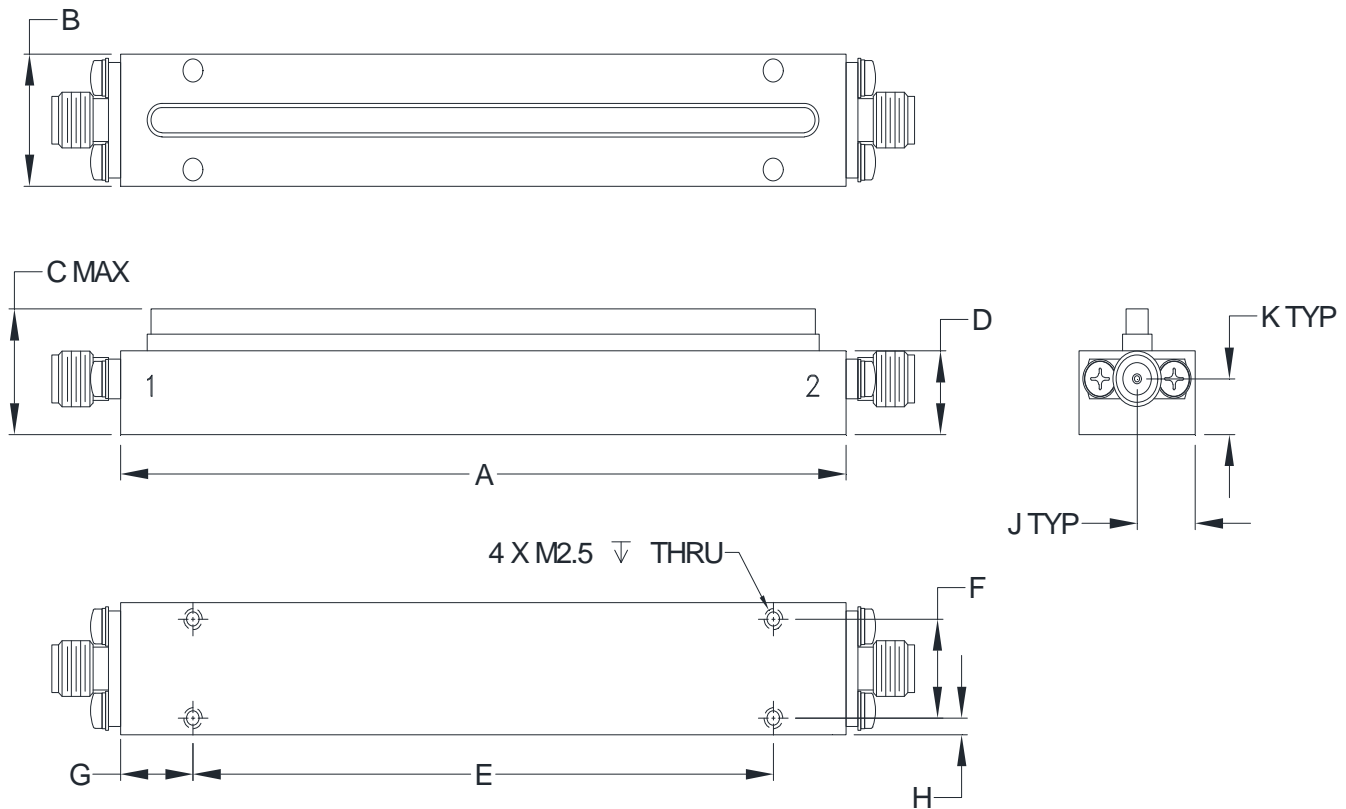


Outline Dimensions

UH3126



CASE#	A	B	C	D	E	F
UH3126	3.94 (100.0)	.63 (16.0)	.60 (15.2)	.40 (10.2)	3.150 (80.00)	.472 (12.00)

CASE#	G	H	J	K	WT.GRAMS
UH3126	.39 (10.0)	.08 (2.0)	.32 (8.0)	.26 (6.7)	122

Dimensions are in inches (mm). Tolerances: 2 Pl. $\pm .100$; 3 Pl. $\pm .015$

Notes:

1. Case material: Brass.
2. Case Finish: Powder coated.
3. Refer to the individual model data sheet for the type of connectors available.

Mini-Circuits®
ISO 9001 ISO 14001 CERTIFIED

ALL NEW
minicircuits.com

P.O. Box 350166, Brooklyn, New York 11235-0003 (718) 934-4500 Fax (718) 332-4661 For detailed performance specs & shopping online see Mini-Circuits web site



The Design Engineers Search Engine Provides ACTUAL Data Instantly From MINI-CIRCUITS At: www.minicircuits.com

RF/IF MICROWAVE COMPONENTS