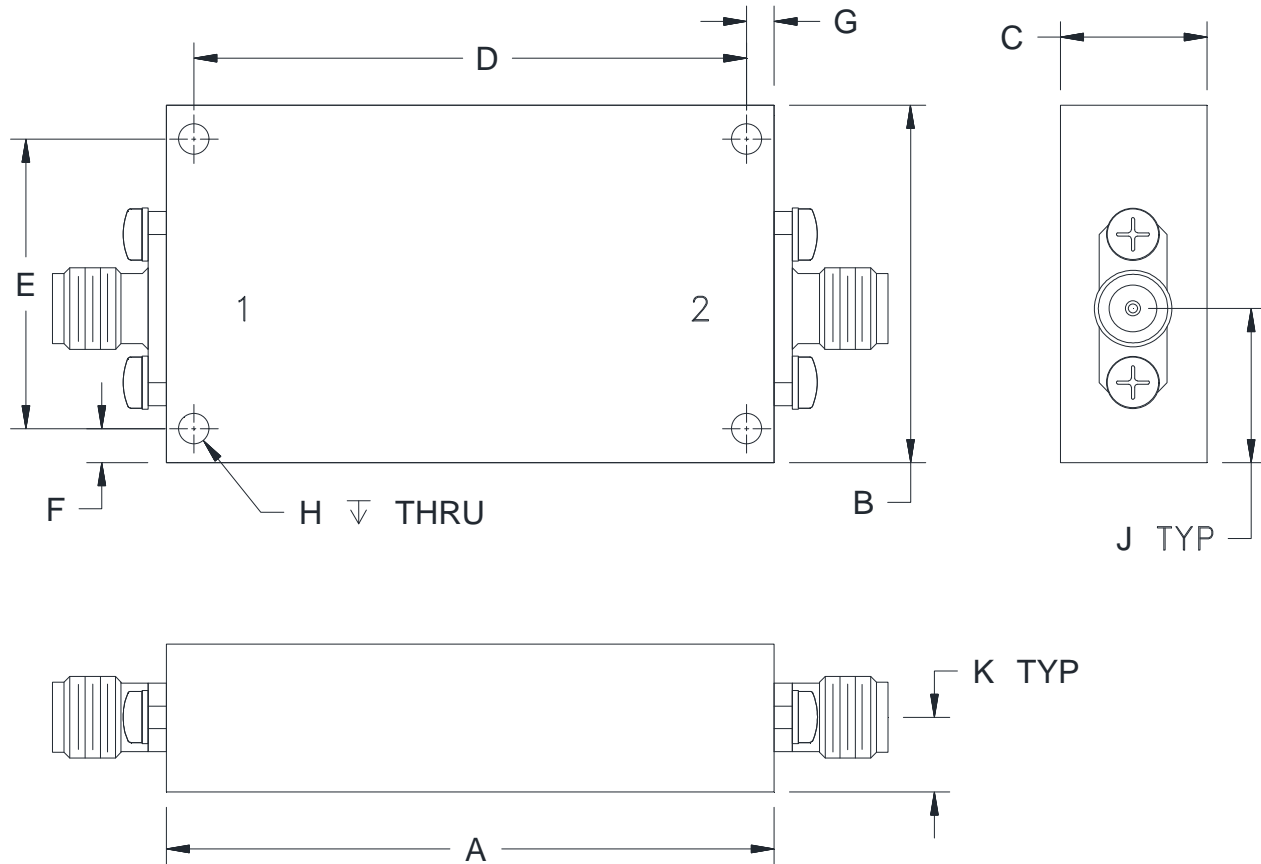


Outline Dimensions

YM3241



CASE#	A	B	C	D	E	F
YM3241	1.99 (50.5)	1.16 (29.5)	.48 (12.2)	1.810 (45.97)	.940 (23.88)	.11 (2.8)

CASE#	G	H	J	K	WT. GRAMS
YM3241	.09 (2.3)	.100 (2.54)	.50 (12.7)	.24 (6.2)	87

Dimensions are in inches (mm). Tolerances: 2 Pl. $\pm .100$; 3 Pl. $\pm .015$

Notes:

1. Case material: Brass.
2. Case Finish: Powder coated.
3. Refer to the individual model data sheet for the type of connectors available.

Mini-Circuits®
ISO 9001 ISO 14001 CERTIFIED

ALL NEW
minicircuits.com

P.O. Box 350166, Brooklyn, New York 11235-0003 (718) 934-4500 Fax (718) 332-4661 For detailed performance specs & shopping online see Mini-Circuits web site



The Design Engineers Search Engine Provides ACTUAL Data Instantly From MINI-CIRCUITS At: www.minicircuits.com

RF/IF MICROWAVE COMPONENTS