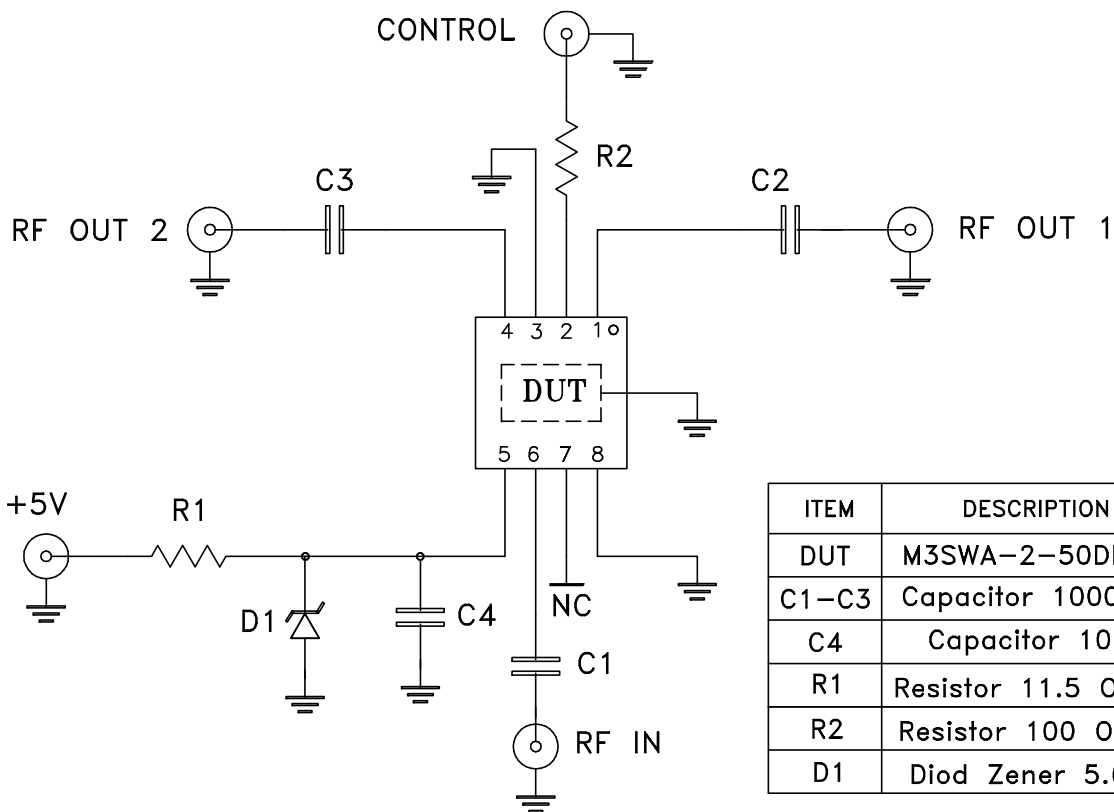
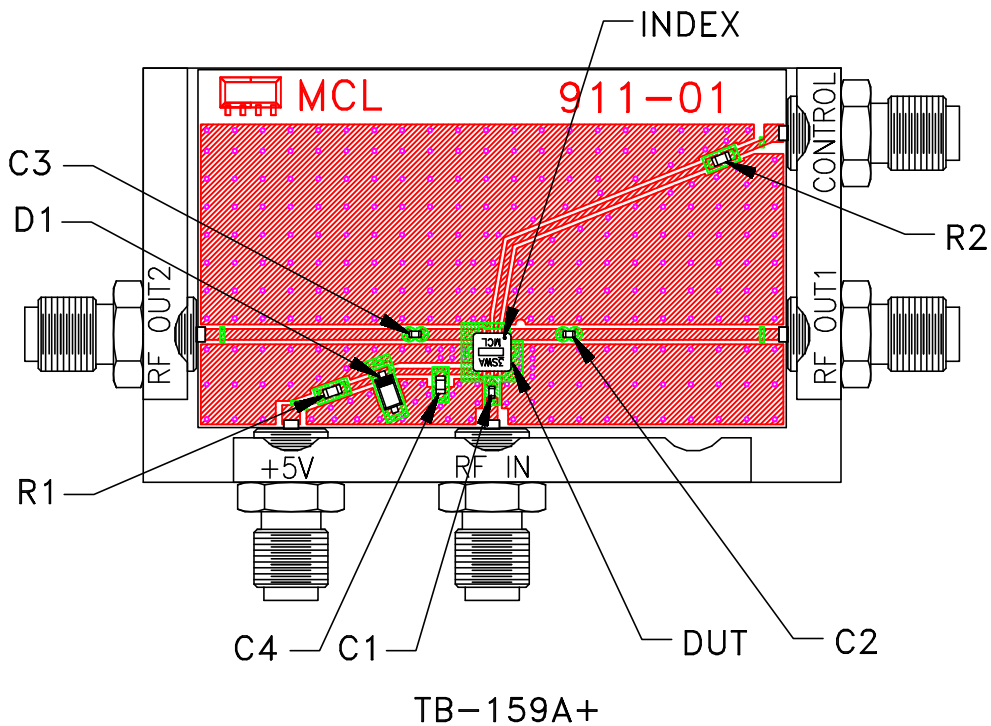


Evaluation Board and Circuit



ITEM	DESCRIPTION	SIZE
DUT	M3SWA-2-50DRA+	3.25X3.25 MM
C1-C3	Capacitor 1000 pF	0402
C4	Capacitor 10pF	0603
R1	Resistor 11.5 Ohm	
R2	Resistor 100 Ohm	
D1	Diod Zener 5.6V	SOT-123

Schematic Diagram

Notes:

1. SMA Female connectors.
2. PCB Material: Rogers R04350 or equivalent, Dielectric Constant=3.5, Thickness=.020 inch.

