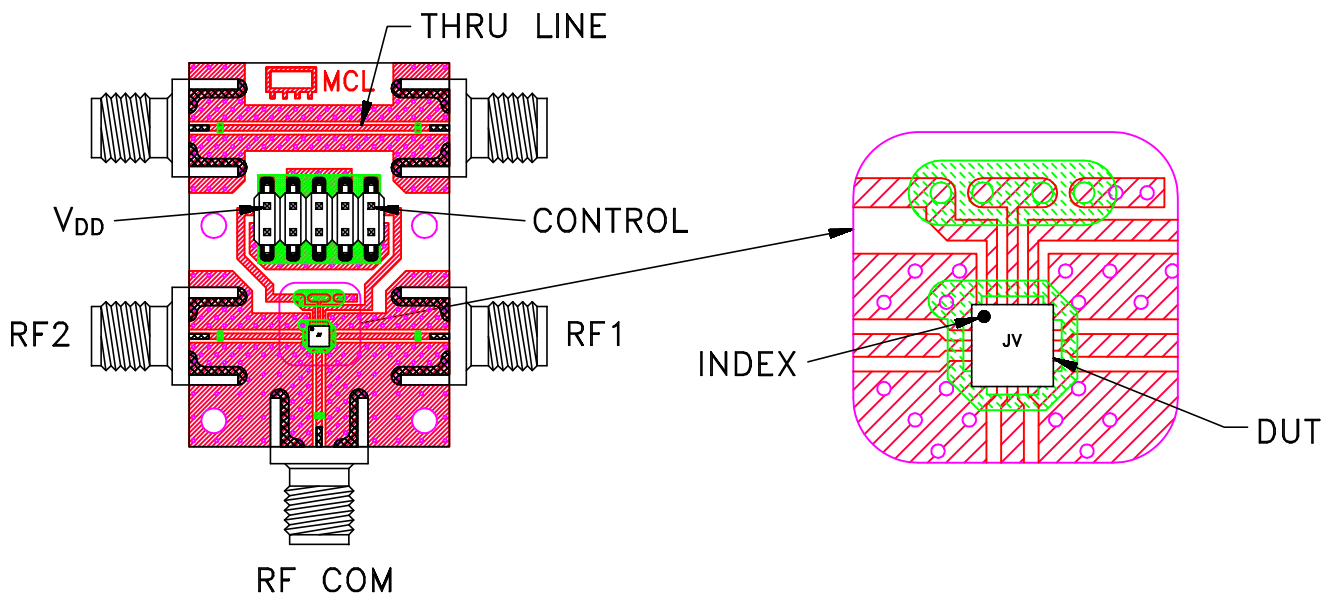
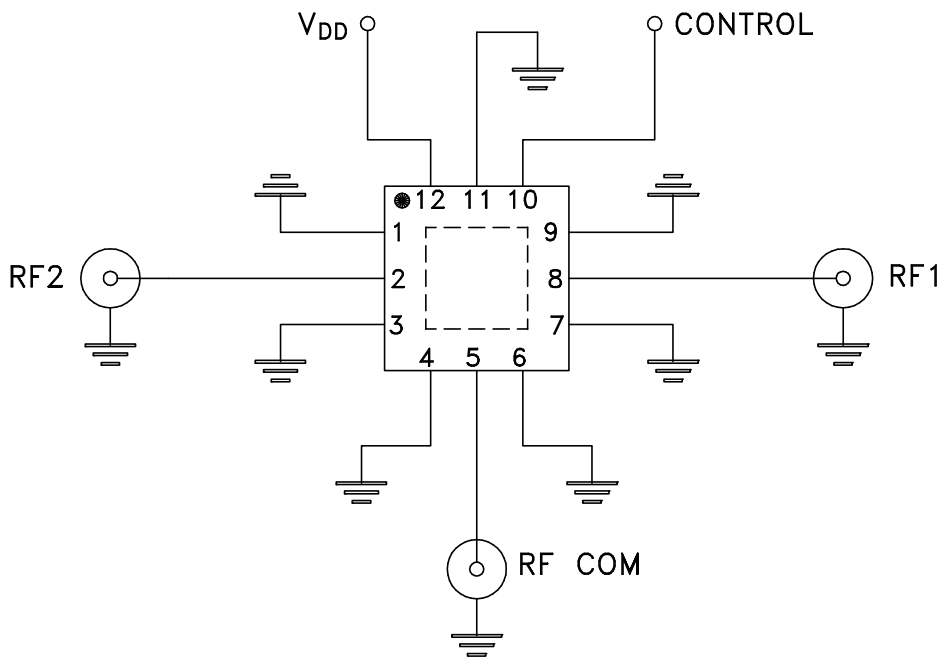


# Evaluation Board and Circuit



TB-949+



COMPONENT	VALUE	SIZE
DUT	JSW2-63VHDRG+	2X2 MM

Schematic Diagram

## Notes:

1. 50 Ohm SMA Female connectors.
2. PCB Material: R04350 or equivalent, Dielectric Constant=3.5, Thickness=.010 inch.

