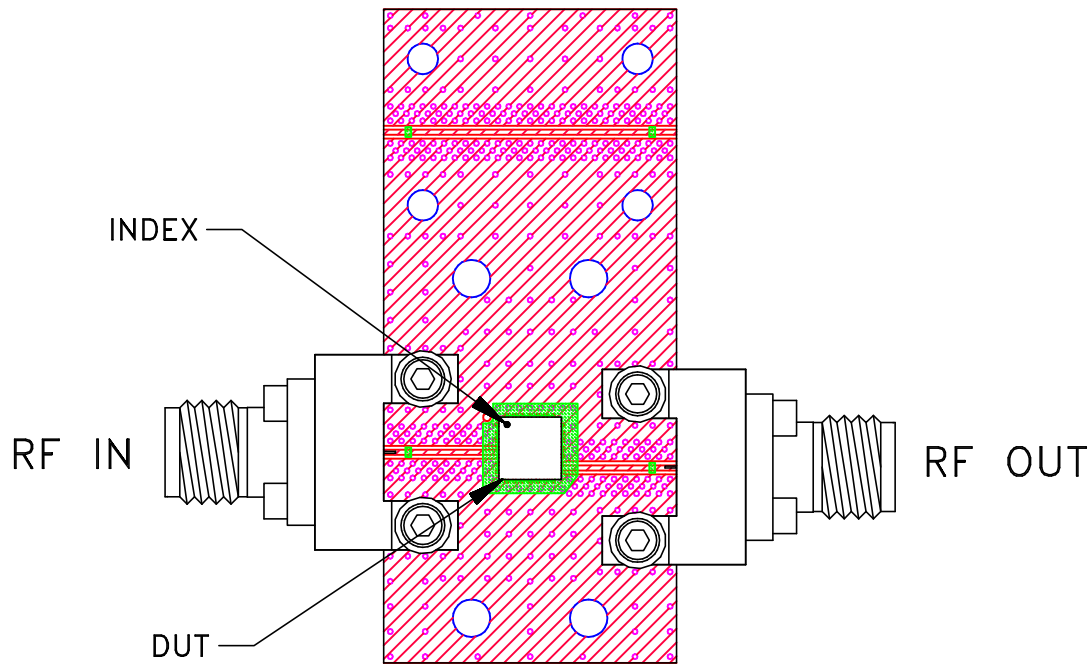
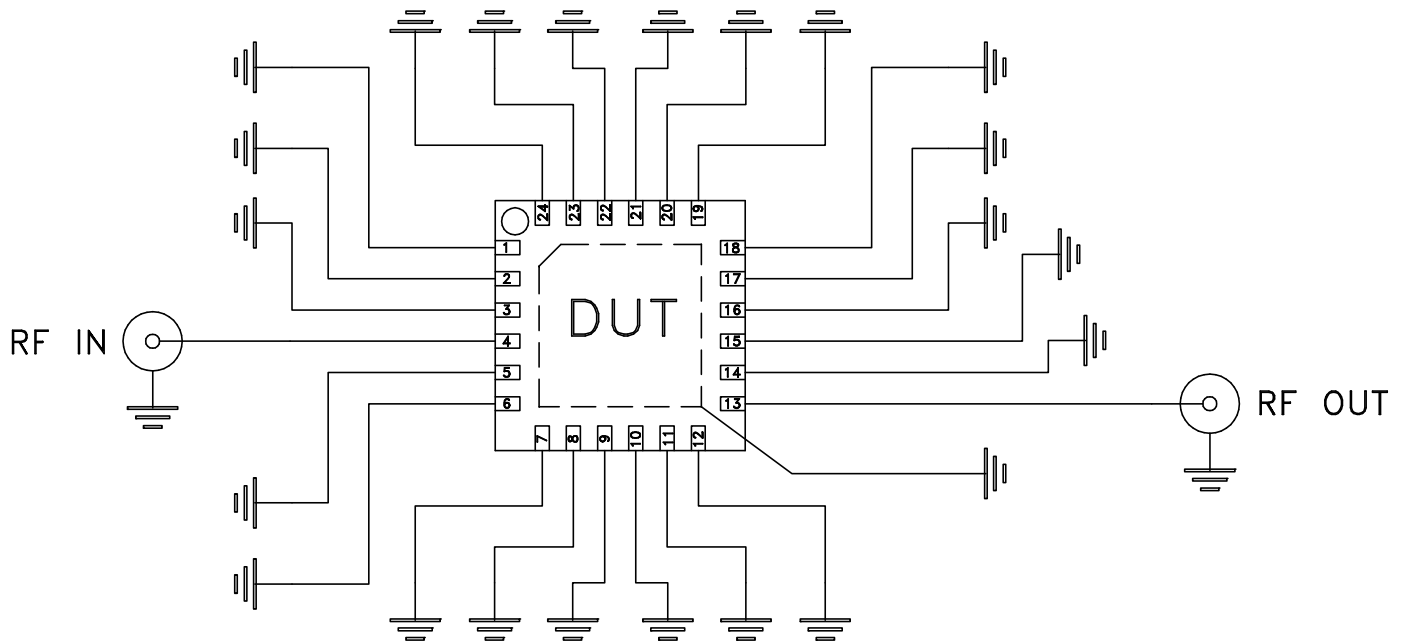


# Evaluation Board and Circuit




TB-968-183+



Schematic Diagram

## Note:

PCB Material: RO4003C or equivalent,  
Dielectric Constant=3.5, Thickness=.008 inch.

 **Mini-Circuits®**