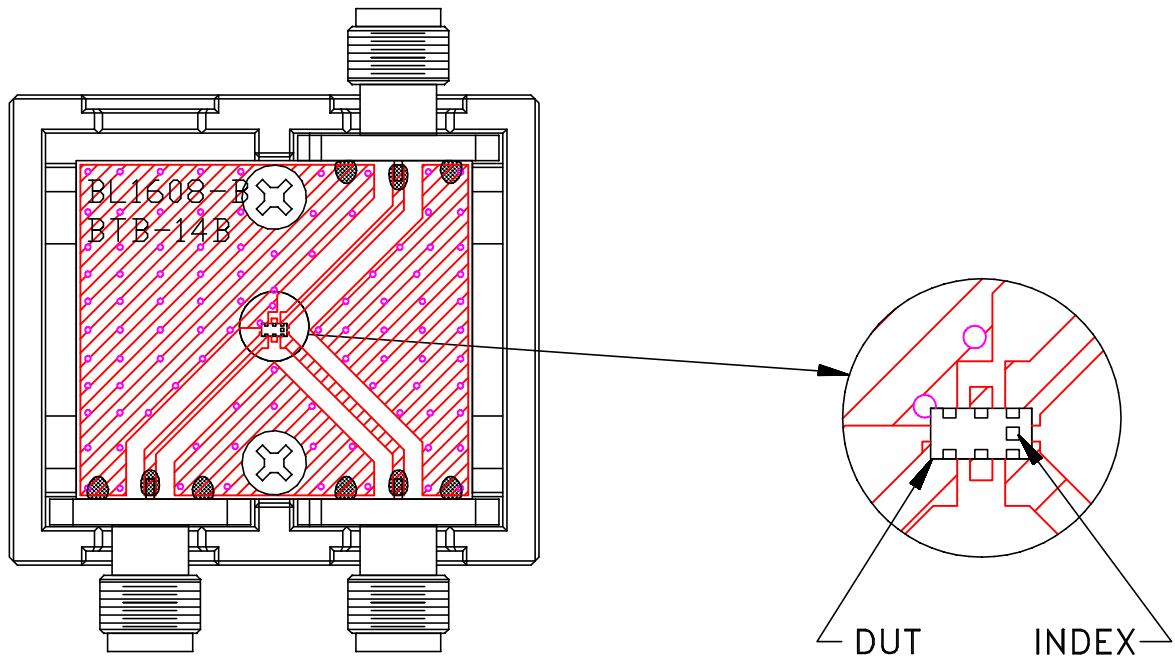


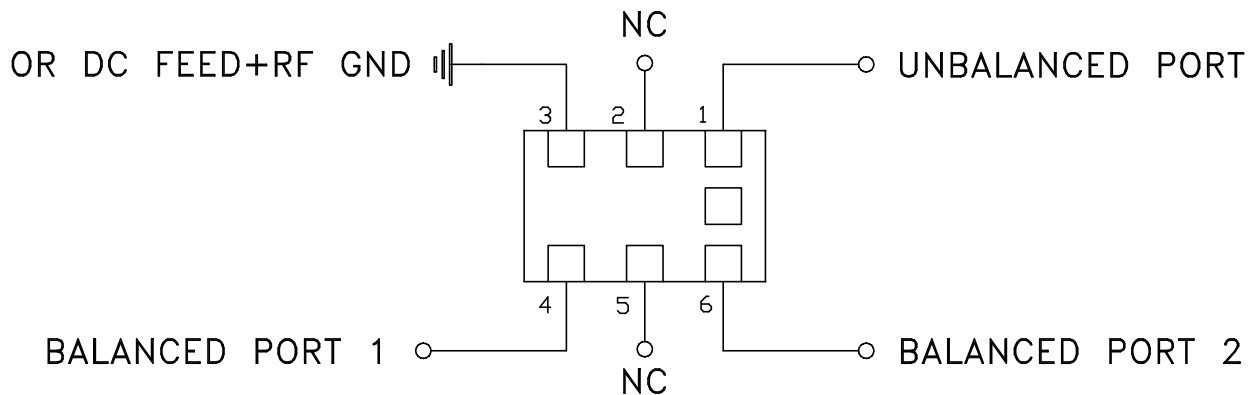
# Evaluation Board and Circuit

UNBALANCED PORT



BALANCED PORT 1      BALANCED PORT 2

TB-1013+



Schematic Diagram

**Notes:**

1. 50 Ohm SMA Female connectors.
2. PCB Material: FR4 or equivalent,  
Dielectric Constant=4.5, Thickness=.016 inch.

