

# 16-Way Active Splitter

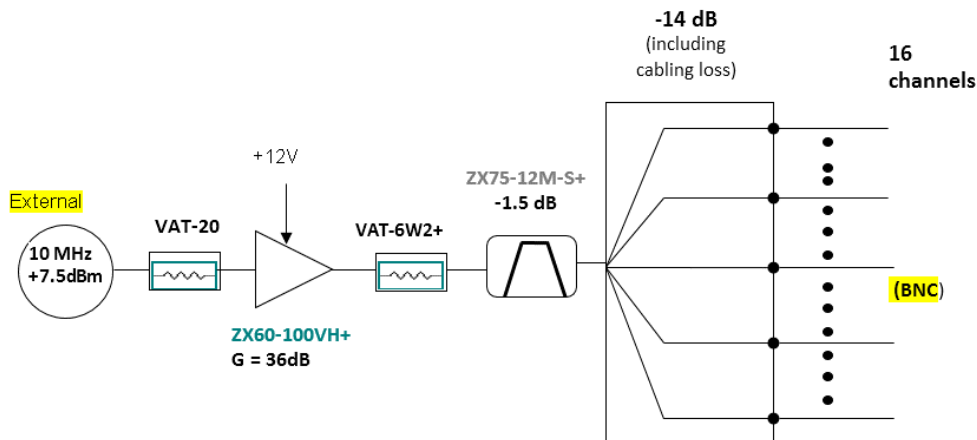
ZT-104

50Ω 10 MHz



## Product Overview

ZT-104 is an active 16-way power splitter optimised for distribution of 10 MHz reference signals. The system provides approximately 6 dB loss per path, with excellent input match to the reference source and high rejection of harmonics. The unit is supplied in a compact benchtop package with built-in AC mains power supply and BNC connectors on all RF ports.



## Electrical Specifications at 25°C, per Splitter

Parameter	Min	Typ	Max	Unit
Frequency		10		MHz
RF Input Power		+7.5		dBm
RF Output Power (Per Channel)	0	+2		dBm
Harmonics Level (f2, f3, f4)		-80	-70	dBc
VSWR (In/Out)		1.2		:1
Operating Temperature	+10		+40	°C

Please contact [testsolutions@minicircuits.com](mailto:testsolutions@minicircuits.com) for support

