



REFLECTIONLESS

High Pass Filter

XHF-252+

Mini-Circuits

50Ω 2460 to 10400 MHz

THE BIG DEAL

- Match to 50Ω in the stop band, eliminates undesired reflections
- Cascadable
- Excellent Power handling
- Temperature stable, up to 105°C
- Small size, 3 x 3 mm
- Protected by US Patent No. 8,392,495



Generic photo used for illustration purposes only

CASE STYLE: DQ1225

+RoHS Compliant

The +Suffix identifies RoHS Compliance. See our website for methodologies and qualifications

APPLICATIONS

- Wi-Fi
- WiMax
- Microwave Radio
- Military & Space

GENERAL DESCRIPTION

Mini-Circuits' XHF-252+ reflectionless filter employs a novel filter topology which absorbs and terminates stop band signals internally rather than reflecting them back to the source. This new capability enables unique applications for filter circuits beyond those suited to traditional approaches. Traditional filters are reflective in the stop band, sending signals back to the source at 100% of the power level. These reflections interact with neighboring components and often result in inter-modulation and other interferences. Reflectionless filters eliminate stop band reflections, allowing them to be paired with sensitive devices and used in applications that otherwise require circuits such as isolation amplifiers or attenuators.

KEY FEATURES

Feature	Advantages
Easy integration with sensitive reflective components, e.g. mixers, multipliers	Reflectionless filters absorb unwanted signals falling in filter stopband, preventing reflections back to the source. This reduces generation of additional unwanted signals without the need for extra components like attenuators, improving system dynamic range and saving board space.
High stopband rejection, up to 50 dB	Ideal for applications where suppression of strong spurious signals and intermodulation products is needed.
Enables stable integration of wideband amplifiers	Because reflectionless filters maintain good impedance in the stopband; they can be integrated with high gain, wideband amplifiers without the risk of creating instabilities in these out of band regions.
Cascadable	Reflectionless filters can be cascaded in multiple sections to provide sharper and higher attenuation, while also preventing any standing waves that could affect passband signals. Low & highpass filters can be cascaded to realize bandpass filters.
Excellent power handling in a tiny surface mount device up to 7W in passband	High power handling extends the usability of these filters to the transmit path for inter-stage filtering.
Small size, 3x3mm QFN-Style	Allows replacement of filter/attenuator pairs with a single reflectionless filter, saving board space.
Excellent repeatability of RF performance	Through semiconductor IPD process, X-series filters are inherently repeatable for large volume production.
Operating temperature up to 105 °C	Suitable for operation close to high power components.

IPD – Integrated Passive Device, is a GaAs semiconductor process





REFLECTIONLESS

High Pass Filter

XHF-252+

Mini-Circuits

50Ω 2460 to 10400 MHz

ELECTRICAL SPECIFICATIONS¹ AT +25°C

Parameter	F#	Frequency (MHz)	Min.	Typ.	Max.	Unit	
Stop Band	Rejection	DC-F1	DC-1520	12	14	—	dB
	Frequency Cut-off	F2	2030	—	3.0	—	dB
	VSWR	DC - F1	DC-1520	—	1.2	—	:1
Pass Band	Insertion Loss	F3-F5	2460 -10400	—	1.0	1.8	dB
	VSWR	F3-F4	2460 - 3700	—	1.5	—	:1
		F4-F5	3700 - 10400	—	1.7	—	:1

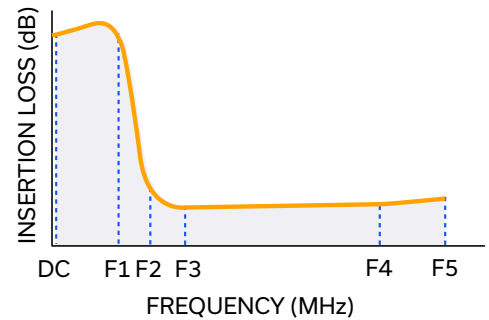
1. Measured on Mini-Circuits Characterization Test Board TB-844-252H+

ABSOLUTE MAXIMUM RATINGS²

Parameter	Ratings
Operating Temperature	-55°C to +105°C
Storage Temperature	-65°C to +150°C
RF Power Input, Passband (F3-F5) ³	2 W at +25°C
RF Power Input, Stopband (DC-F3) ⁴	0.5 W at +25°C

- 2. Permanent damage may occur if any of these limits are exceeded.
- 3. Passband rating derates linearly to 1 W at 105°C ambient
- 4. Stopband rating derates linearly to 0.25 W at 105°C ambient

SPECIFICATION DEFINITION





REFLECTIONLESS

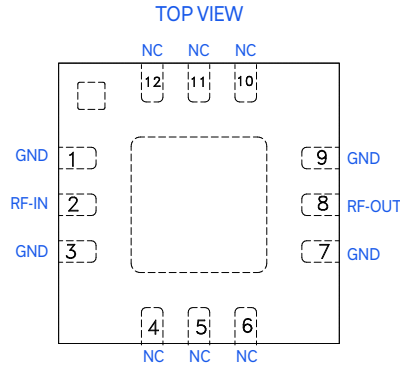
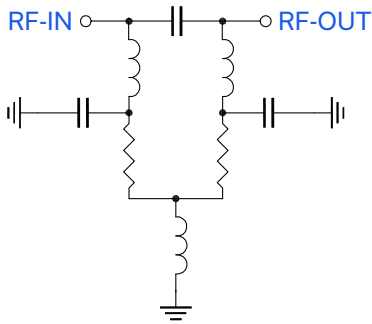
High Pass Filter

XHF-252+

Mini-Circuits

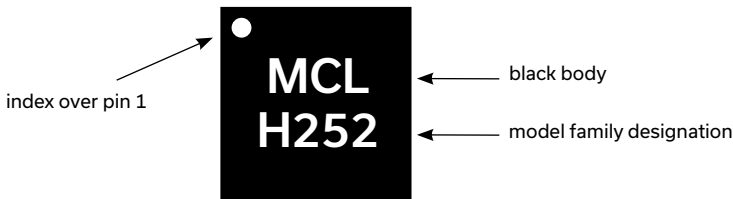
50Ω 2460 to 10400 MHz

SIMPLIFIED SCHEMATIC AND PAD DESCRIPTION



Function	Pad Number	Description
RF-IN	2	RF Input Pad
RF-OUT	8	RF Output Pad
GND	1,3,7,9, Paddle	Connected to ground
NC (GND Externally)	4,5,6,10,11,12	No internal connection

PRODUCT MARKING



Marking may contain other features or characters for internal lot control





REFLECTIONLESS

High Pass Filter

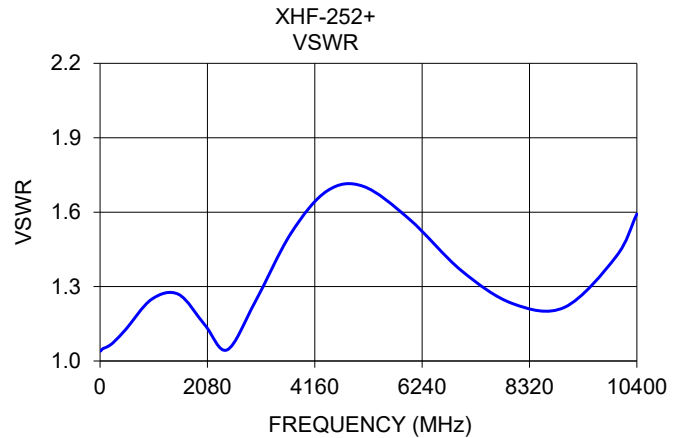
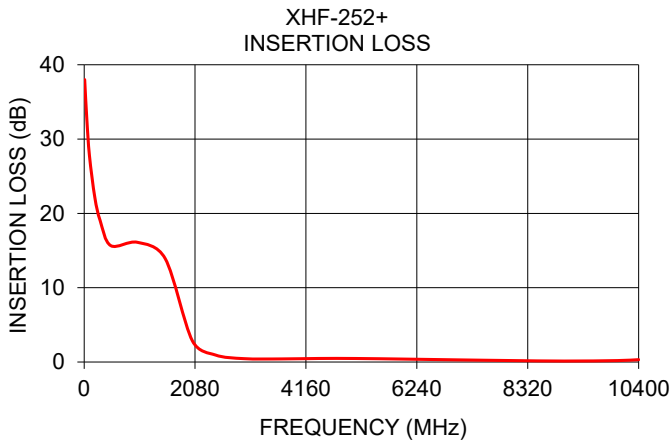
XHF-252+

Mini-Circuits

50Ω 2460 to 10400 MHz

TYPICAL PERFORMANCE DATA AT +25°C

Frequency (MHz)	Insertion Loss (dB)	VSWR (:1)
10	38.00	1.04
50	32.70	1.05
100	27.74	1.05
200	22.16	1.06
300	19.04	1.08
500	15.66	1.13
1000	16.11	1.25
1520	13.92	1.27
2030	2.86	1.15
2460	0.95	1.04
3000	0.46	1.24
3700	0.42	1.52
4400	0.48	1.69
5100	0.48	1.70
6000	0.40	1.57
7000	0.30	1.36
8000	0.20	1.23
9000	0.14	1.22
10000	0.20	1.42
10400	0.32	1.59





REFLECTIONLESS

High Pass Filter

XHF-252+

Mini-Circuits

50Ω 2460 to 10400 MHz

ADDITIONAL DETAILED TECHNICAL INFORMATION IS AVAILABLE ON OUR DASH BOARD. TO ACCESS [CLICK HERE](#)

Performance Data & Graphs	Table
	Graphs
	S-Parameter (S2P Files) Data Set (.zip file)
Case Style	DQ1225 Plastic package, exposed paddle lead finish: matte-tin
Tape & Reel Standard quantities available on reel	F66 7" reels with 20, 50, 100, 200, 500, 1000, 2000 or 3000 devices
Suggested Layout for PCB Design	PL-451+
Evaluation Board	TB-844-252H+ (without connectors) TB-844-252HC+ (with connectors) B20-118-F1+ Connector sold separately.
Environmental Ratings	ENV82

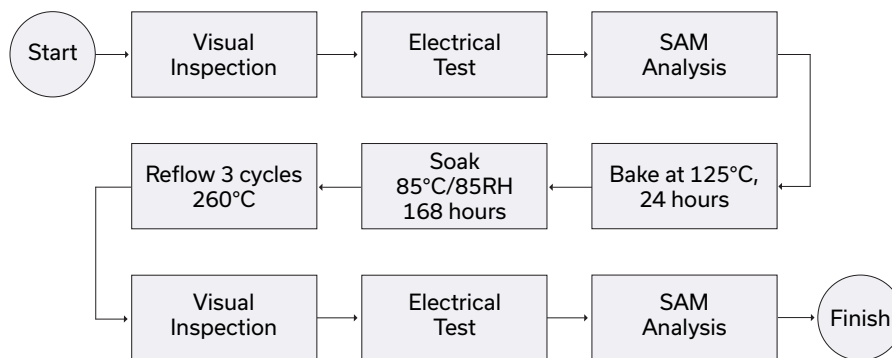
ESD RATING

Human body model (HBM): Class 2 (2000 to < 4000 V) in accordance with ANSI/ESD 5.1-2001

MSL RATING

Moisture Sensitivity: MSL1 in accordance with IPC/JEDEC J-STD-020D

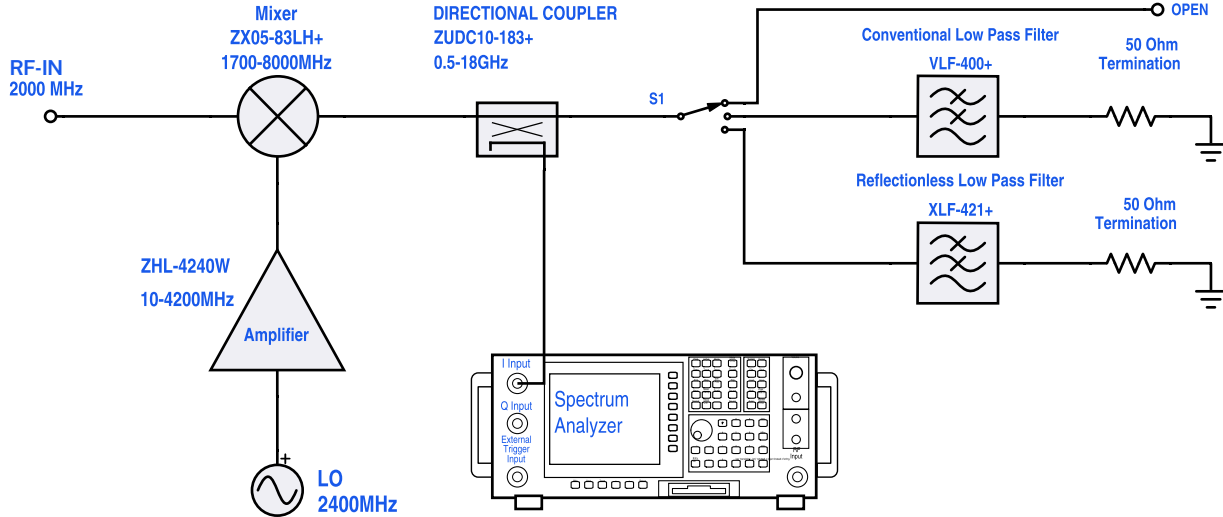
MSL TEST FLOW CHART





REFLECTIONLESS FILTER APPLICATION NOTE

Application Circuit Example: Pairing mixers with reflectionless filters to improve system dynamic range



Test block diagram: IF output reflection spectrum with single input frequency

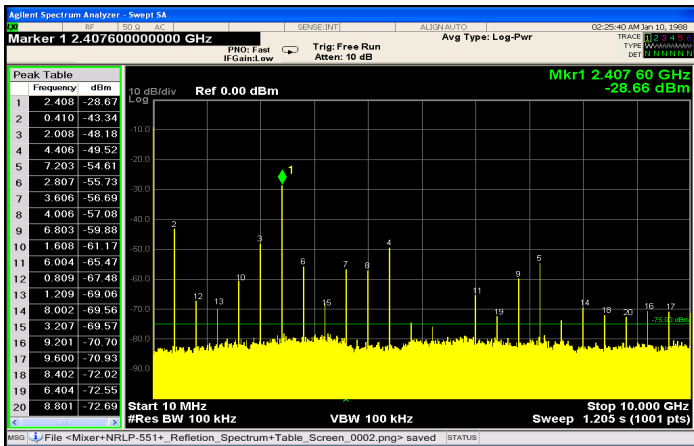


Figure 1. IF output reflection spectrum without filter

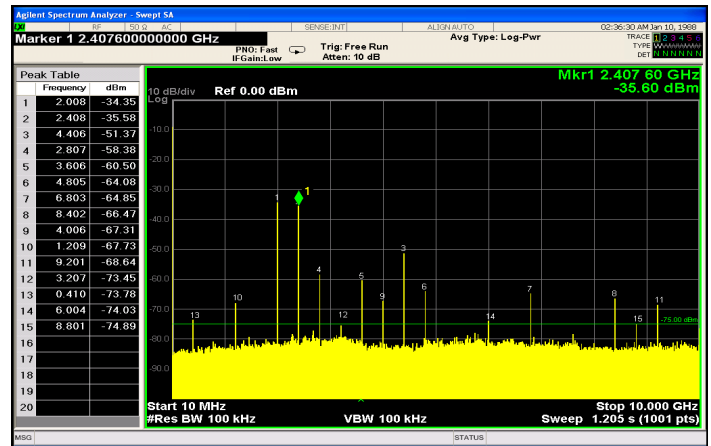


Figure 2. IF output reflection spectrum with conventional filter

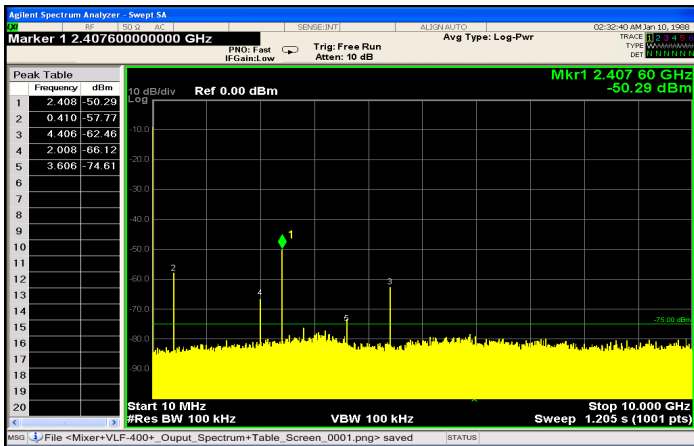


Figure 3. IF output reflection spectrum with reflectionless filter

An application circuit was assembled to measure the IF reflection spectrum at the output of a mixer when the mixer was paired with a conventional filter versus a reflectionless filter.

While the conventional filter reduces the reflections present when the mixer is used alone (no filter), the reflectionless filter virtually eliminates those reflections altogether.

The reflected signal at marker 1 in the figures above exhibits a reduction of more than 20 dB from -28.7 dBm to -50.3 dBm when the reflectionless filter is used as compared to the conventional filter, thus eliminating unwanted spurious mixing products and improving system dynamic range.

For more information, refer to application note [AN-75-007](#)

NOTES

- A. Performance and quality attributes and conditions not expressly stated in this specification document are intended to be excluded and do not form a part of this specification document.
- B. Electrical specifications and performance data contained in this specification document are based on Mini-Circuit's applicable established test performance criteria and measurement instructions.
- C. The parts covered by this specification document are subject to Mini-Circuits standard limited warranty and terms and conditions (collectively, "Standard Terms"); Purchasers of this part are entitled to the rights and benefits contained therein. For a full statement of the standard terms and the exclusive rights and remedies thereunder, please visit Mini-Circuits' website at www.minicircuits.com/MCLStore/terms.jsp

Typical Performance Data

FREQ. (MHz)	INSERTION LOSS					GROUP DELAY				
	(dB)					(nsec)				
	@-55°C	@-40°C	@+25°C	@+85°C	@+105°C	@-55°C	@-40°C	@+25°C	@+85°C	@+105°C
10	40.40	40.01	39.14	37.45	37.45	-3.06	-3.52	-2.26	-3.60	-1.77
50	33.24	33.36	32.67	32.28	32.28	-1.63	-1.91	-1.44	-1.98	-1.19
100	27.81	27.77	27.72	27.68	27.52	-0.13	-0.11	-0.22	-0.27	-0.28
200	22.19	22.21	22.23	22.19	22.22	0.29	0.27	0.23	0.23	0.21
400	17.05	17.08	17.13	17.13	17.17	0.35	0.34	0.34	0.32	0.33
600	14.88	14.90	14.98	15.02	15.04	0.36	0.35	0.34	0.34	0.34
800	14.44	14.48	14.58	14.68	14.71	0.36	0.36	0.35	0.34	0.34
1000	16.01	16.07	16.26	16.40	16.44	0.35	0.35	0.33	0.32	0.32
1100	18.15	18.21	18.52	18.69	18.76	0.33	0.32	0.29	0.26	0.24
1200	22.45	22.55	23.01	23.31	23.39	0.15	0.12	-0.02	-0.15	-0.20
1300	35.59	35.37	33.88	32.22	31.78	-3.08	-3.04	-2.78	-2.55	-2.46
1400	22.70	22.54	21.90	21.35	21.17	-0.25	-0.24	-0.25	-0.23	-0.24
1500	15.43	15.37	15.15	14.93	14.89	0.36	0.36	0.33	0.31	0.30
1520	14.41	14.38	14.19	14.00	13.95	0.39	0.38	0.35	0.34	0.33
1600	11.12	11.10	11.02	10.93	10.90	0.44	0.43	0.42	0.40	0.40
1700	8.12	8.13	8.14	8.11	8.11	0.46	0.46	0.44	0.44	0.43
1800	5.95	5.96	6.02	6.05	6.06	0.47	0.46	0.45	0.44	0.44
1900	4.38	4.40	4.50	4.56	4.58	0.45	0.45	0.44	0.43	0.43
2000	3.25	3.28	3.40	3.48	3.51	0.43	0.43	0.42	0.42	0.41
2030	2.98	3.01	3.14	3.22	3.25	0.43	0.42	0.41	0.41	0.41
2100	2.45	2.49	2.63	2.71	2.74	0.41	0.41	0.40	0.39	0.39
2200	1.89	1.93	2.08	2.17	2.20	0.38	0.38	0.37	0.37	0.37
2300	1.49	1.53	1.69	1.78	1.81	0.36	0.36	0.35	0.35	0.34
2400	1.21	1.26	1.42	1.51	1.54	0.34	0.34	0.33	0.33	0.33
2460	1.08	1.13	1.29	1.38	1.42	0.33	0.33	0.32	0.32	0.31
2500	1.02	1.06	1.22	1.32	1.35	0.32	0.32	0.31	0.31	0.31
2600	0.88	0.92	1.08	1.18	1.21	0.31	0.31	0.30	0.30	0.29
2700	0.77	0.81	0.98	1.07	1.11	0.29	0.29	0.28	0.28	0.28
2800	0.71	0.75	0.92	1.01	1.05	0.28	0.28	0.27	0.27	0.27
2900	0.67	0.71	0.88	0.97	1.00	0.27	0.27	0.26	0.26	0.26
3000	0.64	0.68	0.84	0.94	0.97	0.26	0.26	0.25	0.25	0.25
3100	0.62	0.66	0.83	0.92	0.96	0.25	0.25	0.25	0.25	0.25
3200	0.61	0.66	0.83	0.91	0.94	0.25	0.25	0.24	0.24	0.24
3300	0.62	0.66	0.83	0.91	0.94	0.24	0.24	0.24	0.24	0.23
3400	0.63	0.67	0.84	0.92	0.95	0.24	0.24	0.23	0.23	0.23
3500	0.64	0.68	0.85	0.93	0.96	0.23	0.23	0.23	0.23	0.23
3600	0.65	0.70	0.86	0.94	0.97	0.23	0.23	0.22	0.22	0.22
3700	0.67	0.71	0.87	0.95	0.98	0.22	0.23	0.22	0.22	0.22
3800	0.69	0.74	0.89	0.98	1.00	0.22	0.22	0.22	0.22	0.22
3900	0.71	0.75	0.91	0.98	1.01	0.22	0.22	0.21	0.21	0.21
4000	0.73	0.77	0.93	1.01	1.05	0.22	0.22	0.21	0.21	0.21
4200	0.75	0.80	0.95	1.04	1.08	0.21	0.21	0.21	0.21	0.21
4400	0.75	0.80	0.97	1.06	1.10	0.21	0.21	0.20	0.20	0.20
4600	0.77	0.82	1.00	1.10	1.14	0.21	0.21	0.20	0.20	0.20
4800	0.78	0.82	1.01	1.12	1.16	0.20	0.20	0.20	0.20	0.20
5000	0.77	0.82	1.01	1.14	1.18	0.20	0.20	0.20	0.20	0.20
5200	0.76	0.81	1.01	1.14	1.20	0.20	0.20	0.20	0.19	0.19
5400	0.74	0.79	1.00	1.14	1.20	0.20	0.20	0.19	0.20	0.19
5600	0.70	0.76	0.98	1.14	1.19	0.20	0.20	0.19	0.19	0.19
5800	0.69	0.74	0.97	1.13	1.19	0.20	0.20	0.20	0.19	0.19
6000	0.67	0.73	0.97	1.13	1.19	0.20	0.20	0.19	0.19	0.19
6200	0.65	0.70	0.94	1.10	1.16	0.20	0.20	0.19	0.19	0.19
6400	0.64	0.69	0.93	1.09	1.15	0.20	0.20	0.20	0.19	0.19
6600	0.63	0.68	0.93	1.08	1.14	0.20	0.20	0.19	0.19	0.19
6800	0.62	0.68	0.92	1.07	1.12	0.20	0.20	0.19	0.19	0.19
7000	0.62	0.68	0.91	1.06	1.11	0.20	0.20	0.19	0.19	0.19
7200	0.63	0.69	0.92	1.06	1.09	0.20	0.20	0.19	0.19	0.19
7400	0.61	0.67	0.92	1.05	1.09	0.20	0.20	0.19	0.19	0.19
7600	0.59	0.65	0.90	1.04	1.09	0.20	0.20	0.19	0.19	0.19
7800	0.58	0.65	0.90	1.05	1.10	0.20	0.20	0.19	0.19	0.19
8000	0.59	0.65	0.90	1.06	1.11	0.20	0.20	0.19	0.19	0.19
8200	0.59	0.65	0.91	1.07	1.13	0.20	0.20	0.19	0.19	0.19
8400	0.59	0.65	0.92	1.09	1.15	0.20	0.20	0.19	0.19	0.19
8600	0.59	0.66	0.94	1.11	1.17	0.20	0.20	0.19	0.19	0.19
8800	0.60	0.67	0.96	1.13	1.20	0.20	0.20	0.19	0.19	0.19
9000	0.60	0.67	0.97	1.15	1.23	0.20	0.20	0.19	0.19	0.19
9200	0.61	0.69	1.00	1.19	1.27	0.20	0.20	0.19	0.19	0.19
9400	0.63	0.70	1.03	1.23	1.31	0.20	0.20	0.19	0.19	0.19
9600	0.64	0.72	1.07	1.27	1.35	0.20	0.20	0.19	0.19	0.19
9800	0.68	0.75	1.11	1.32	1.42	0.20	0.20	0.19	0.19	0.19
10000	0.72	0.80	1.16	1.38	1.47	0.20	0.20	0.20	0.19	0.19
10400	0.89	0.95	1.31	1.55	1.64	0.20	0.20	0.19	0.19	0.19
10500	0.93	1.00	1.35	1.59	1.68	0.20	0.20	0.19	0.19	0.19
11000	1.29	1.35	1.65	1.89	1.96	0.20	0.20	0.19	0.19	0.19
11500	1.76	1.82	2.06	2.28	2.34	0.19	0.19	0.19	0.19	0.19
12000	2.23	2.29	2.56	2.78	2.84	0.19	0.19	0.19	0.19	0.19



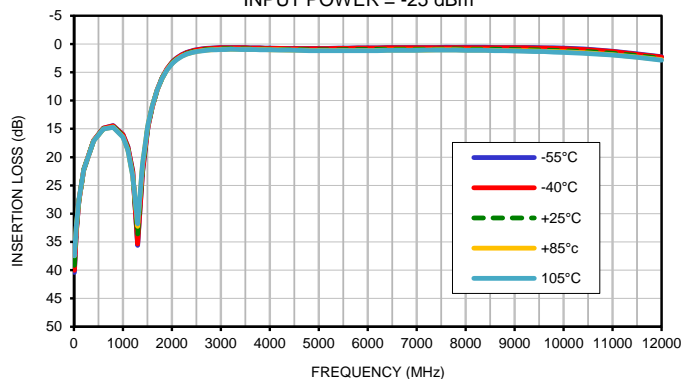
Typical Performance Data

FREQ. (MHz)	INPUT RETURN LOSS					OUTPUT RETURN LOSS				
	(dB)					(dB)				
	@-55°C	@-40°C	@+25°C	@+85°C	@+105°C	@-55°C	@-40°C	@+25°C	@+85°C	@+105°C
10	34.79	34.91	32.47	30.60	30.48	35.21	34.71	33.08	30.67	31.05
50	35.25	34.63	33.20	31.41	30.98	33.97	33.48	32.42	31.42	31.23
100	32.92	32.83	32.09	31.01	30.53	32.28	32.09	32.20	31.93	31.71
200	31.05	30.89	30.09	29.31	28.99	31.33	31.14	30.30	29.49	29.13
400	26.49	26.42	26.12	25.72	25.62	27.13	26.93	26.34	26.09	25.85
600	23.56	23.53	23.20	23.03	22.96	24.03	23.92	23.49	23.19	23.07
800	21.24	21.23	20.99	20.90	20.87	21.57	21.53	21.18	20.80	20.63
1000	19.35	19.38	19.20	19.08	19.06	19.56	19.54	19.31	19.18	19.10
1100	18.65	18.65	18.57	18.48	18.44	18.76	18.78	18.60	18.42	18.35
1200	18.13	18.12	18.08	18.00	17.95	18.08	18.12	18.08	18.01	17.98
1300	17.81	17.82	17.84	17.76	17.73	17.72	17.77	17.83	17.79	17.74
1400	17.82	17.85	17.95	17.86	17.82	17.61	17.67	17.84	17.83	17.79
1500	18.24	18.29	18.45	18.36	18.32	17.97	18.03	18.25	18.29	18.32
1520	18.35	18.42	18.57	18.47	18.44	18.04	18.15	18.36	18.42	18.46
1600	19.02	19.08	19.26	19.15	19.10	18.54	18.63	18.98	19.01	19.02
1700	20.12	20.16	20.31	20.19	20.13	19.42	19.52	20.00	20.02	20.01
1800	21.10	21.14	21.40	21.24	21.22	20.38	20.50	21.01	21.08	21.11
1900	21.70	21.76	22.22	22.14	22.12	21.11	21.20	21.91	22.03	22.02
2000	22.23	22.33	22.98	23.08	23.07	21.66	21.84	22.73	22.94	22.96
2030	22.41	22.55	23.29	23.41	23.39	21.97	22.13	23.12	23.39	23.41
2100	23.19	23.37	24.28	24.46	24.46	22.64	22.87	23.98	24.34	24.41
2200	24.60	24.84	26.05	26.28	26.31	24.11	24.30	25.67	26.22	26.13
2300	27.14	27.43	28.89	28.77	28.62	26.26	26.55	28.05	28.51	28.43
2400	31.51	31.81	32.62	31.15	30.27	29.22	29.56	30.37	29.96	29.72
2460	35.58	35.66	33.90	31.09	30.33	30.76	31.00	31.04	29.96	29.49
2500	38.27	37.61	33.12	30.40	29.70	31.22	31.17	30.54	29.23	28.65
2600	33.74	32.84	29.47	27.74	27.23	29.93	29.58	28.34	27.12	26.74
2700	28.15	27.77	26.10	25.17	24.93	26.65	26.38	25.49	24.68	24.41
2800	24.50	24.28	23.25	22.76	22.60	23.77	23.63	22.96	22.47	22.27
2900	22.14	21.99	21.27	20.99	20.90	21.66	21.50	21.09	20.79	20.67
3000	20.20	20.14	19.70	19.56	19.57	19.91	19.83	19.61	19.44	19.42
3100	18.69	18.63	18.37	18.35	18.35	18.46	18.42	18.36	18.28	18.27
3200	17.57	17.53	17.31	17.37	17.42	17.33	17.32	17.25	17.29	17.34
3300	16.61	16.57	16.45	16.56	16.65	16.38	16.39	16.43	16.52	16.59
3400	15.65	15.62	15.62	15.75	15.84	15.51	15.52	15.63	15.75	15.84
3500	14.95	14.95	14.99	15.15	15.23	14.82	14.84	15.01	15.17	15.25
3600	14.35	14.36	14.41	14.58	14.68	14.19	14.23	14.42	14.60	14.70
3700	13.79	13.80	13.93	14.10	14.19	13.63	13.65	13.92	14.14	14.22
3800	13.28	13.29	13.46	13.68	13.79	13.11	13.15	13.47	13.72	13.84
3900	12.88	12.89	13.12	13.33	13.44	12.70	12.76	13.10	13.33	13.46
4000	12.56	12.57	12.79	12.95	13.05	12.38	12.42	12.78	12.99	13.09
4200	12.04	12.06	12.28	12.42	12.50	11.87	11.94	12.28	12.45	12.53
4400	11.82	11.83	11.99	12.04	12.12	11.65	11.70	11.97	12.06	12.13
4600	11.62	11.64	11.76	11.76	11.81	11.46	11.49	11.74	11.77	11.82
4800	11.55	11.56	11.68	11.62	11.65	11.38	11.42	11.64	11.61	11.63
5000	11.65	11.67	11.69	11.54	11.53	11.53	11.56	11.67	11.54	11.54
5200	11.80	11.82	11.80	11.58	11.55	11.68	11.73	11.79	11.60	11.55
5400	12.10	12.13	12.03	11.75	11.67	11.95	12.01	11.97	11.69	11.61
5600	12.50	12.52	12.33	11.98	11.86	12.42	12.45	12.29	11.94	11.83
5800	12.93	12.97	12.71	12.30	12.16	12.72	12.77	12.60	12.17	12.02
6000	13.34	13.39	13.12	12.70	12.55	13.10	13.17	12.98	12.58	12.40
6200	13.91	13.95	13.69	13.21	13.03	13.60	13.70	13.53	13.07	12.87
6400	14.43	14.48	14.24	13.82	13.64	14.05	14.14	14.08	13.68	13.49
6600	14.95	15.01	14.92	14.53	14.40	14.42	14.56	14.69	14.34	14.19
6800	15.41	15.51	15.59	15.34	15.24	14.82	15.02	15.35	15.16	15.07
7000	15.89	16.00	16.29	16.18	16.18	15.24	15.46	16.05	16.02	16.03
7200	16.26	16.39	16.98	17.11	17.18	15.61	15.83	16.73	16.93	17.07
7400	16.76	16.83	17.51	17.97	18.12	16.04	16.22	17.26	17.75	18.08
7600	17.53	17.56	18.21	18.83	19.10	16.67	16.80	17.88	18.72	19.11
7800	18.20	18.20	18.89	19.67	20.00	17.43	17.51	18.63	19.61	20.09
8000	18.59	18.56	19.37	20.27	20.60	17.90	17.98	19.21	20.41	21.04
8200	19.06	19.00	19.79	20.54	20.79	18.43	18.52	19.67	20.85	21.33
8400	19.56	19.47	20.02	20.50	20.68	19.22	19.23	20.07	20.84	21.29
8600	20.01	19.86	20.16	20.48	20.54	19.71	19.67	20.25	21.00	21.25
8800	20.33	20.11	20.02	19.96	19.88	20.23	20.11	20.18	20.37	20.42
9000	20.94	20.57	19.69	19.26	19.01	21.10	20.82	19.96	19.64	19.45
9200	20.98	20.53	19.09	18.39	18.04	21.36	20.95	19.52	18.87	18.56
9400	20.70	20.16	18.29	17.47	17.08	21.34	20.76	18.72	17.92	17.56
9600	19.84	19.33	17.32	16.43	16.02	20.65	20.09	17.89	16.91	16.51
9800	18.36	17.99	16.27	15.46	15.06	18.92	18.56	16.75	15.91	15.59
10000	16.62	16.40	15.12	14.43	14.12	17.22	16.93	15.70	14.95	14.67
10400	13.40	13.38	12.95	12.46	12.32	13.69	13.72	13.46	12.97	12.77
10500	12.67	12.70	12.45	12.03	11.94	12.95	12.99	12.97	12.59	12.40
11000	9.47	9.60	10.01	9.97	10.03	9.71	9.83	10.58	10.65	10.66
11500	7.43	7.55	8.13	8.30	8.44	7.61	7.72	8.64	8.96	9.12
12000	6.20	6.29	6.71	6.94	7.07	6.47	6.49	7.19	7.50	7.63

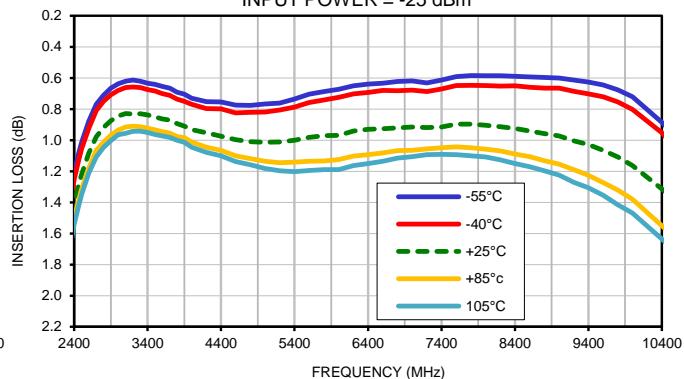


Typical Performance Curves

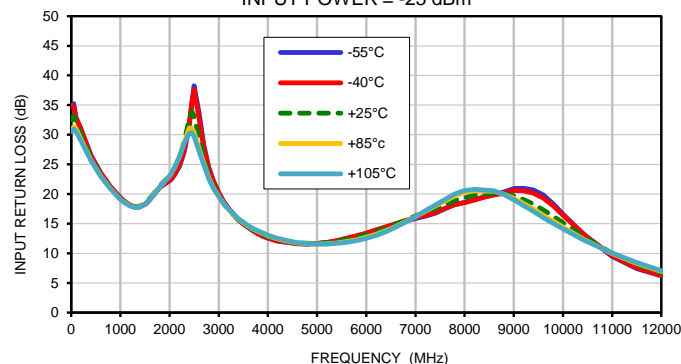
INSERTION LOSS vs. TEMPERATURE (Full band)
INPUT POWER = -25 dBm



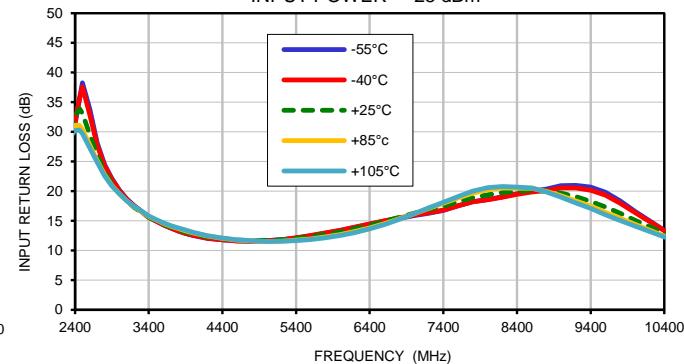
INSERTION LOSS vs. TEMPERATURE (Pass band)
INPUT POWER = -25 dBm



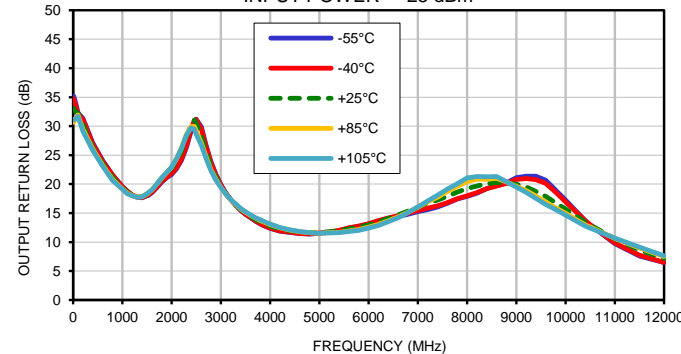
INPUT RETURN LOSS vs. TEMPERATURE (Full band)
INPUT POWER = -25 dBm



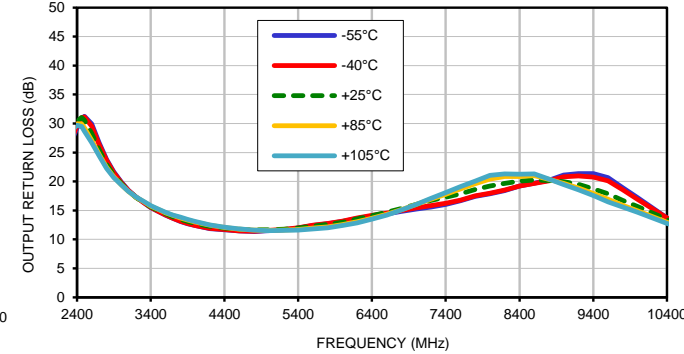
INPUT RETURN LOSS vs. TEMPERATURE (Pass band)
INPUT POWER = -25 dBm



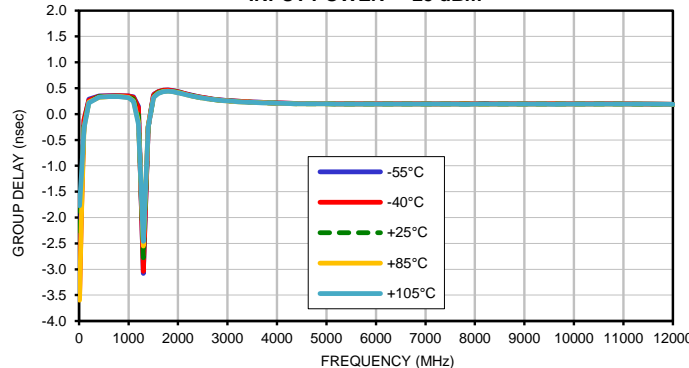
OUTPUT RETURN LOSS vs. TEMPERATURE (Full band)
INPUT POWER = -25 dBm



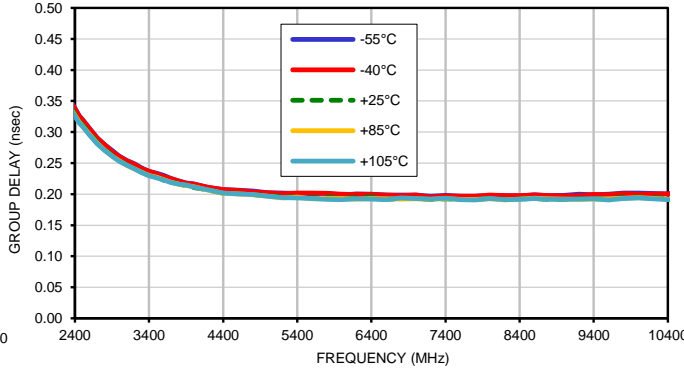
OUTPUT RETURN LOSS vs. TEMPERATURE (Pass band)
INPUT POWER = -25 dBm



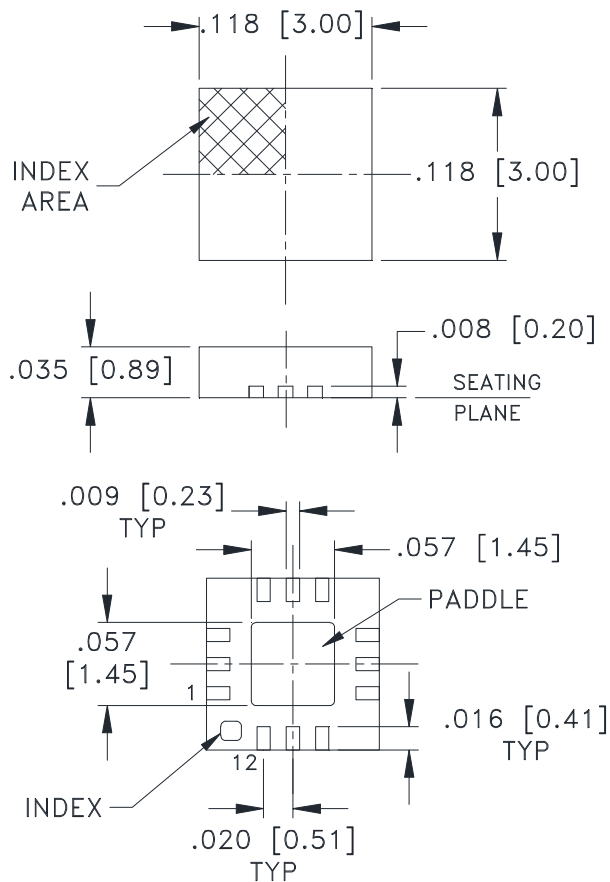
GROUP DELAY vs. TEMPERATURE (Full band)
INPUT POWER = -25 dBm



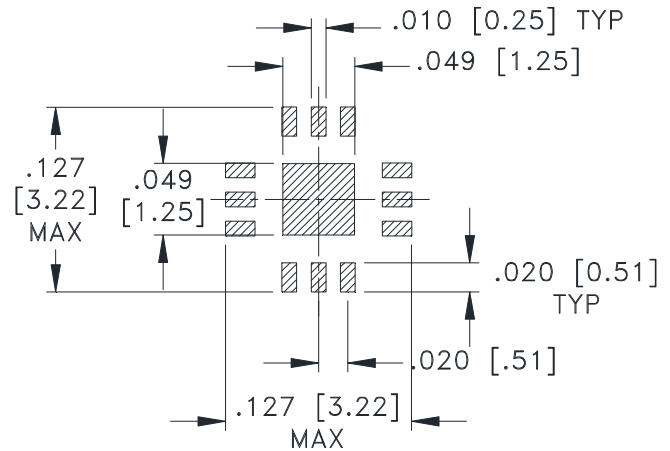
GROUP DELAY vs. TEMPERATURE (Pass band)
INPUT POWER = -25 dBm



Outline Dimensions



PCB Land Pattern



SUGGESTED LAYOUT,
TOLERANCE TO BE WITHIN $\pm .002$

Weight: .02 Grams

Dimensions are in inches (mm). Tolerances: 2Pl. $\pm .01$; 3 Pl. $\pm .004$

Notes:

1. Case material: Plastic.
2. Termination finish:
 - For RoHS Case Styles: Tin-Silver alloy plate over Nickel barrier or Matte-Tin. All models, (+) suffix. See Data sheet.
 - For RoHS-5 Case Styles: Tin-Lead plate. All models, no (+) suffix.

Mini-Circuits®

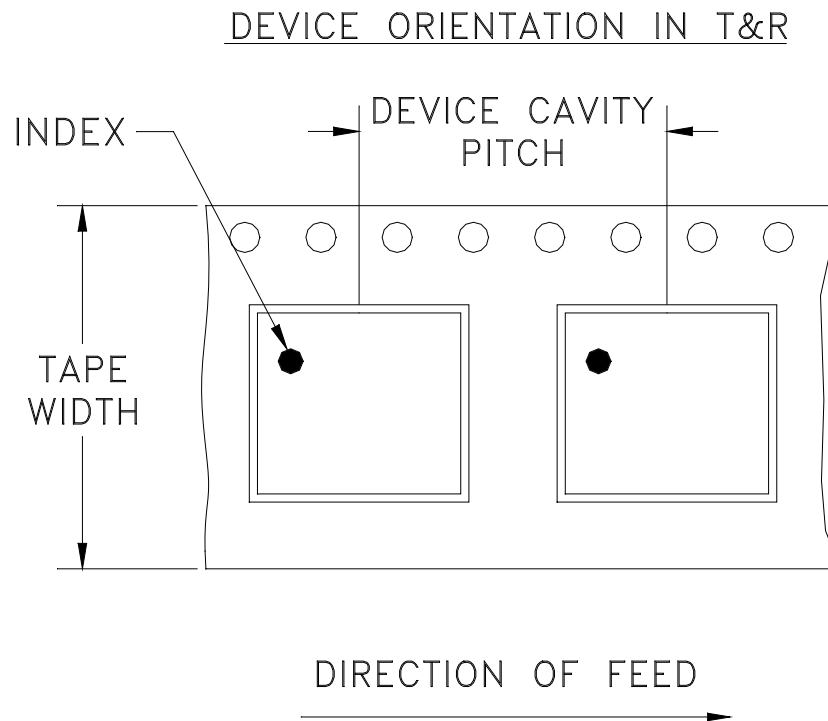
Distribution Centers NORTH AMERICA 800-654-7949 • 417-335-5935 • Fax 417-335-5945 • EUROPE 44-1252-832600 • Fax 44-1252-837010

Mini-Circuits ISO 9001 & ISO 14001 Certified

INTERNET <http://www.minicircuits.com>

P.O. Box 350166, Brooklyn, New York 11235-0003 (718) 934-4500 Fax (718) 332-4661

Tape & Reel Packaging TR-F66



Tape Width, mm	Device Cavity Pitch, mm	Reel Size, inches	Devices per Reel see note	
8	4	7	Small quantity standard	20
				50
				100
				200
				500
		7	Standard	1000, 2000, 3000

Note: Please consult individual model data sheet to determine device per reel availability.

Mini-Circuits carrier tape materials provide protection from ESD (Electro-Static Discharge) during handling and transportation. Tapes are static dissipative and comply with industry standards EIA-481/EIA-541.

Go to: www.minicircuits.com/pages/pdfs/tape.pdf

Mini-Circuits®

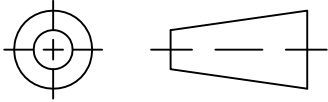
INTERNET <http://www.minicircuits.com>

P.O. Box 350166, Brooklyn, New York 11235-0003 (718) 934-4500 Fax (718) 332-4661

Distribution Centers NORTH AMERICA 800-654-7949 • 417-335-5935 • Fax 417-335-5945 • EUROPE 44-1252-832600 • Fax 44-1252-837010

Mini-Circuits ISO 9001 & ISO 14001 Certified

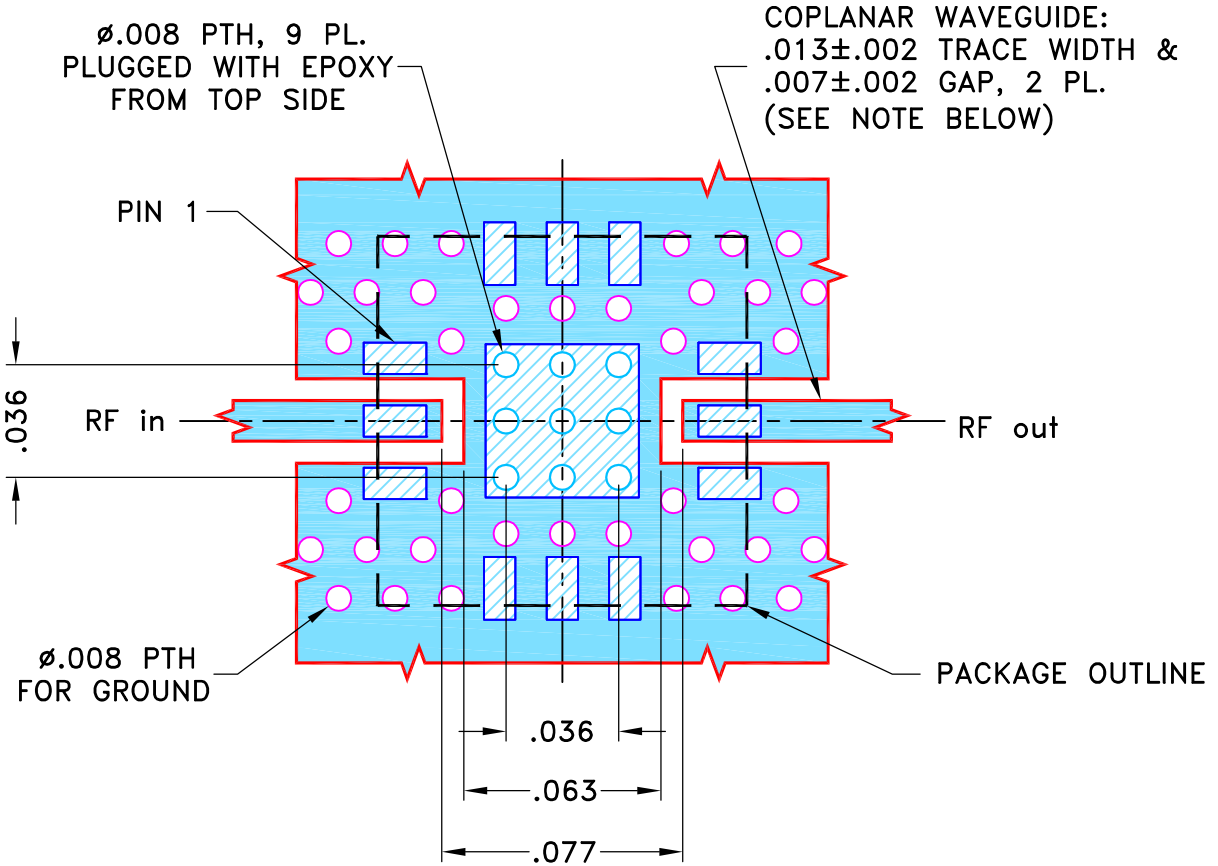
THIRD ANGLE PROJECTION



REVISIONS

REV	ECN No.	DESCRIPTION	DATE	DR	AUTH
OR	M152656	NEW RELEASE	09/11/15	ITG	MY

SUGGESTED MOUNTING CONFIGURATION
FOR DQ1225 CASE STYLE, "12FL02" PIN CODE



NOTES:

- TRACE WIDTH PARAMETERS ARE SHOWN FOR ROGERS R04350B WITH DIELECTRIC THICKNESS $.0066 \pm .0007$ ". COPPER: 1/2 OZ. EACH SIDE. FOR OTHER MATERIALS TRACE WIDTH AND GAP MAY NEED TO BE MODIFIED.
- BOTTOM SIDE OF THE PCB IS CONTINUOUS GROUND PLANE.

- DENOTES PCB COPPER LAYOUT WITH SMOBC (SOLDER MASK OVER BARE COPPER).
- DENOTES COPPER LAND PATTERN FREE OF SOLDER MASK.

UNLESS OTHERWISE SPECIFIED	INITIALS		DATE
DIMENSIONS ARE IN INCHES TOLERANCES ON: 2 PL DECIMALS \pm 3 PL DECIMALS $\pm .005$ ANGLES \pm FRACTIONS \pm	DRAWN	ITG	09/10/15
	CHECKED	GF	09/11/15
	APPROVED	MY	09/11/15

Mini-Circuits[®] 13 Neptune Avenue
Brooklyn NY 11235

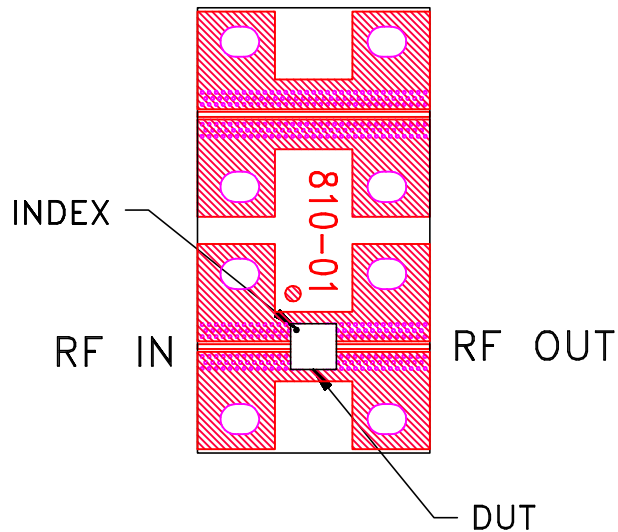
PL, 12FL02, DQ1225, TB-844+

Mini-Circuits[®]
THIS DOCUMENT AND ITS CONTENTS ARE THE PROPERTY OF MINI-CIRCUITS. EXCEPT FOR USE EXPRESSLY GRANTED, IN WRITING, TO ITS VENDORS, VENDEE AND THE UNITED STATES GOVERNMENT, MINI-CIRCUITS RESERVES ALL PROPRIETARY DESIGN, USE, MANUFACTURING AND REPRODUCTION RIGHTS THERETO. THESE CONTENTS SHALL NOT BE USED, DUPLICATED OR DISCLOSED TO ANY OUTSIDE PARTY, IN WHOLE OR IN PART, WITHOUT WRITTEN PERMISSION OF MINI-CIRCUITS.

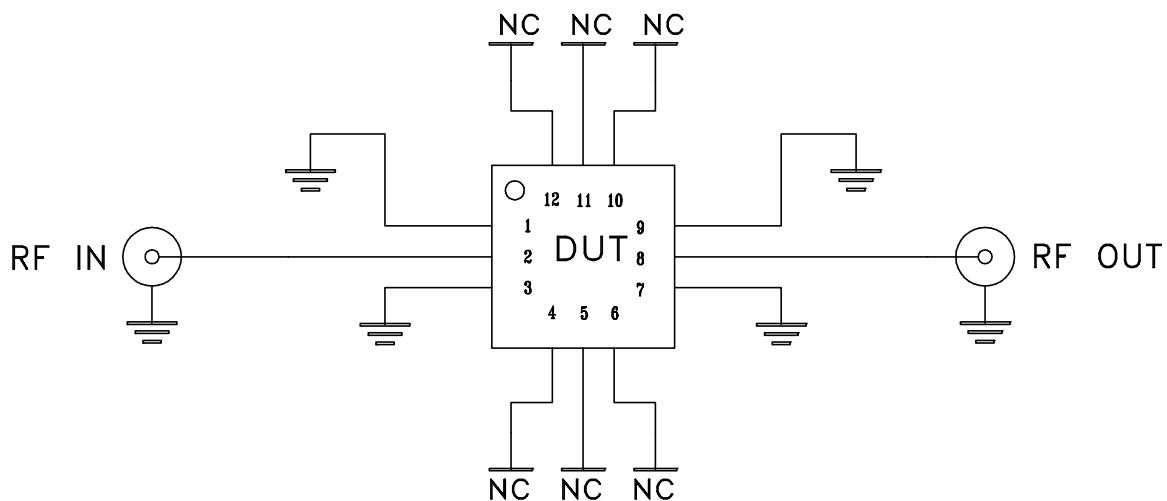
SIZE A	CODE IDENT 15542	DRAWING NO: 98-PL-451	REV: OR
FILE: 98PL451	SCALE: 16:1	SHEET: 1 OF 1	

Evaluation Board and Circuit

To be used with Mini-Circuits 50 Ohm 2.92 connectors B20-118-F1+.
Connectors are sold separately.




TB-844-252H+



Schematic Diagram

Note:

PCB Material: R04350 or equivalent,
Dielectric Constant=3.5, Thickness=.0066 inch.

 **Mini-Circuits®**



All Mini-Circuits products are manufactured under exacting quality assurance and control standards, and are capable of meeting published specifications after being subjected to any or all of the following physical and environmental test.

Specification	Test/Inspection Condition	Reference/Spec
Operating Temperature	-55° to 105°C Ambient Environment	Individual Model Data Sheet
Storage Temperature	-65° to 150° C Ambient Environment	Individual Model Data Sheet
Autoclave	15 psig, 100% RH, 121°C, 96 hours	JESD22-A102-C, Condition C
Temperature Cycling	-65° to 150°C, 100 cycles	JESD22-A104
Temperature Humidity	85°C/ 85% RH, 168 hours	JESD22-113
Solder Reflow Heat	Sn-Pb Eutetic Process: 240°C peak Pb-Free Process: 260°C peak	J-STD-020, Table 4-1, 4-2 and 5-2; Figure 5-1
Moisture Sensitivity: Level 1	Bake at 125°C for 24 hours Soak at 85°C/85% RH for 168 hours, Reflow 3 cycles at 240°C peak (Non-RoHS) or 260°C (RoHS)	J-STD-020C
Solderability	10X magnification, 95% coverage	JESD22-B102, Method 1: Dip and Look Test
Marking Resistance to Solvents	Isopropyl alcohol + mineral spirits at 25°C; terpene defluxer at 25°C; distilled water + proylene glycol monomethyl ether + monoethanolamine at 63°C to 70°C	MIL-STD-202, Method 215