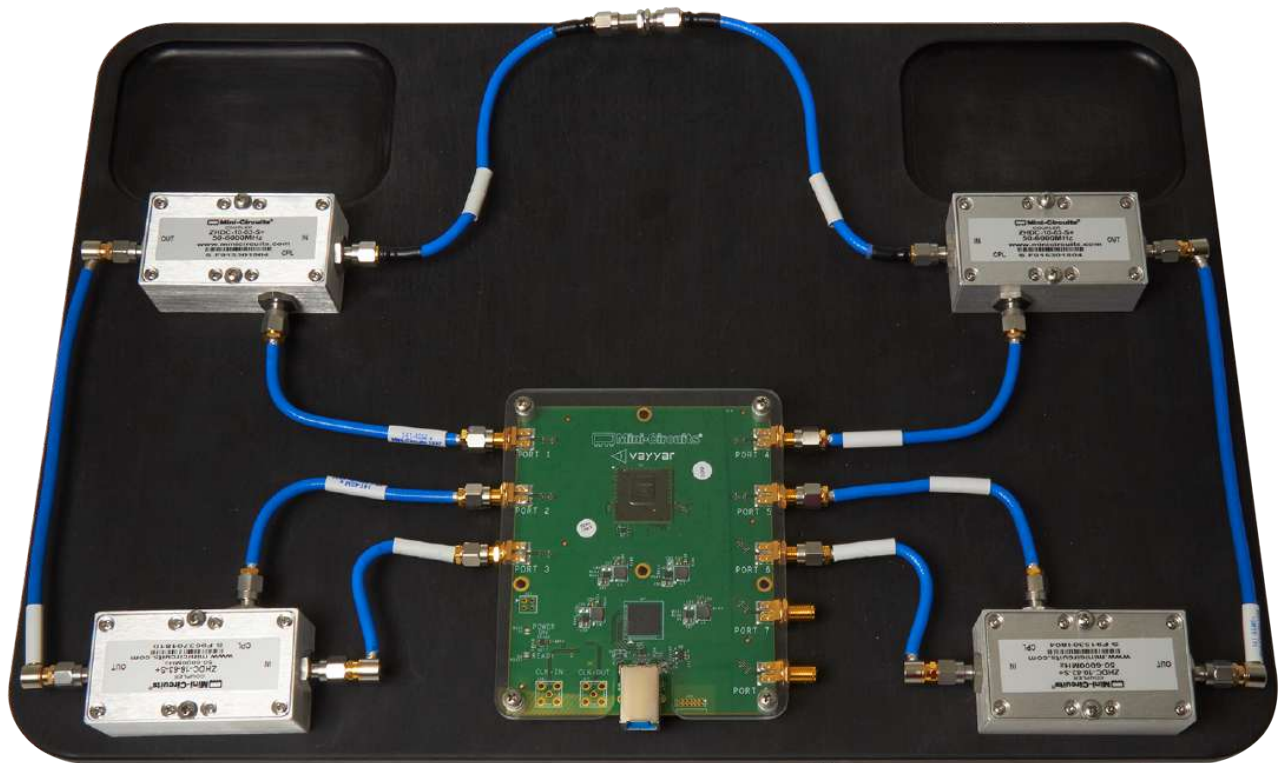


MICROWAVE TRANSCEIVER KIT

PROJECT NO. 1: UVNA-63 DIY VECTOR NETWORK ANALYZER



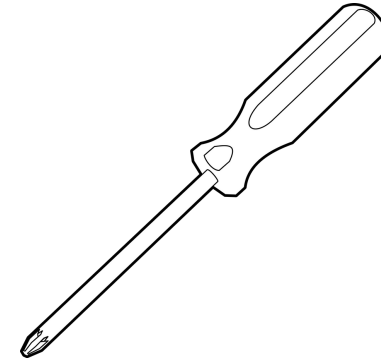
Instructions for Assembly

WARNINGS AND RECOMMENDATIONS FOR PROPER USE



WARNING:

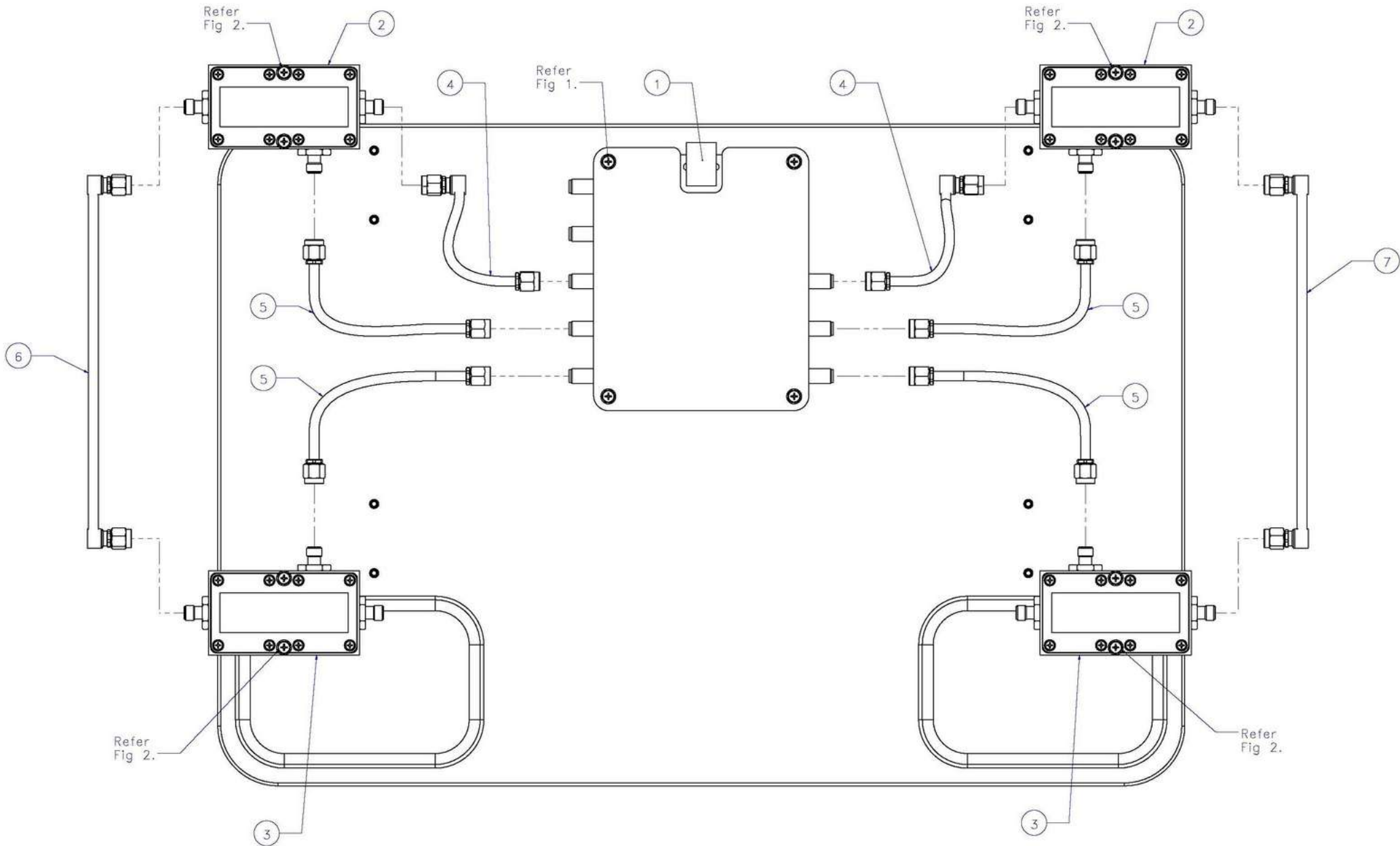
Electrostatic sensitive device



Phillips-Head screwdriver
required

- An 8 lb-in calibrated torque wrench is recommended for interconnection of components in this kit.
- Keep connectors clean from foreign objects and debris to ensure accurate measurements.
 - Return all ESD-sensitive components to the antistatic bag before returning to the carrying case.
- When making SMA connections, always hold the female connector steady using the anti-torque nut while rotating the Male SMA connector coupling nut to avoid cross-threading or damage to the connectors.

ASSEMBLY DIAGRAM (2/3)



Refer to BOM for assembly numbers.

Note: Please note coupler orientation

ASSEMBLY DIAGRAM (3/3)

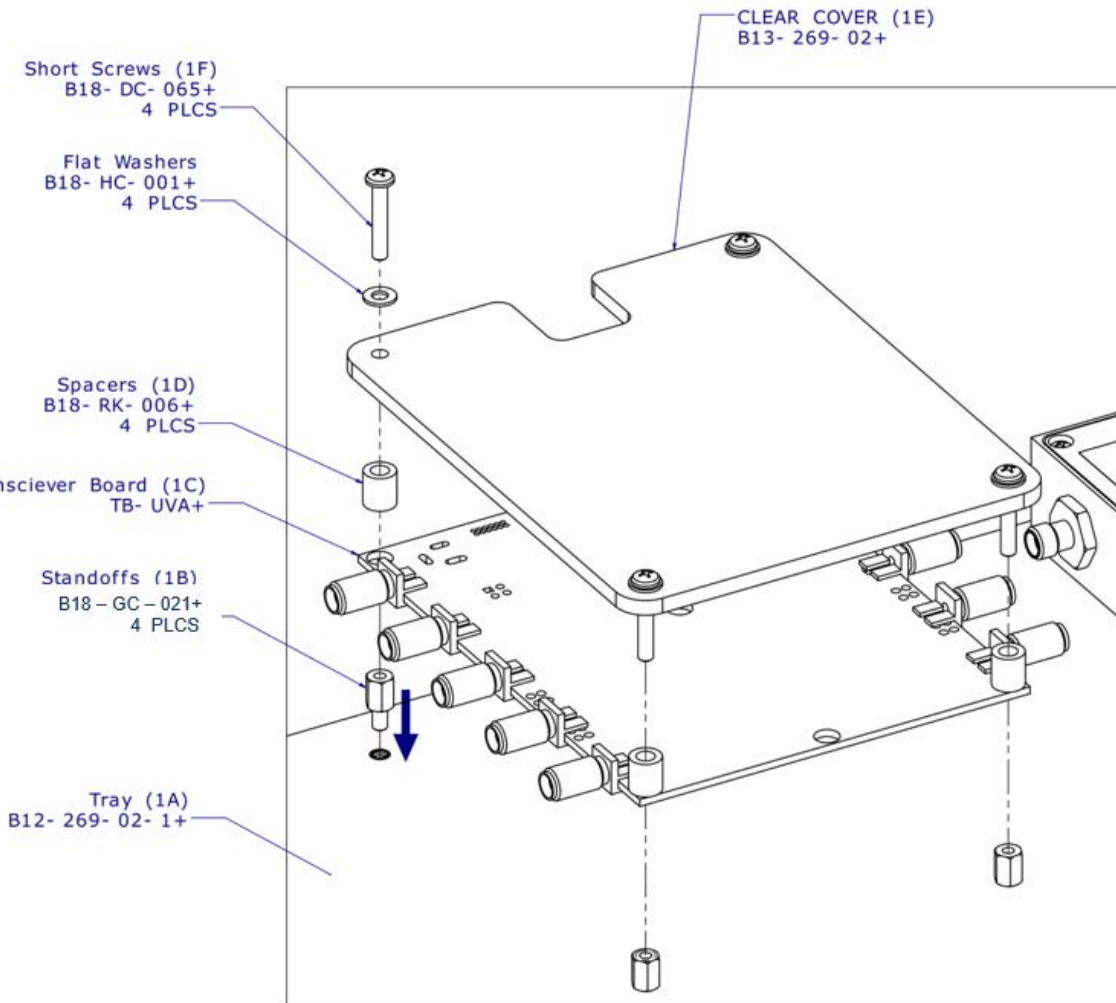


Figure 1

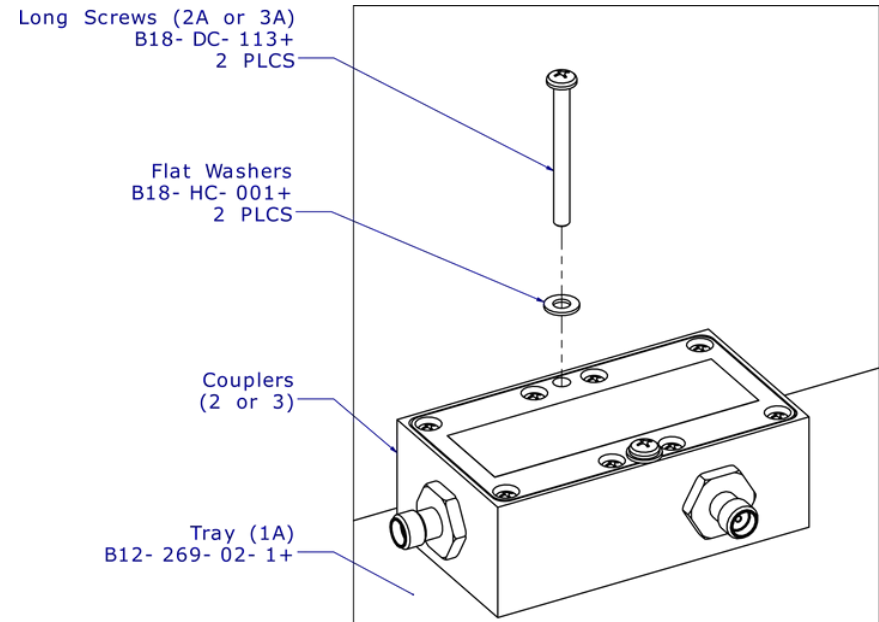


Figure 2 (4 Plcs.)

BILL OF MATERIALS

Kit Components

Assembly No.	Description	MCL P/N	Quantity
1 (Refer Fig. 1)	1A Tray	B12-269-02-1+	1
	1C Transceiver Board	TB-UVNA+	1
	1E Clear Cover 0.125" Thick	B13-269-02+	1
2 (Refer Fig. 2)	16dB High Directivity Coupler	ZHDC-16-63-S+	2
3 (Refer Fig. 2)	10dB High Directivity Coupler	ZHDC-10-63-S+	2
4	141 Hand-Flex 3" Cable	141-3SMRSM+	2
5	141 Hand-Flex 4" Cable	141-4SM+	4
6	141 Hand-Flex 6" Cable	141-6SMR+	2
-	141 Hand-Flex 12" Cable	141-12SMR+	1
-	Flexible 141 6" Test Cable	FL141-6SM+	2
-	USB 3.0 CABLE	B66-275+	1

Assembly parts

Assembly No.	Description	MCL P/N	Quantity
1 (Refer Fig. 1)	1B Stand offs	B18-GC-021+	4
	1D Spacers	B18-RK-006+	4
	1F Short Screws	B18-DC-065+	4
2A or 3A	Long Screws	B18-DC-113+	8
-	Flat Washers	B18-HC-001+	12

Calibration Kit

Assembly No.	Description	MCL P/N	Quantity
-	Female - Open	B20-64-F6+	1
-	Female - Short	B20-64-F7+	1
-	Female - Load	ANNEF-50+	1
-	Female - Thru	SF-SF50+	1

DUT's

Assembly No.	Description	MCL P/N	Quantity
-	Band Pass Filter, 2450 MHz	VBF-2435+	1
-	Low Pass Filter, 1500 MHz	VLF-1500+	1
-	GVA-84 EVAL BOARD	TB-410-84+	1
-	3 dB Attenuator, 1 Watt	VAT-3+	1
-	6 dB Attenuator, 1 Watt	VAT-6+	1
-	15 dB Attenuator, 1 Watt	VAT-15+	1
-	50 Ohm Termination	ANNE-50+	1
-	SMA Male - SMA Male Adapter	SM-SM50+	2
-	SMA Female - SMA Female Adapter	SF-SF50+	2

Supplemental

Assembly No.	Description	MCL P/N	Quantity
-	SMA Wrench	B85-TM-134	1

IMPORTANT NOTICE

© 2019 Mini-Circuits

This document is provided as an accommodation to Mini-Circuits customers in connection with Mini-Circuits parts only. In that regard, this document is for informational and guideline purposes only. Mini-Circuits assumes no responsibility for errors or omissions in this document or for any information contained herein. Mini-Circuits may change this document or the Mini-Circuits parts referenced herein (collectively, the "Materials") from time to time, without notice. Mini-Circuits makes no commitment to update or correct any of the Materials, and Mini-Circuits shall have no responsibility whatsoever on account of any updates or corrections to the Materials or Mini-Circuits' failure to do so. Mini-Circuits customers are solely responsible for the products, systems, and applications in which Mini-Circuits parts are incorporated or used. In that regard, customers are responsible for consulting with their own engineers and other appropriate professionals who are familiar with the specific products and systems into which Mini-Circuits' parts are to be incorporated or used so that the proper selection, installation/integration, use and safeguards are made. Accordingly, Mini-Circuits assumes no liability therefore. In addition, your use of this document and the information contained herein is subject to Mini-Circuits' standard terms of use, which are available at Mini-Circuits' website at www.minicircuits.com/homepage/terms_of_use.html. Mini-Circuits and the Mini-Circuits logo are registered trademarks of Scientific Components Corporation d/b/a Mini-Circuits. All other third-party trademarks are the property of their respective owners. A reference to any third-party trademark does not constitute or imply any endorsement, affiliation, sponsorship, or recommendation: (i) by Mini-Circuits of such third-party's products, services, processes, or other information; or (ii) by any such third-party of Mini-Circuits or its products, services, processes, or other information.