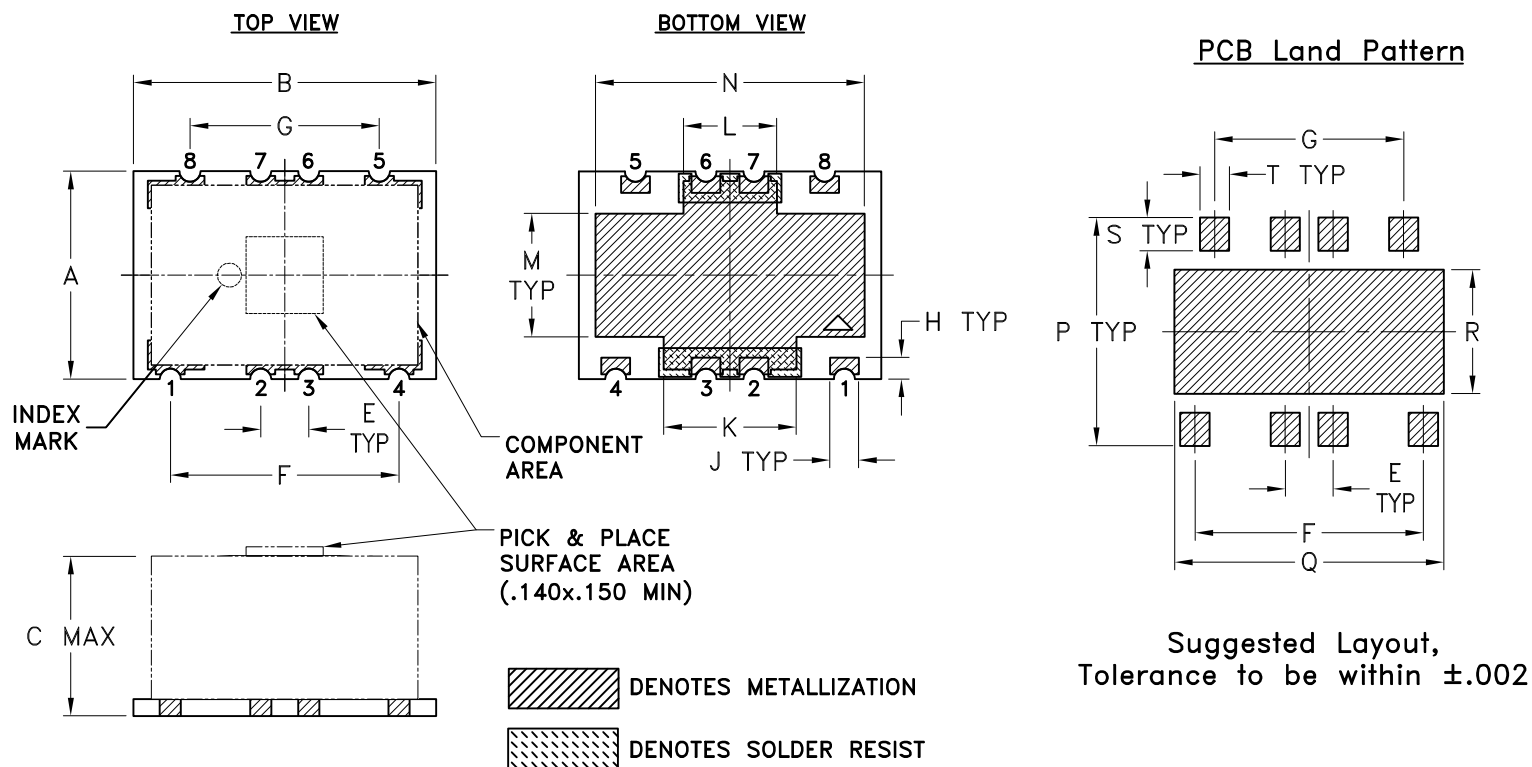


## Outline Dimensions

AH1503



Suggested Layout,  
 Tolerance to be within  $\pm 0.002$

CASE#	A	B	C	D	E	F	G	H	J	K	L	M	N
AH1503	.433 (11.00)	.630 (16.00)	.355 (9.02)	- -	.100 (2.54)	.476 (12.09)	.394 (10.01)	.045 (1.14)	.060 (1.52)	.276 (7.01)	.194 (4.93)	.257 (6.53)	.560 (14.22)

CASE #	P	Q	R	S	T	WT, GRAM
AH1503	.475 (12.07)	.561 (14.25)	.258 (6.55)	.069 (1.75)	.061 (1.55)	2.50

Dimensions are in inches (mm). Tolerances: 2 Pl.  $\pm 0.01$ ; 3 Pl.  $\pm 0.005$

### Notes:

- Open style, Base material: Printed wiring laminate.
- Termination finish: 3-5  $\mu$  inch (.08-.13 microns) Gold over 120-240  $\mu$  inch (3.05-6.10 microns) Nickel plate.  
 All models, (+) suffix.



P.O. Box 350166, Brooklyn, New York 11235-0003 (718) 934-4500 Fax (718) 332-4661 For detailed performance specs & shopping online see Mini-Circuits web site



The Design Engineers Search Engine Provides ACTUAL Data Instantly From MINI-CIRCUITS At: [www.minicircuits.com](http://www.minicircuits.com)

RF/IF MICROWAVE COMPONENTS