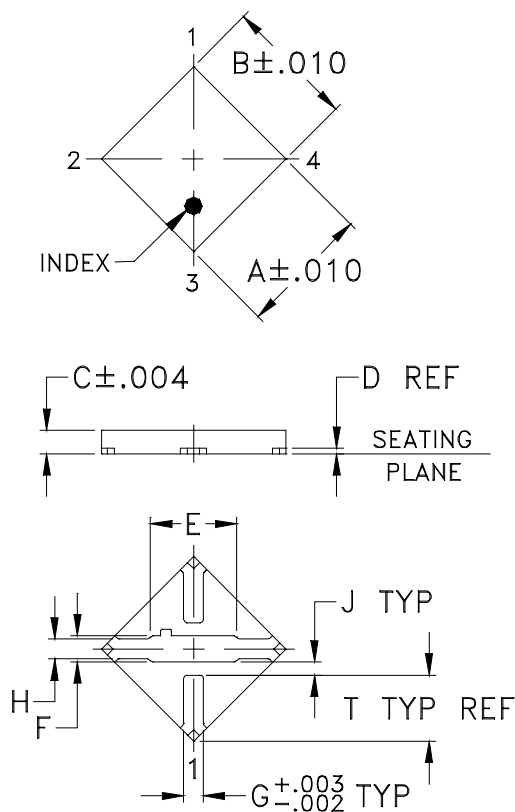
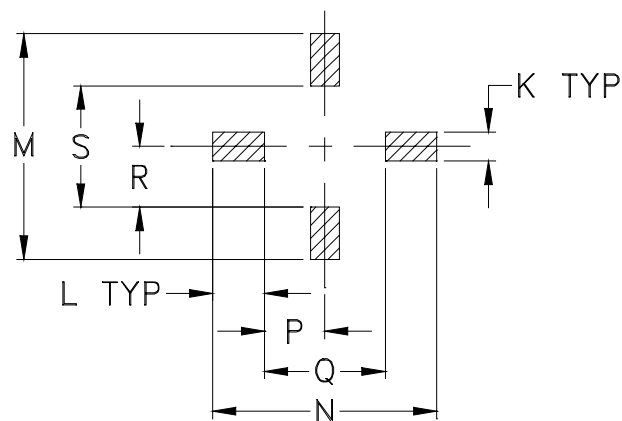


Outline Dimensions



PCB Land Pattern



Suggested Layout,
Tolerance to be within $\pm .002$

CASE #	A	B	C	D	E	F	G	H	J	K	L	M
DH820	.197 (5.00)	.197 (5.00)	.035 (0.89)	.008 (0.20)	.130 (3.30)	.039 (0.99)	.030 (0.76)	.030 (0.76)	.020 (0.51)	.040 (1.02)	.072 (1.83)	.310 (7.87)

CASE #	N	P	Q	R	S	T	WT. GRAM
DH820	.310 (7.87)	.084 (2.13)	.167 (4.24)	.084 (2.13)	.167 (4.24)	.100 (2.54)	.06

Dimensions are in inches (mm). Tolerances: 2 Pl. $\pm .01$; 3Pl. $\pm .004$

Notes:

- Case material: Plastic.
- Termination finish:
For RoHS Case Styles: Tin-Silver-Nickel plate. All models, (+) suffix.
For RoHS-5 Case Styles: Tin-Lead plate. All models, no (+) suffix.



INTERNET <http://www.minicircuits.com>

P.O. Box 350166, Brooklyn, New York 11235-0003 (718) 934-4500 Fax (718) 332-4661

Distribution Centers NORTH AMERICA 800-654-7949 • 417-335-5935 • Fax 417-335-5945 • EUROPE 44-1252-832600 • Fax 44-1252-837010

Mini-Circuits ISO 9001 & ISO 14001 Certified