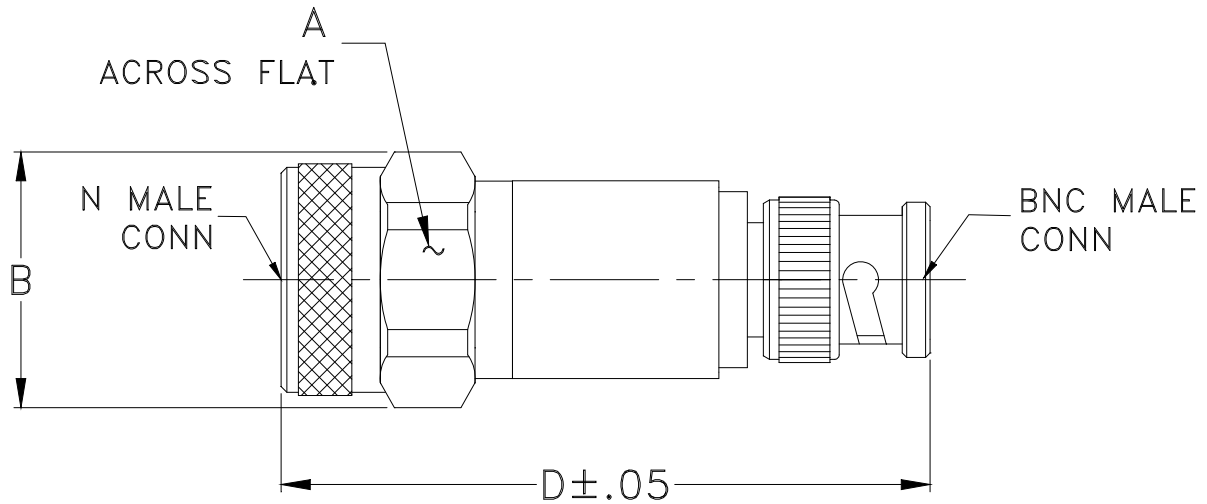


Outline Dimensions



CASE#	A	B	C	D	E	WT. GRAM
DJ865	.812 (20.62)	.88 (22.35)	-- --	2.25 (57.15)	-- --	63.8

Dimensions are in inches (mm). Tolerances: 2 Pl. ± .03; 3 Pl. ± .015

Notes:

1. Case material: Brass.
2. Finish: Nickel plate.