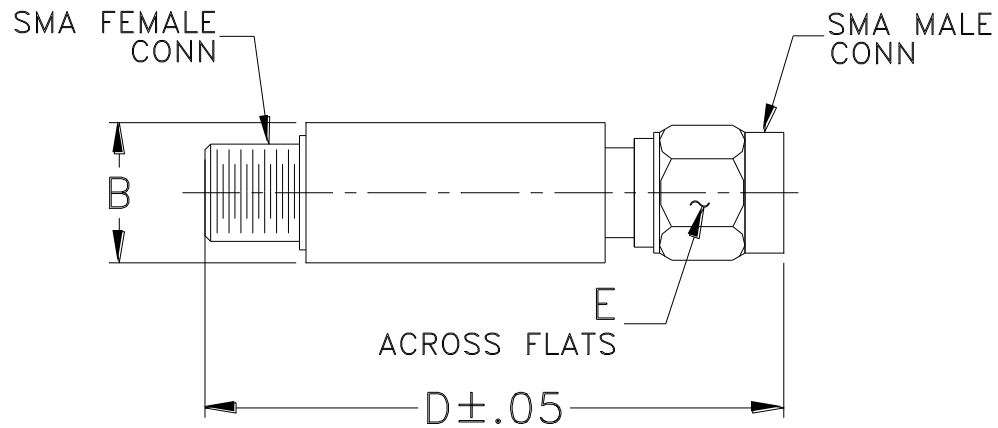


## Outline Dimensions

FF1048



CASE #.	A	B	C	D	E	WT GRAMS
FF1048	--	.36 (9.14)	--	1.49 (37.85)	.312 (7.92)	11.0

Dimensions are in inches (mm). Tolerances: 2Pl.  $\pm .03$ ; 3Pl.  $\pm .015$

### Notes:

1. Case material: Brass.
2. Case finish: Nickel plate.