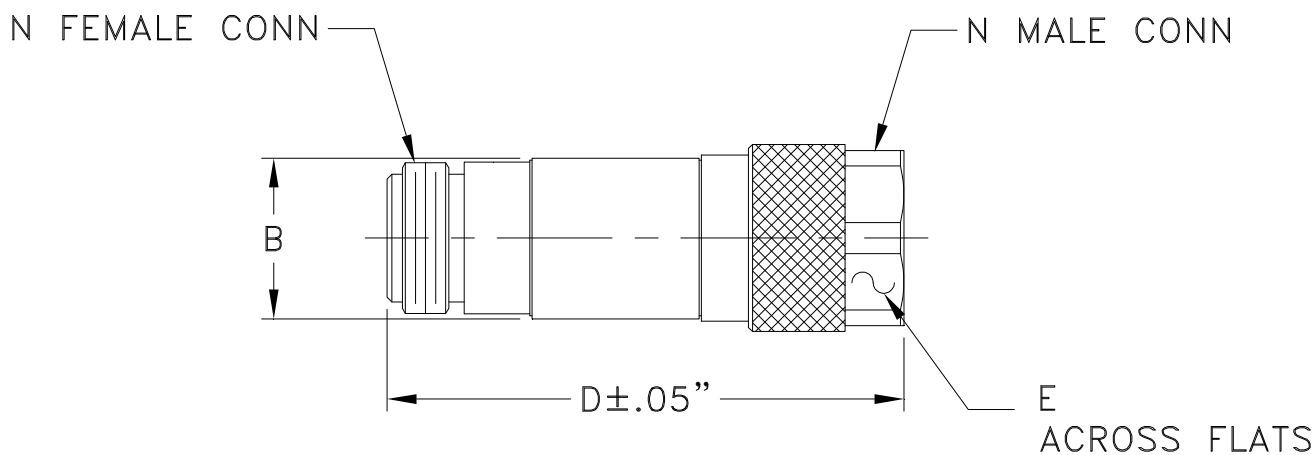


Case Style

FF

Outline Dimensions

FF967



CASE #.	A	B	C	D	E	WT GRAMS
FF967	--	.71 (18.03)	--	2.43 (61.72)	.718 (18.24)	73.0

Dimensions are in inches (mm). Tolerances: 2Pl. +.05/-.04; 3Pl. ± .030

Notes:

1. Case material: Brass.
2. Case finish: Nickel plate.

 **Mini-Circuits**[®]
ISO 9001 ISO 14001 CERTIFIED

ALL NEW

minicircuits.com

P.O. Box 350166, Brooklyn, New York 11235-0003 (718) 934-4500 Fax (718) 332-4661 For detailed performance specs & shopping online see Mini-Circuits web site



The Design Engineers Search Engine Provides ACTUAL Data Instantly From MINI-CIRCUITS At: www.minicircuits.com

RF/IF MICROWAVE COMPONENTS

FF967 Rev.: AR (13/AUG/21) ECO-009237 File: FF967

This document and its contents are the property of Mini-Circuits.

Sheet 1 of 1