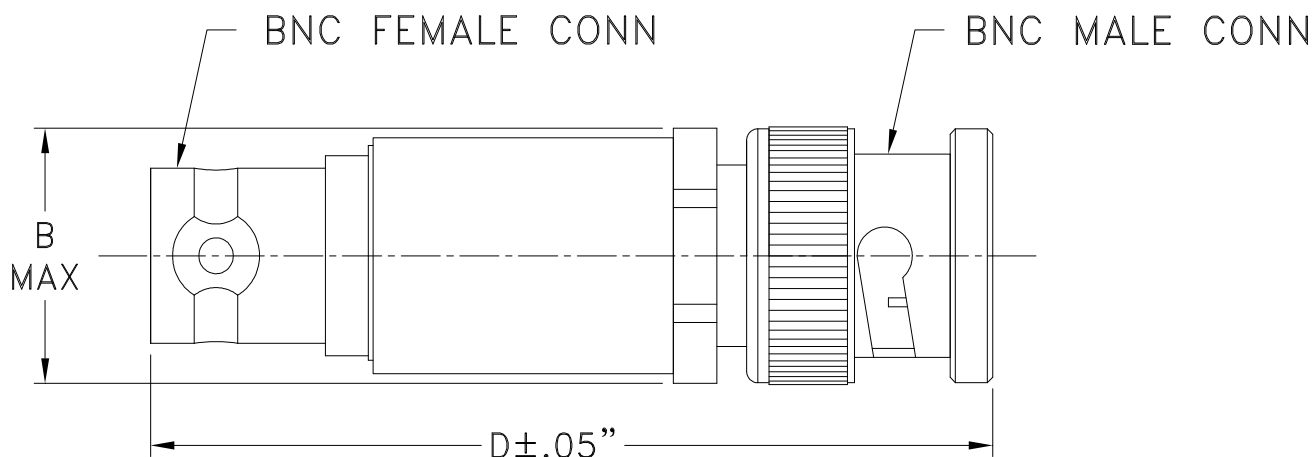


# Case Style

# FF

## Outline Dimensions

## FF968



CASE #.	A	B	C	D	E	WT GRAMS
FF968	--	.62 (15.75)	--	2.27 (57.65)	--	30.8

Dimensions are in inches (mm). Tolerances: 2Pl. ± .04; 3Pl. ± .030

### Notes:

1. Case material: Brass.
2. Case finish: Nickel plate.

**Mini-Circuits®**  
ISO 9001 ISO 14001 CERTIFIED

ALL NEW  
minicircuits.com

P.O. Box 350166, Brooklyn, New York 11235-0003 (718) 934-4500 Fax (718) 332-4661 For detailed performance specs & shopping online see Mini-Circuits web site



The Design Engineers Search Engine Provides ACTUAL Data Instantly From MINI-CIRCUITS At: [www.minicircuits.com](http://www.minicircuits.com)

RF/IF MICROWAVE COMPONENTS