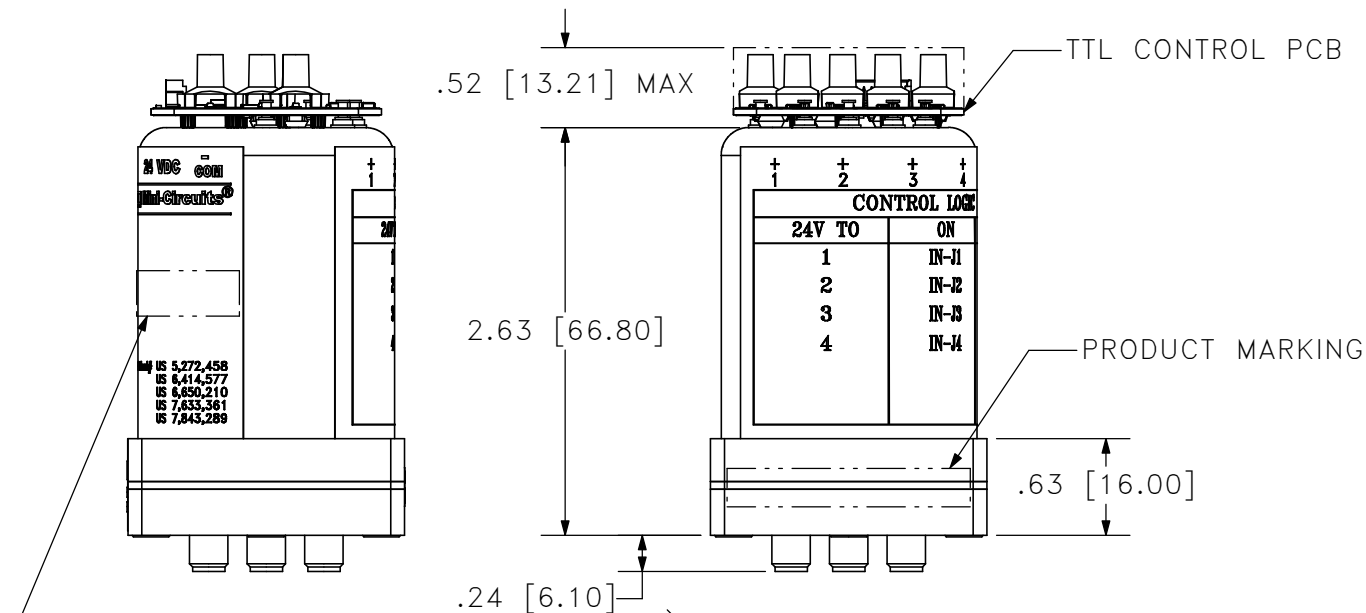
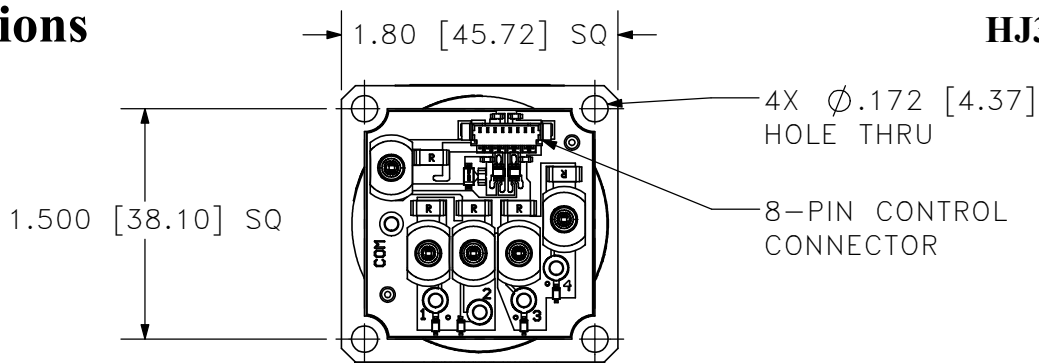
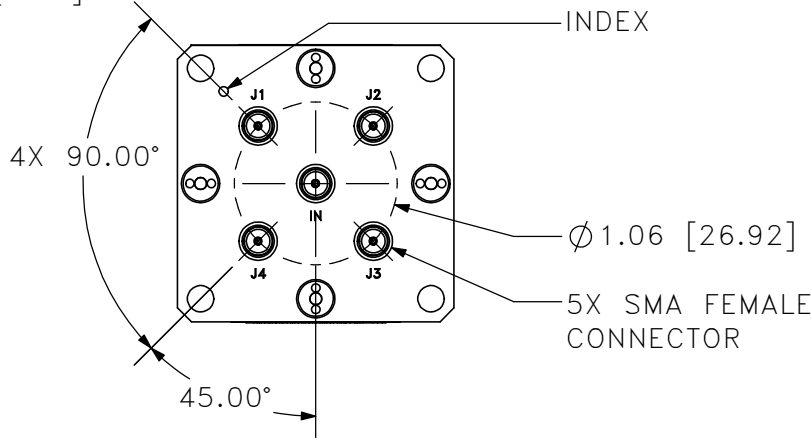


## Outline Dimensions

HJ3569



PRODUCT DESCRIPTION  
PRODUCT FREQUENCY



### Notes:

1. Case material: Copper-nickel alloy.
2. Dimensions are in inches (mm). Tolerances: 2 Pl.  $\pm$ .02 inch; 3 Pl.  $\pm$ .015 inch.
3. Weight: 181 grams.
4. Marking may contain other features or characters for internal lot control.

**Mini-Circuits**<sup>®</sup>  
ISO 9001 ISO 14001 CERTIFIED

ALL NEW  
minicircuits.com

P.O. Box 350166, Brooklyn, New York 11235-0003 (718) 934-4500 Fax (718) 332-4661 For detailed performance specs & shopping online see Mini-Circuits web site



The Design Engineers Search Engine Provides ACTUAL Data Instantly From MINI-CIRCUITS At: [www.minicircuits.com](http://www.minicircuits.com)

RF/IF MICROWAVE COMPONENTS