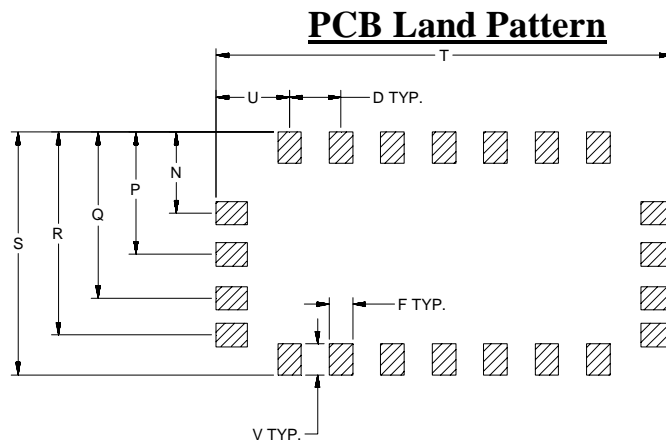
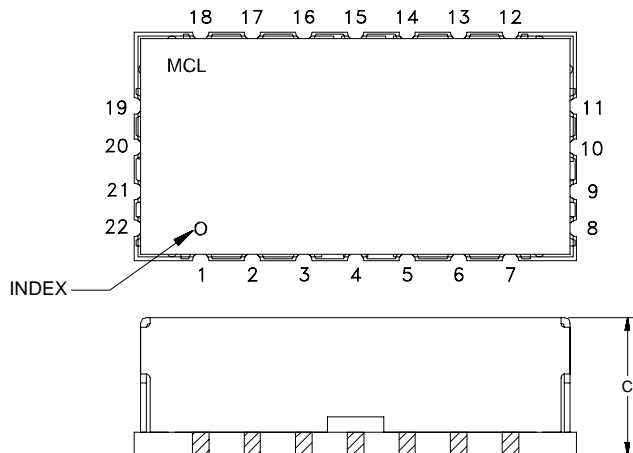


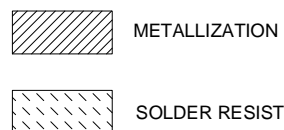
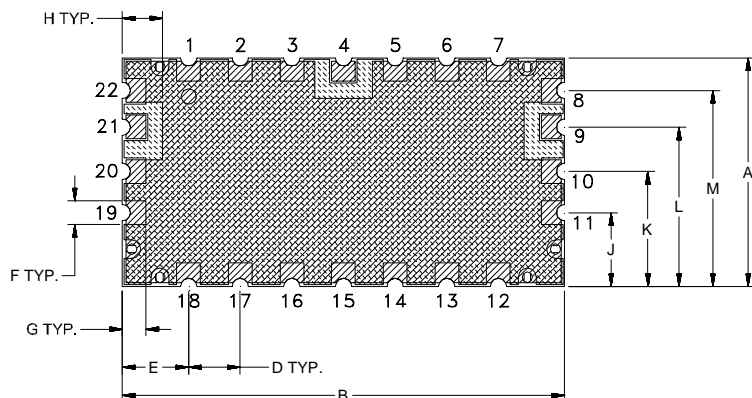
Outline Dimensions

JK1226



PCB Land Pattern

Suggested Layout



CASE #	A	B	C	D	E	F	G	H	J	K	L	M	N
JK1226	.610 (15.49)	1.181 (30.00)	.375 (9.52)	.138 (3.50)	.177 (4.50)	.063 (1.60)	.063 (1.60)	.108 (2.74)	.197 (5.00)	.307 (7.80)	.425 (10.80)	.523 (13.28)	.217 (5.51)

CASE #	P	Q	R	S	T	U	V	WT. GRAMS
JK1226	.327 (8.31)	.445 (11.30)	.543 (13.79)	.650 (16.51)	1.221 (31.01)	.197 (5.01)	.083 (2.11)	9

Dimensions are in inches (mm). Tolerances: 2 Pl. ± .03; 3 Pl. ± .015

Notes:

- Case material: Nickel-Silver alloy.
- Base: Printed wiring laminate.
- Termination finish:
For RoHS Case Styles: 3-5 μ inch (.08-.13 microns) Gold over 120-240 μ inch (3.05-6.10 microns) Nickel plate.
For RoHS-5 Case Styles: Tin-Lead plate.



P.O. Box 350166, Brooklyn, New York 11235-0003 (718) 934-4500 Fax (718) 332-4661 For detailed performance specs & shopping online see Mini-Circuits web site



The Design Engineers Search Engine Provides ACTUAL Data Instantly From MINI-CIRCUITS At: www.minicircuits.com

RF/IF MICROWAVE COMPONENTS