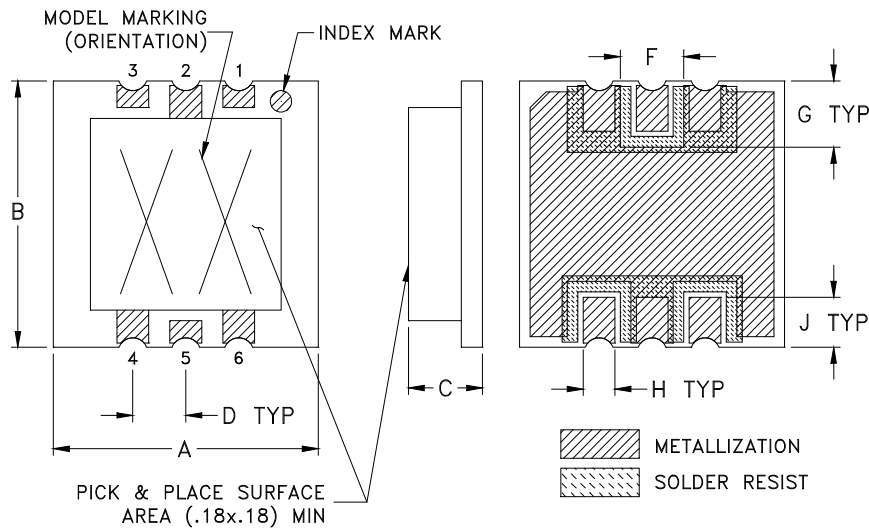
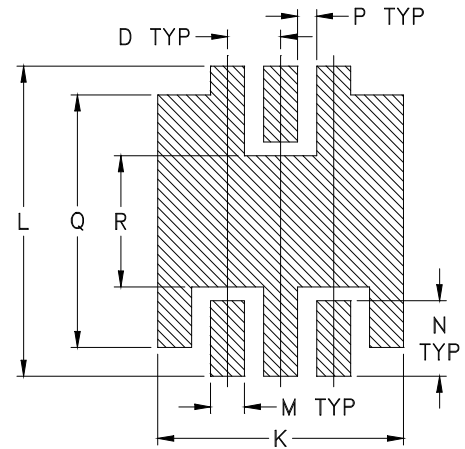


### Outline Dimensions



### PCB Land Pattern



Suggested Layout,  
Tolerance to be within  $\pm 0.02$

CASE#	A	B	C	D	E	F	G	H	J	K	L	M
MW1663	.250 (6.35)	.250 (6.35)	.07 (1.78)	.05 (1.27)	- -	.060 (1.53)	.062 (1.57)	.030 (0.76)	.047 (1.19)	.232 (5.89)	.291 (7.39)	.032 (0.81)

CASE#	N	P	Q	R	WT, GRAM
MW1663	.071 (1.80)	.018 (0.46)	.237 (6.02)	.123 (3.12)	0.06

Dimensions are in inches (mm). Tolerances: 3 Pl.  $\pm .003$  unless otherwise specified

#### Notes:

1. Case material: Plastic.
2. Base Material: 20 mil thk. Laminate.
3. Termination finish: For RoHS Case Style: Tin plate. All models, (+) suffix.