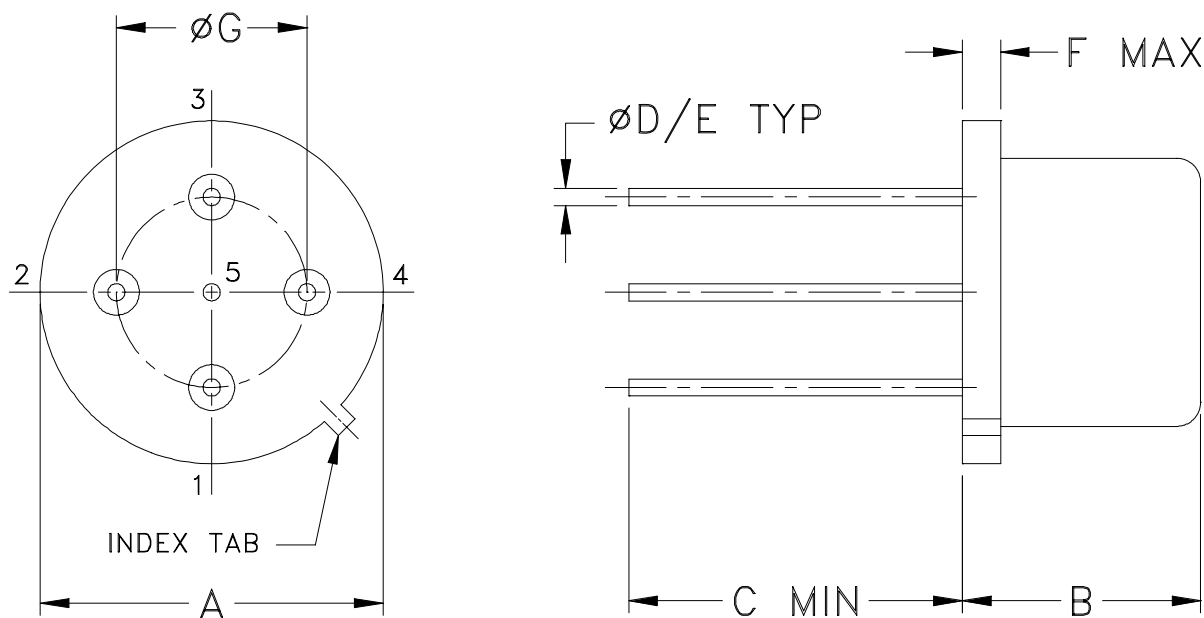


Outline Dimensions



CASE#	A	B	C	D	E	F	G	WT, GRAM
PP163	.360 (9.14)	.250 (6.35)	.35 (8.89)	.016 (.41)	.020 (.51)	.04 (1.02)	.200 (5.08)	2.9

Dimensions are in inches (mm). Tolerances: 2 Pl. $\pm .03$; 3 Pl. $\pm .015$

Notes:

- Header material: C.R.S. or kovar.
Pin material: # 52 alloy or kovar.
Cover material: Nickel.
- Pin finish: Gold plate 25 μ inches (.64 microns) min.
- For pin designations see specifications data sheet.
- Pin numbers do not appear on unit, for reference only.