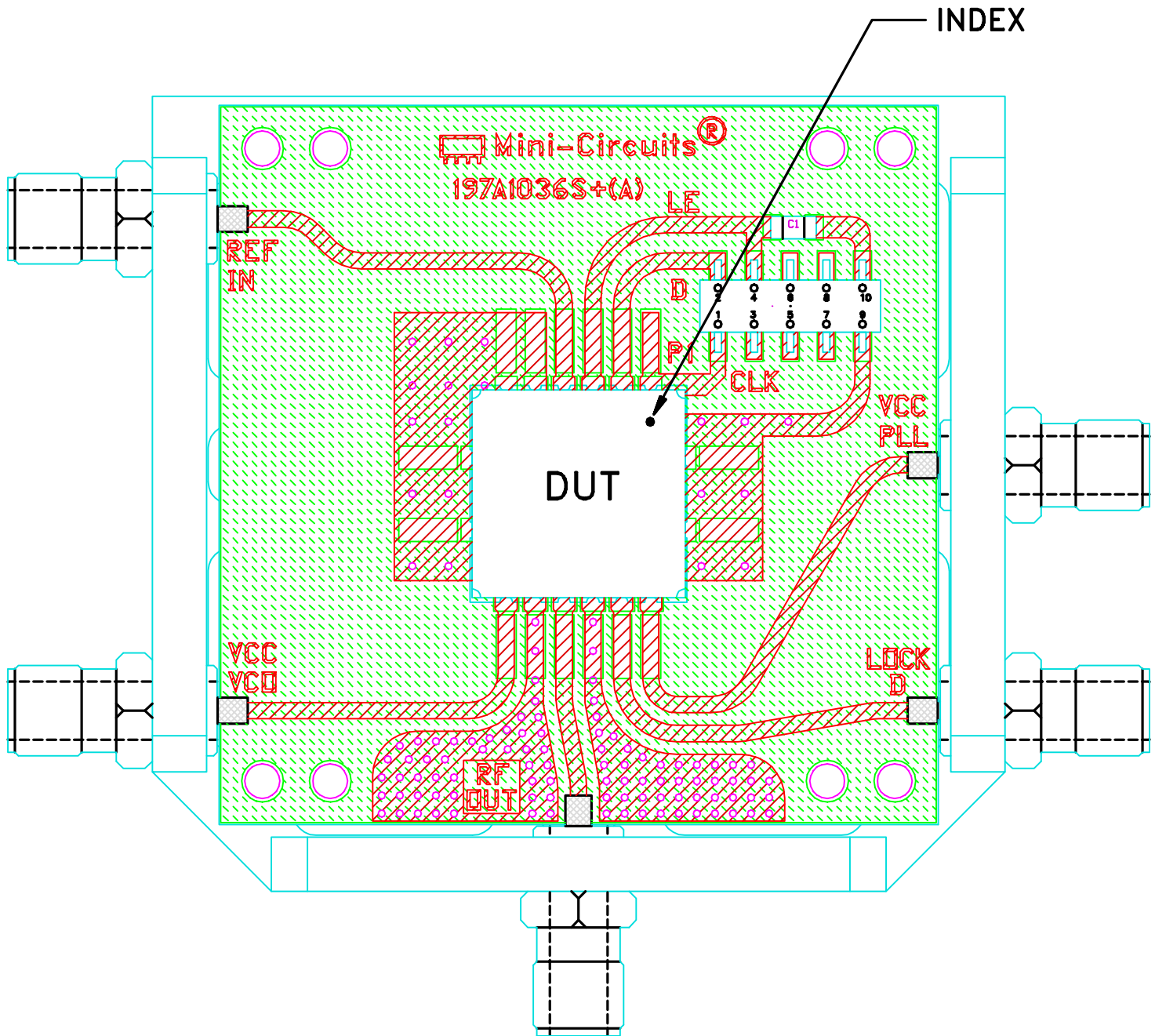


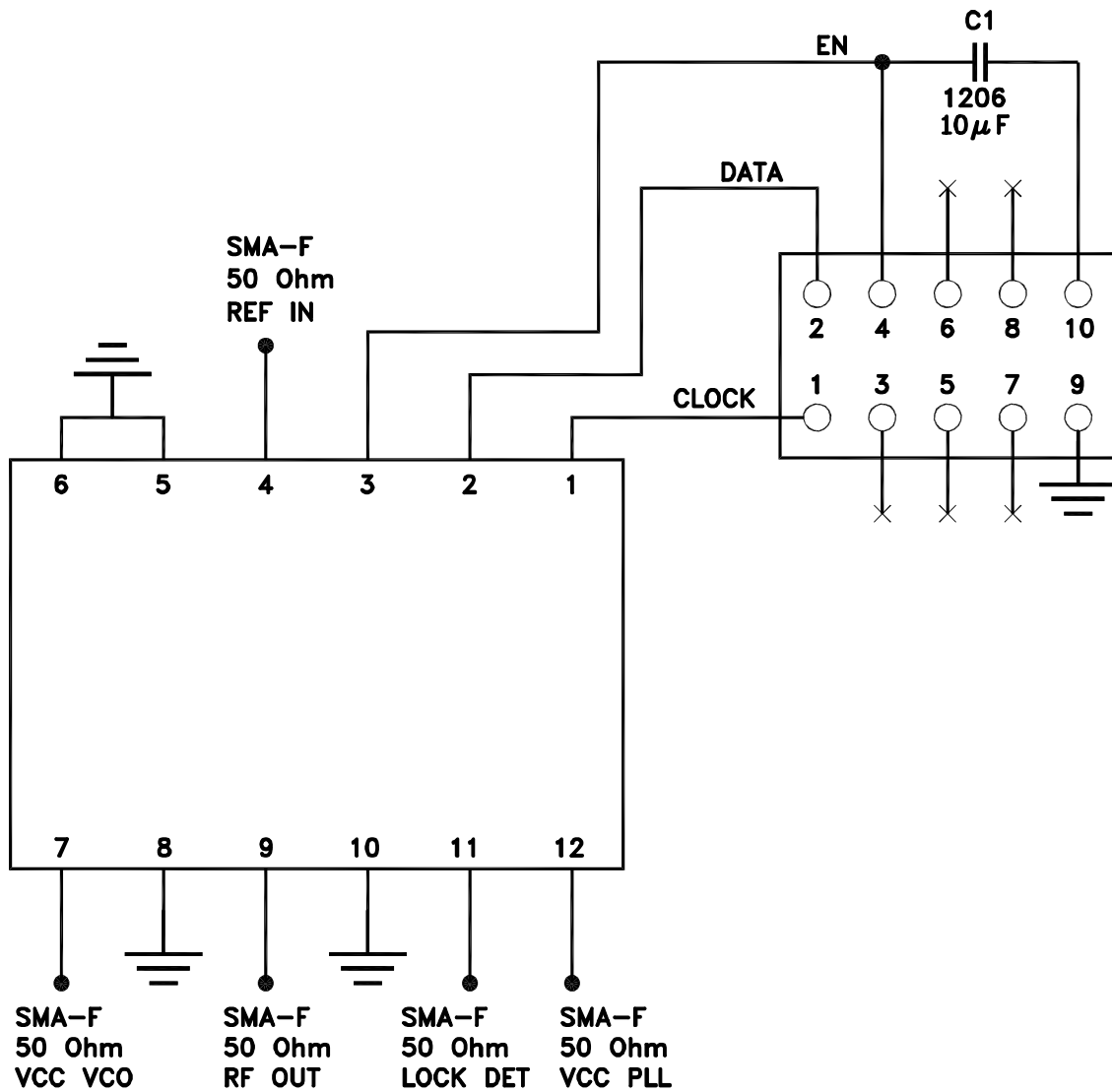
Evaluation Board and Circuit



TB-552+

NOTES:

- 1. SMA FEMALE CONNECTORS.
- 2. PCB MATERIAL: RO4350B OR EQUIVALENT, DIALECTRIC CONSTANT=3.5, DIALECTRIC THICKNESS=.020 INCH.



TB-552+ Schematic Diagram