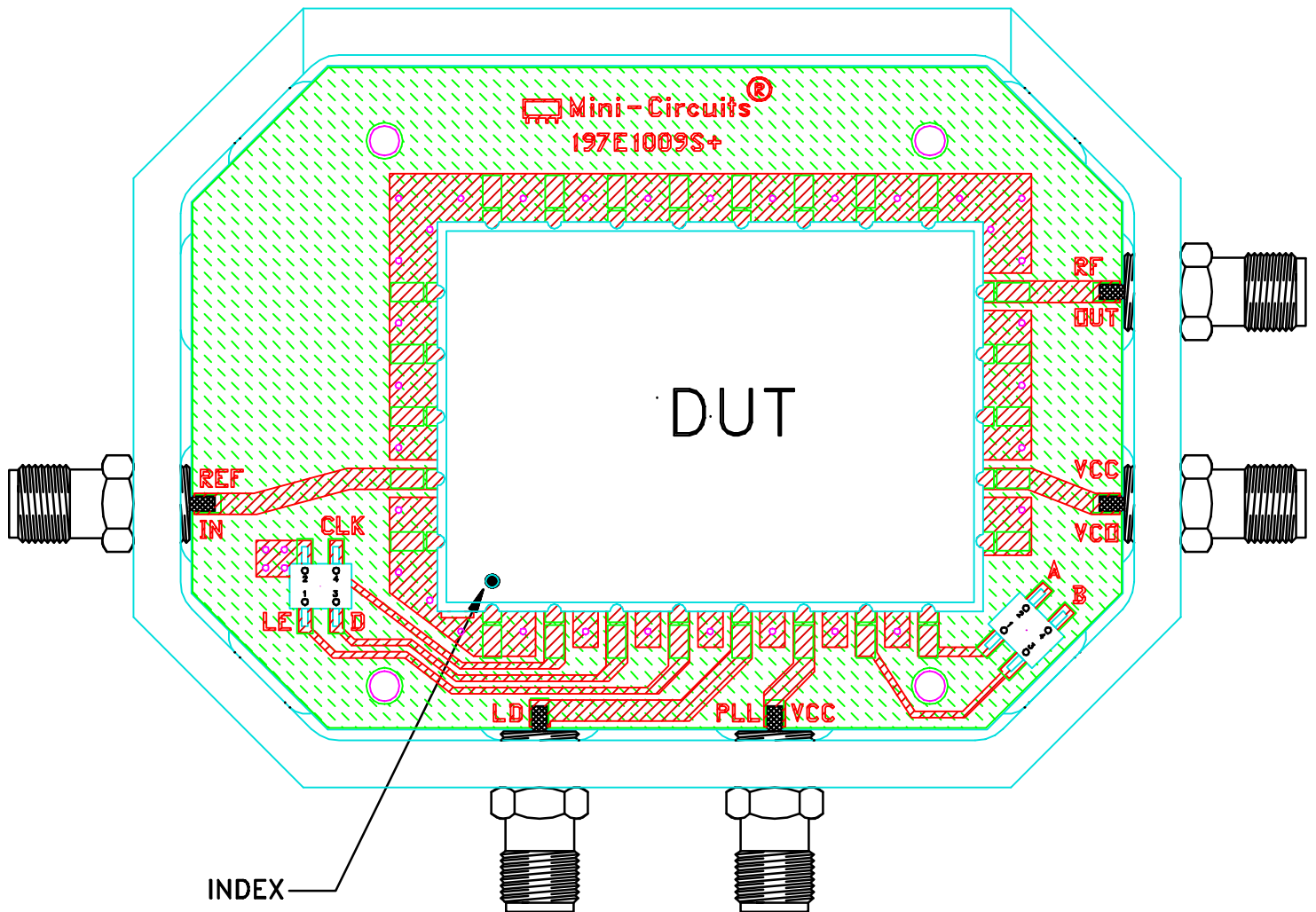


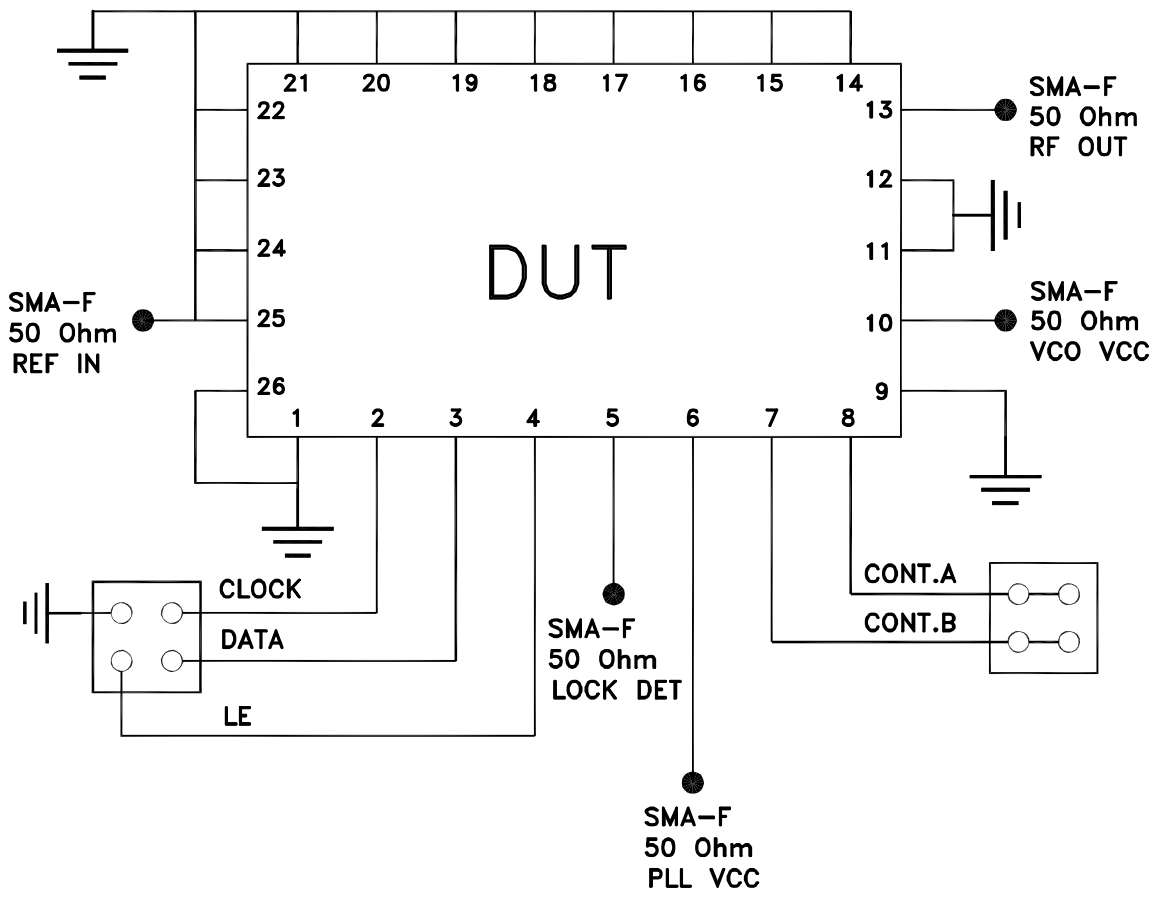
# Evaluation Board and Circuit



TB-572+

## NOTES:

1. SMA FEMALE CONNECTORS.
2. PCB MATERIAL: RO4350B OR EQUIVALENT, DIALECTRIC CONSTANT=3.5, DIALECTRIC THICKNESS=.030 INCH.



## TB-572+ Schematic Diagram