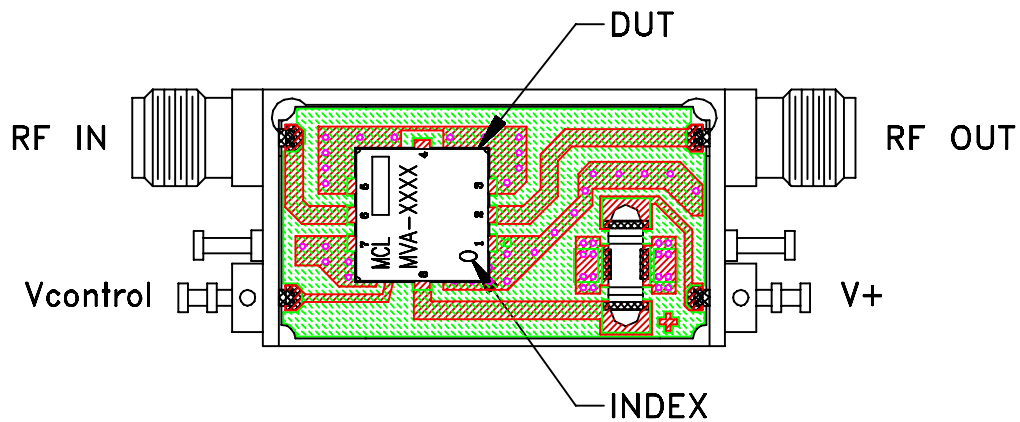
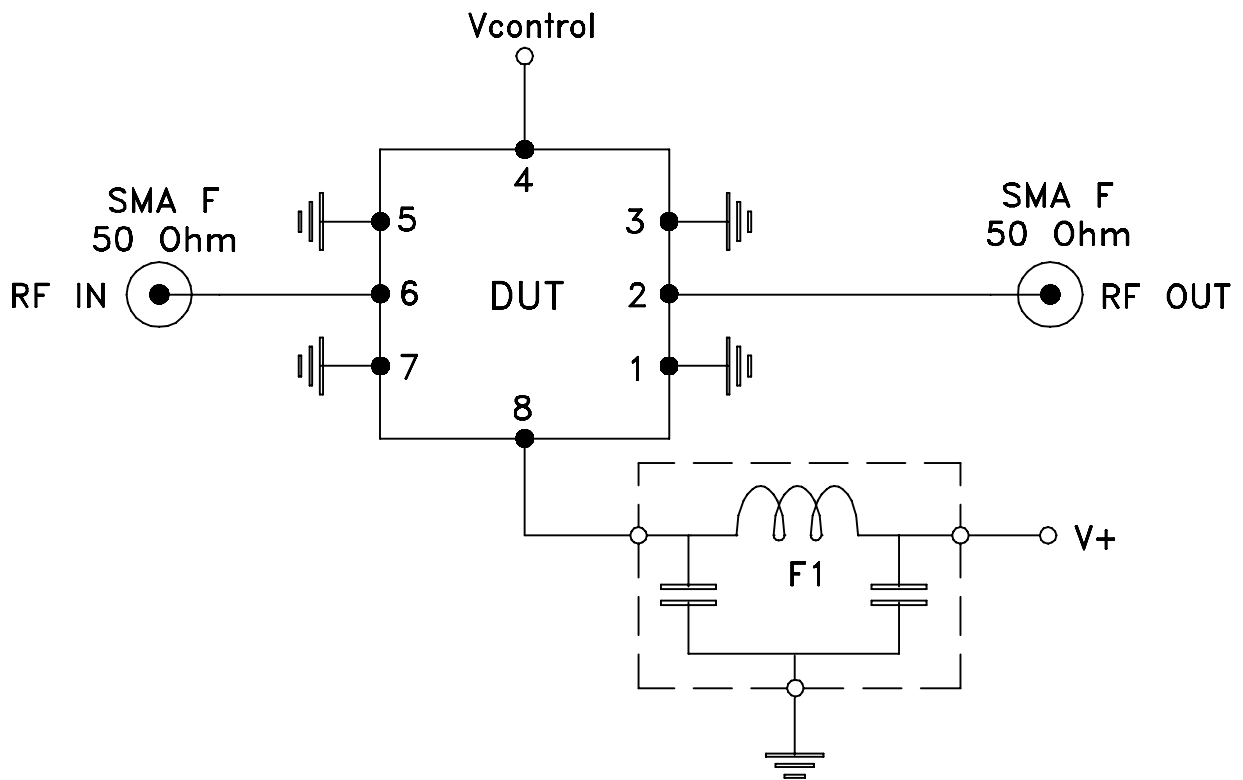


Evaluation Board and Circuit




TB-286



Schematic Diagram

Notes:

1. SMA Female connectors.
2. PCB Material: FR4 GRADE IT-180TC (ITEQ CORPORATION)
Dielectric Constant=4.5, Thickness=.025 inch.

 **Mini-Circuits®**