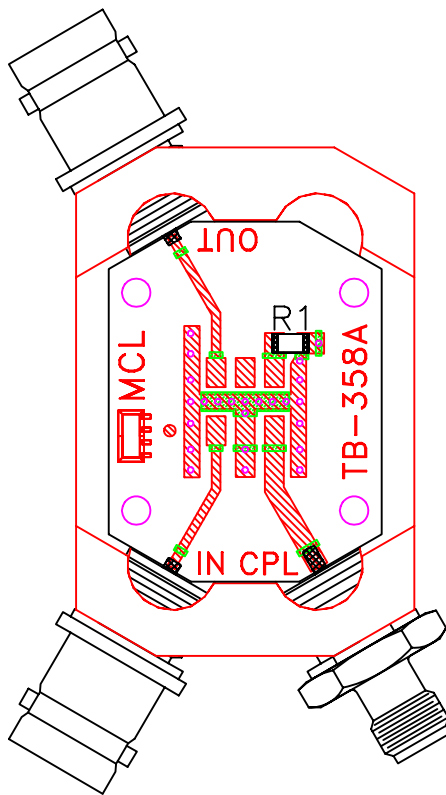
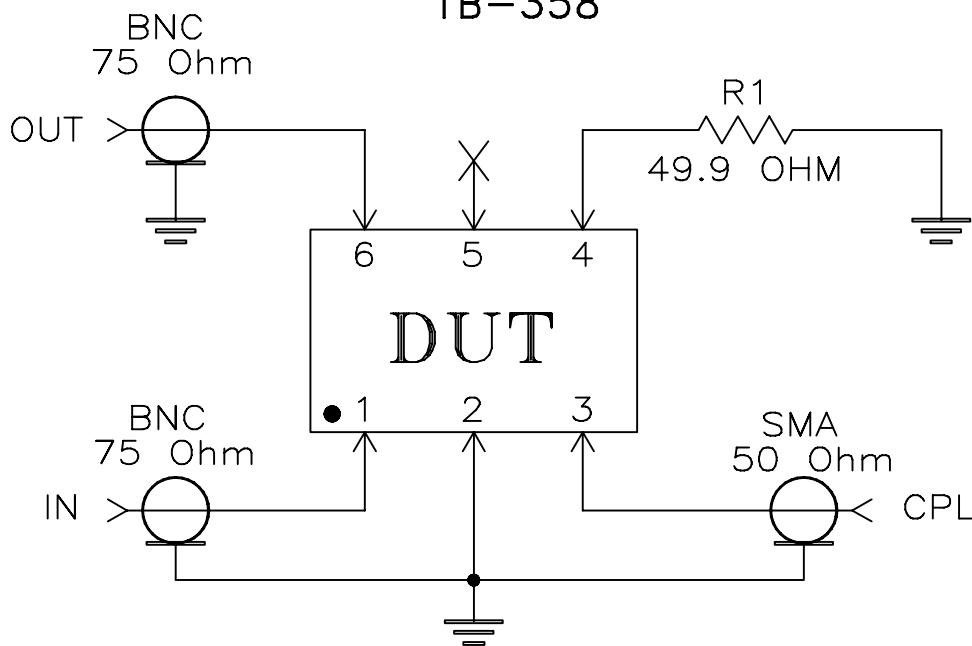


Evaluation Board and Circuit




TB-358



Schematic Diagram

Notes:

1. BNC and SMA Female connectors
2. PCB Material: Rogers RO4350 or equivalent,
Dielectric Constant=3.5, Thickness=.030 inch.

 Mini-Circuits®