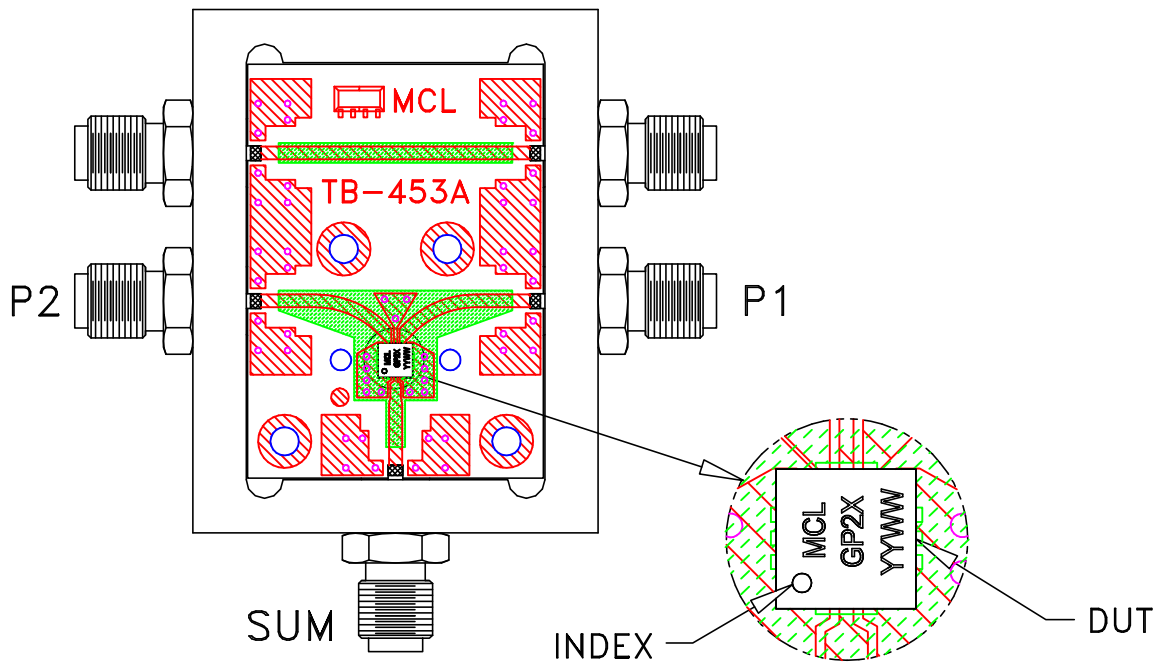
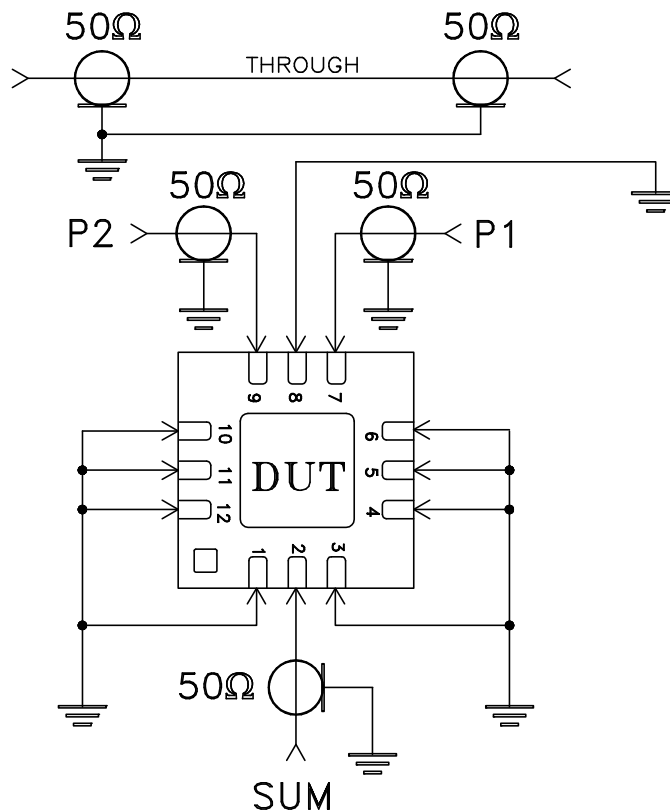


# Evaluation Board and Circuit




TB-453-GP2X+



## Notes:

1. SMA Female connectors.
2. PCB Material: Rogers R04350 or equivalent, Dielectric Constant=3.5, Thickness=.020 inch.

Schematic Diagram

 **Mini-Circuits®**