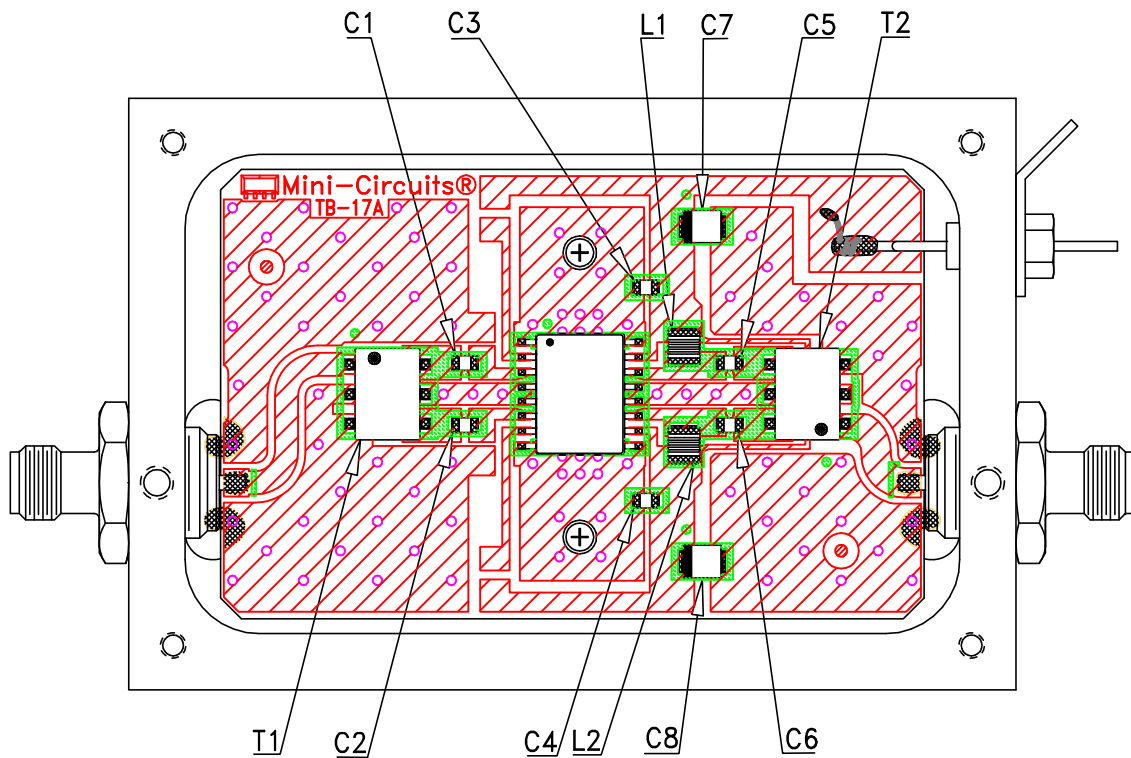
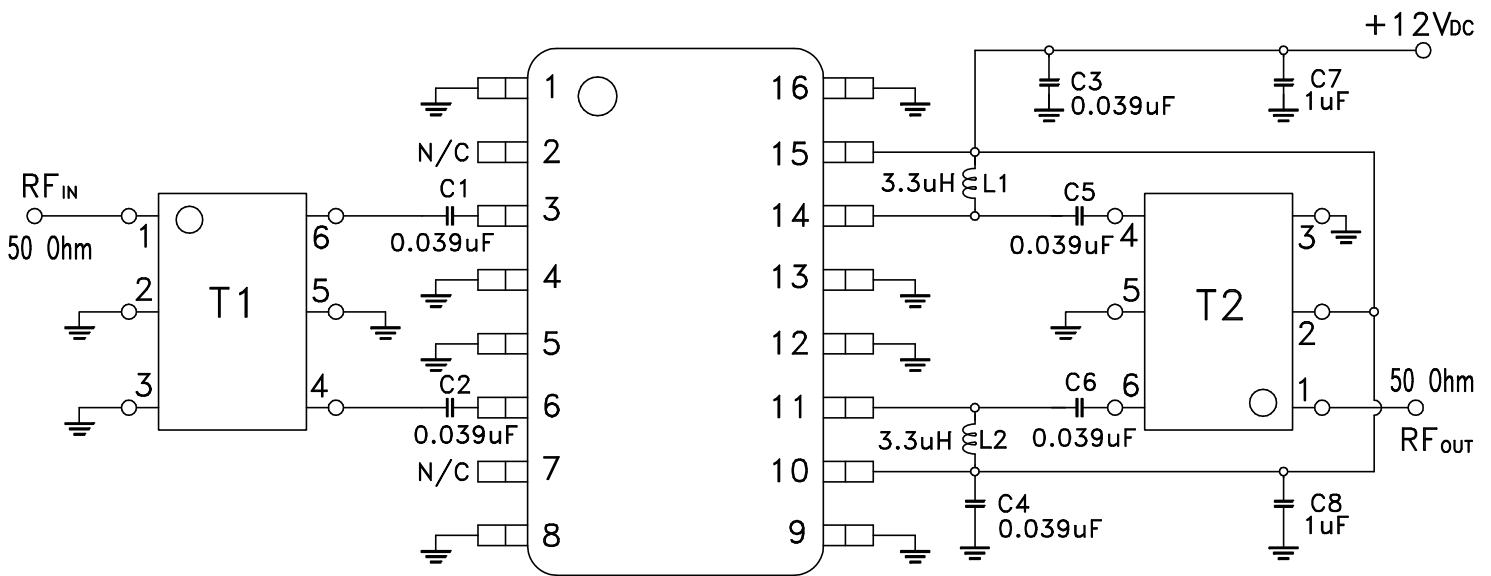


Evaluation Board and Circuit




TB-45



Schematic Diagram

Notes:

1. 50 Ohm SMA Female connectors.
2. PCB Material: FR4 or equivalent, Dielectric Constant=4.7, Thickness=.059 inch.

 **Mini-Circuits®**