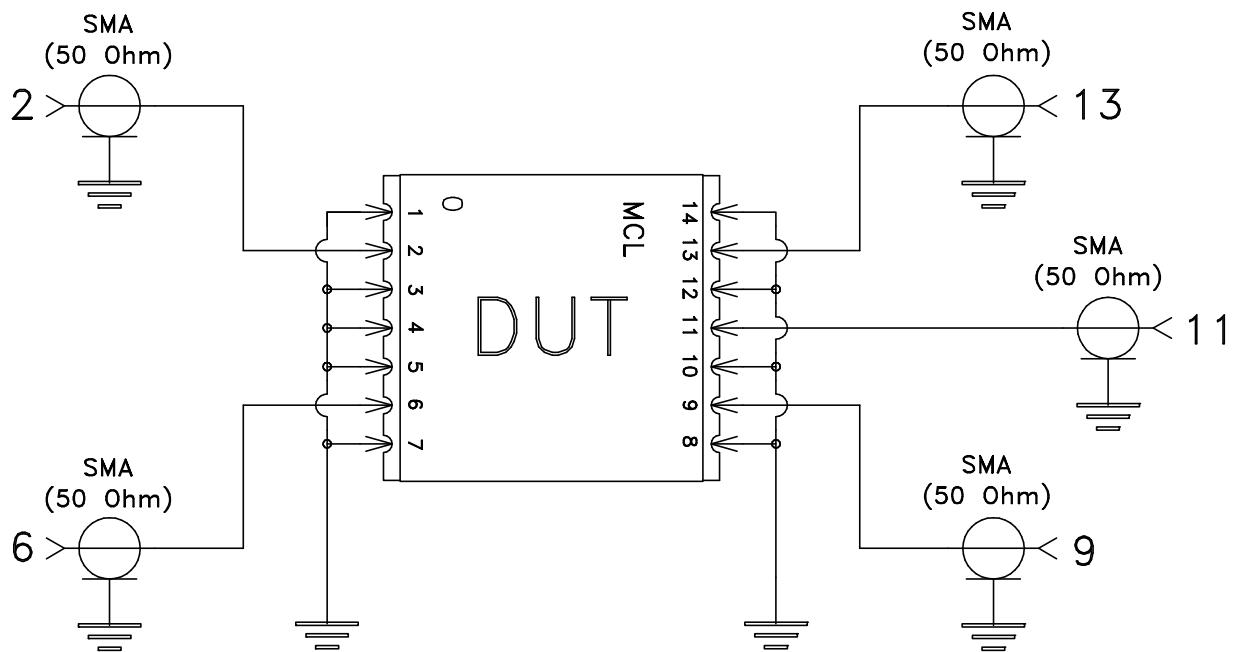
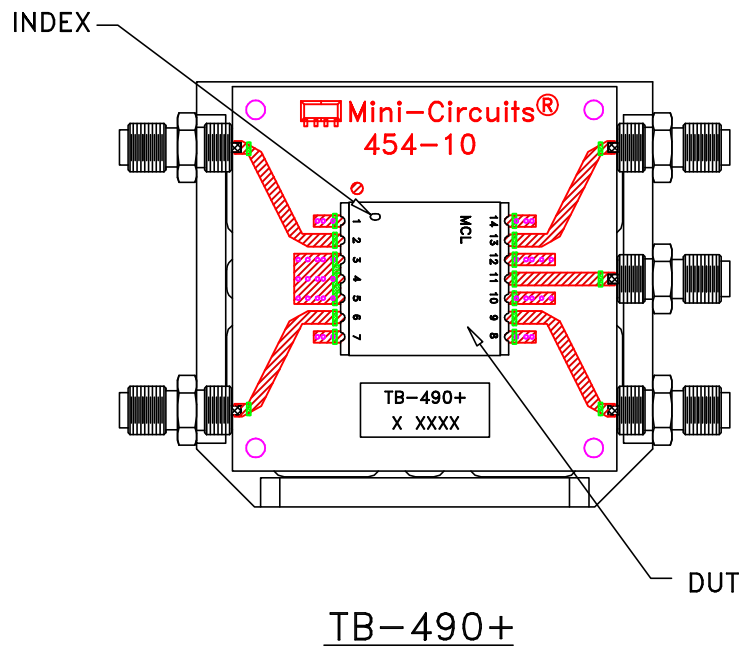


# Evaluation Board and Circuit


For Pin Connections refer to Data Sheet of the DUT



## Schematic Diagram

### Notes:

1. 50 Ohm SMA Female connectors.
2. PCB Material: Rogers R04350 or equivalent, Dielectric Constant=3.5, Thickness=.030 inch.

 Mini-Circuits®