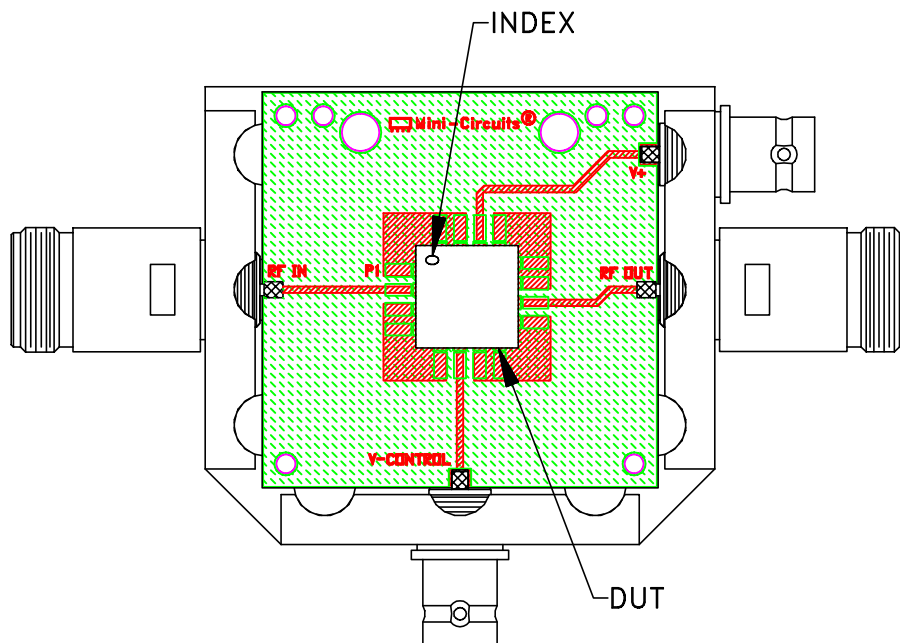
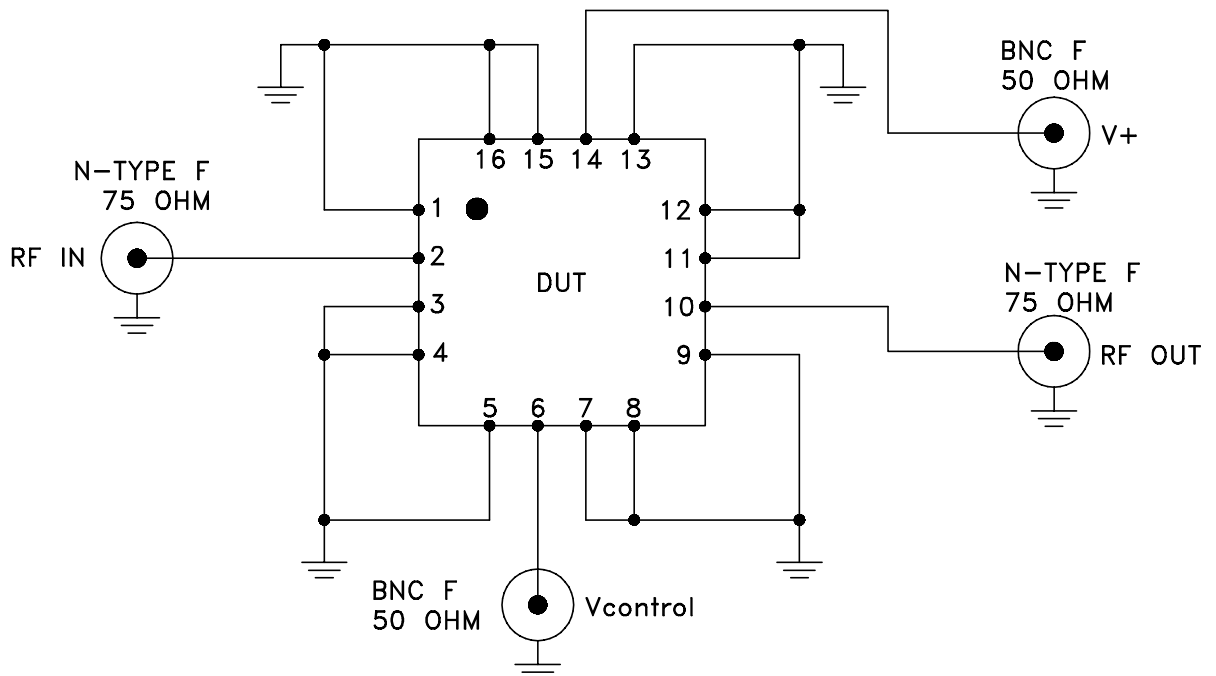


Evaluation Board and Circuit




TB-522+



Schematic Diagram

Notes:

1. BNC and N-Type Female connectors.
2. PCB Material: R4350B or equivalent,
Dielectric Constant=3.48, Thickness=.030 inch.

 **Mini-Circuits®**