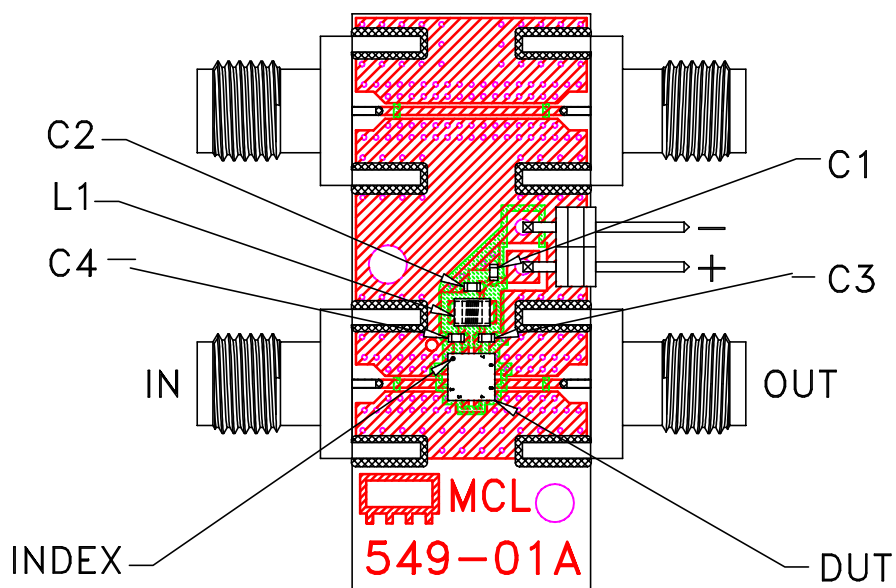
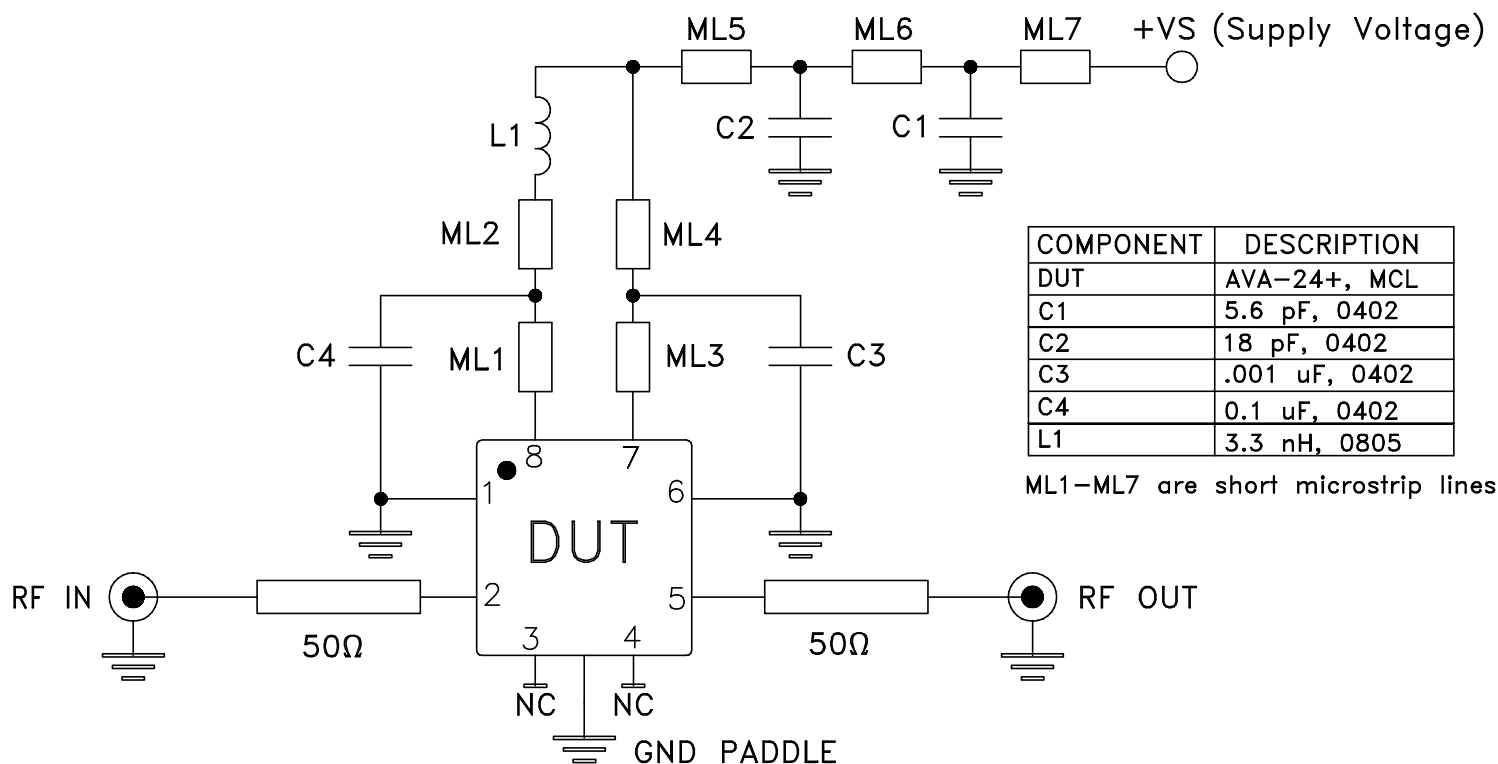


Evaluation Board and Circuit




TB-547-1+



Schematic Diagram

NOTES:

1. SMA Female connectors.
2. PCB material: Rogers R04350 or equivalent, dielectric constant=3.5, dielectric thickness=.010 inch.

 **Mini-Circuits®**