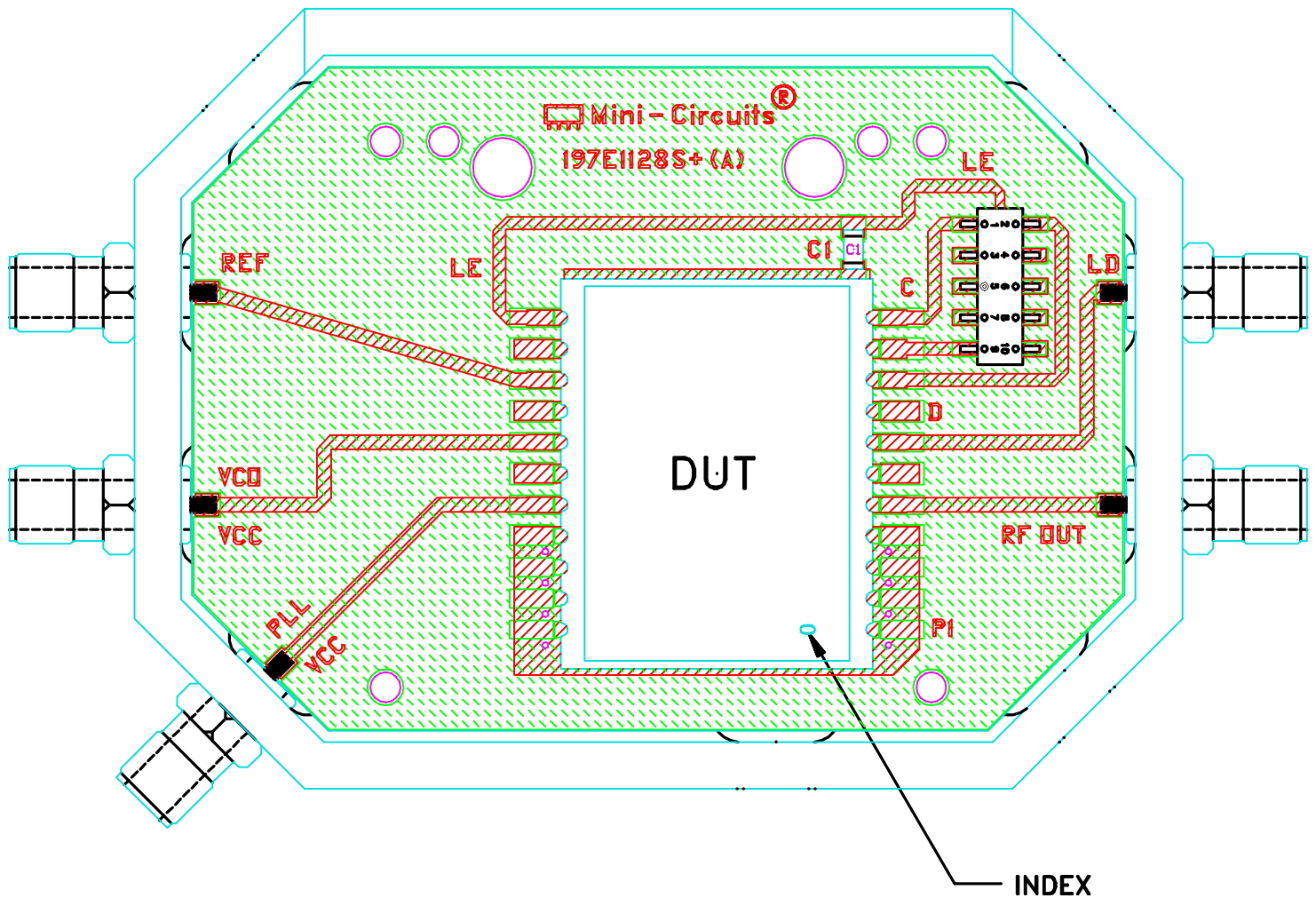


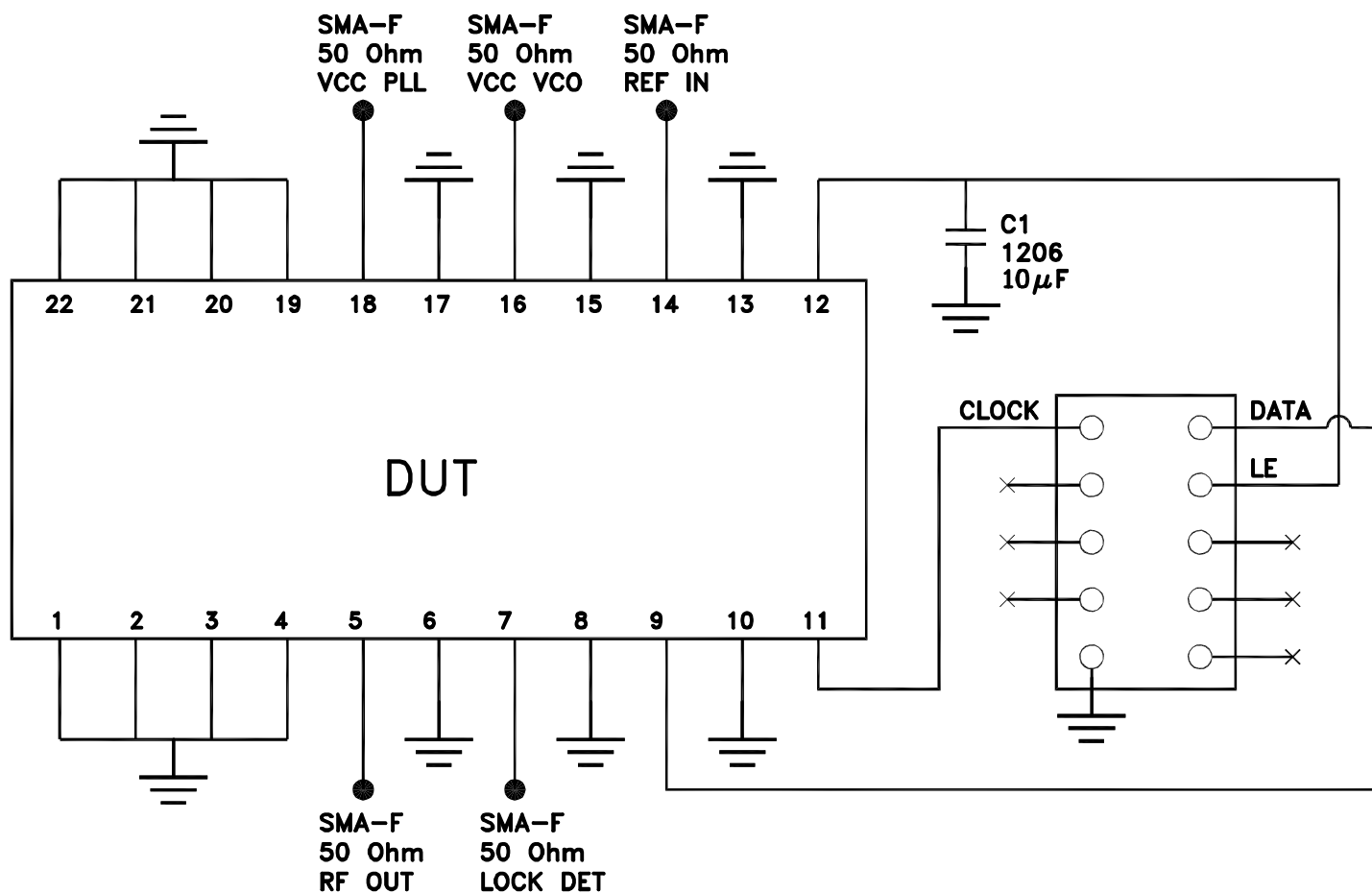
Evaluation Board and Circuit



TB-553+

NOTES:

1. SMA FEMALE CONNECTORS.
2. PCB MATERIAL: RO4350B OR EQUIVALENT, DIALECTRIC CONSTANT=3.5, DIALECTRIC THICKNESS=.020 INCH.



TB-553+ Schematic Diagram