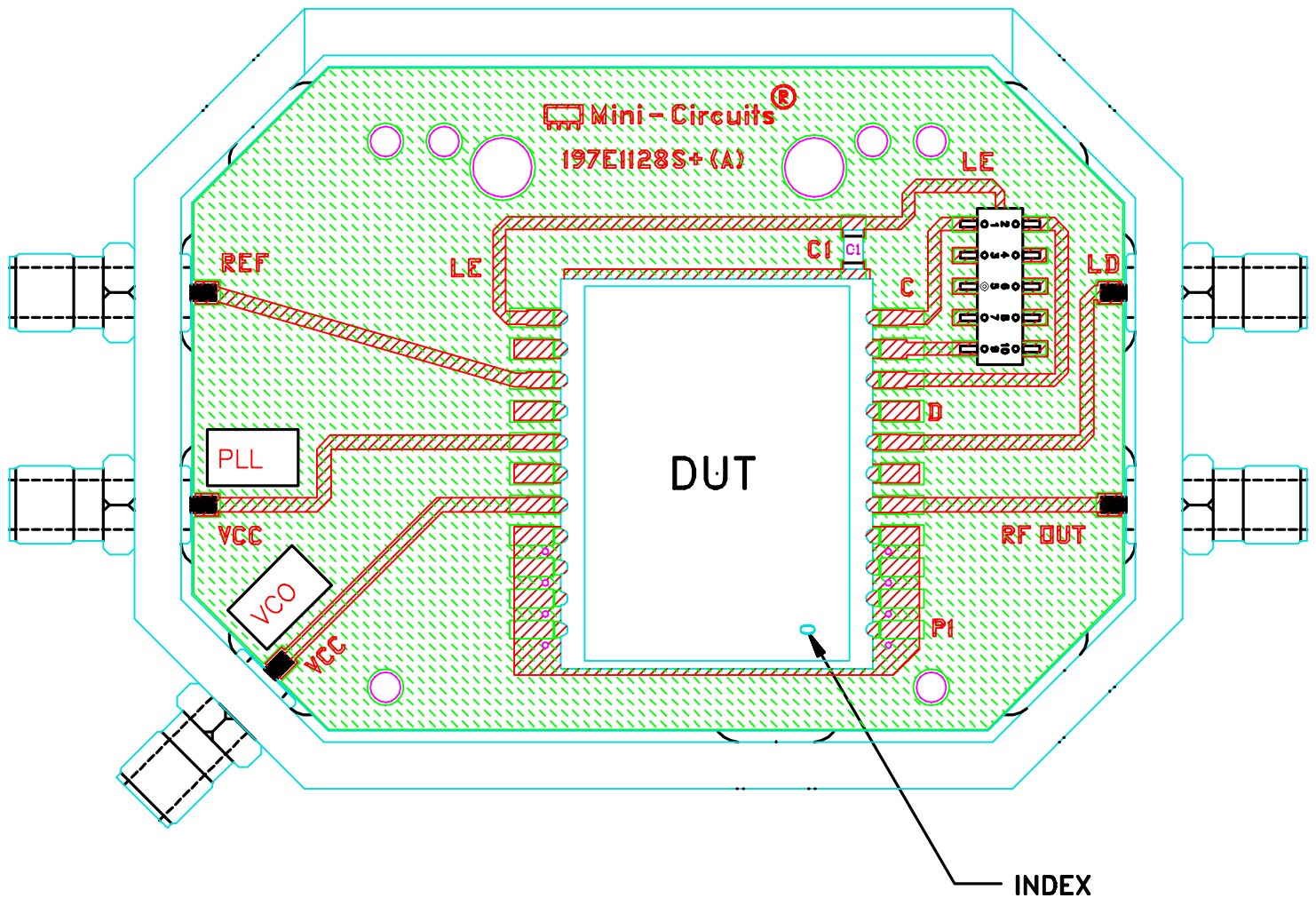


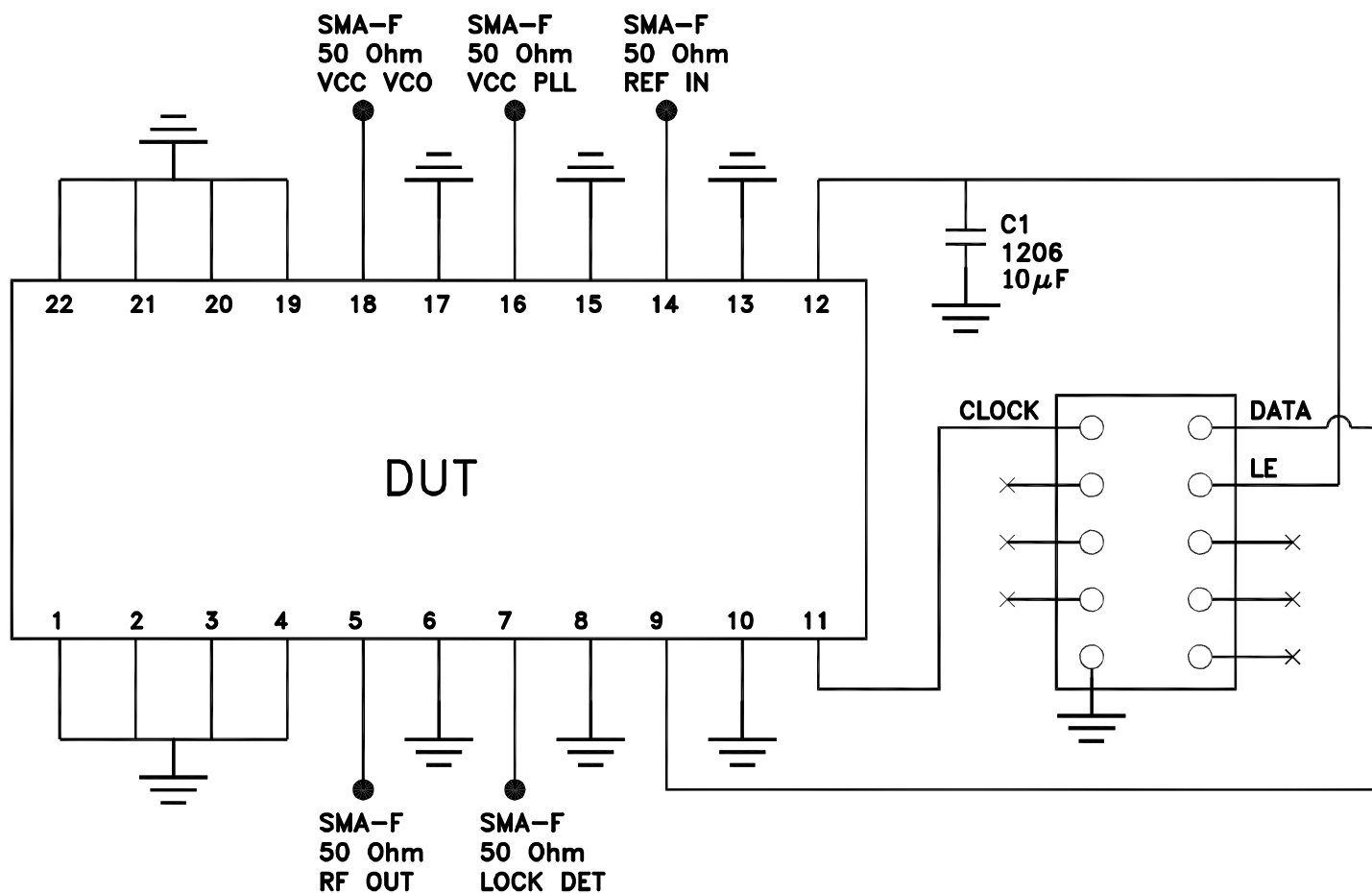
# Evaluation Board and Circuit



TB-553-1+

## NOTES:

1. SMA FEMALE CONNECTORS.
2. PCB MATERIAL: RO4350B OR EQUIVALENT, DIALECTRIC CONSTANT=3.5, DIALECTRIC THICKNESS=.020 INCH.



## TB-553-1+ Schematic Diagram