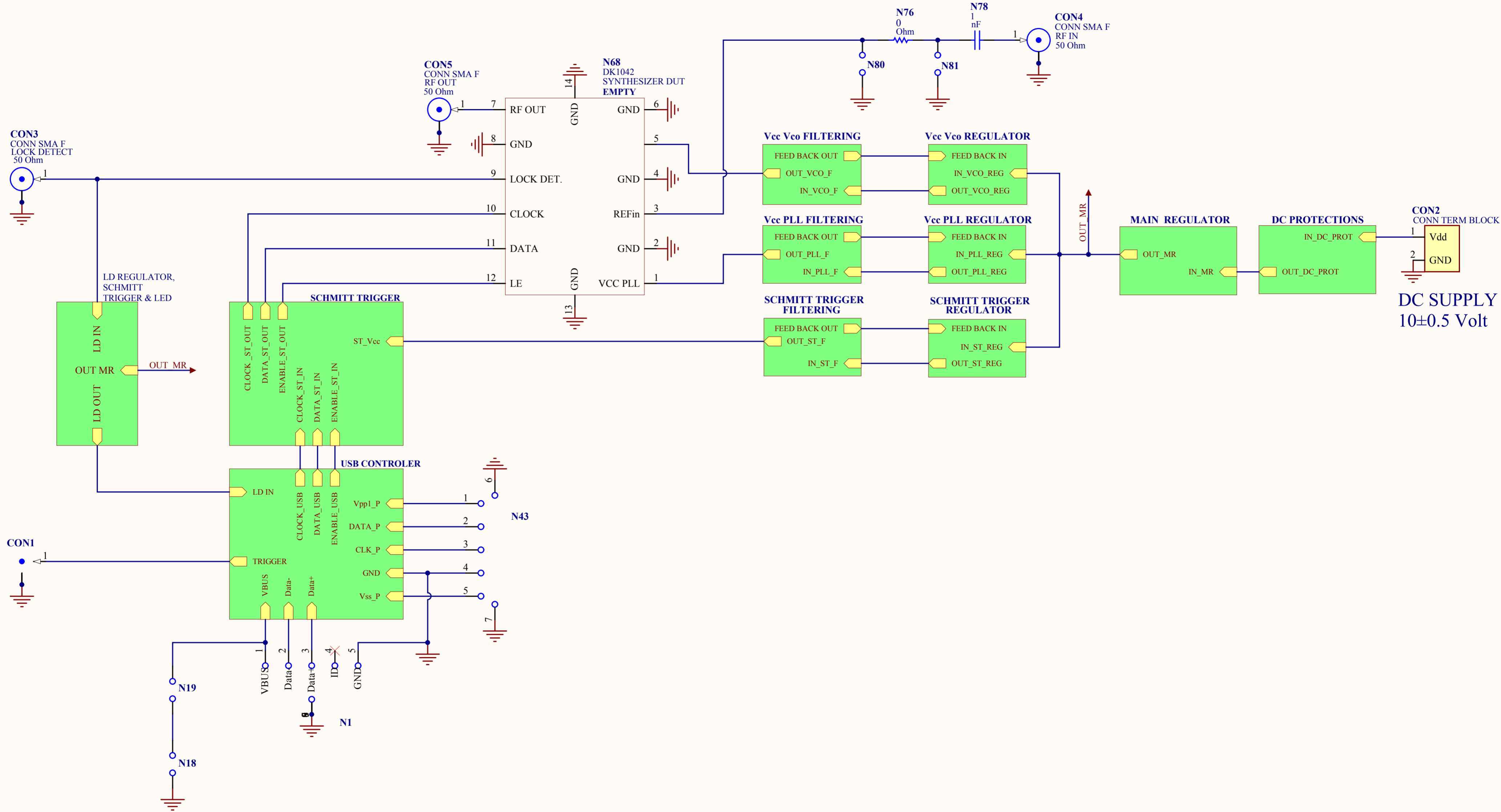
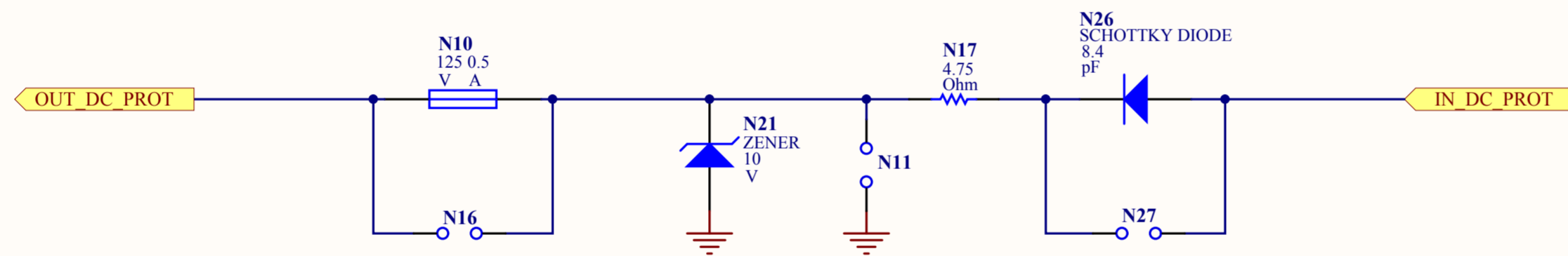


# ELECTRICAL SCHEME-GENERAL

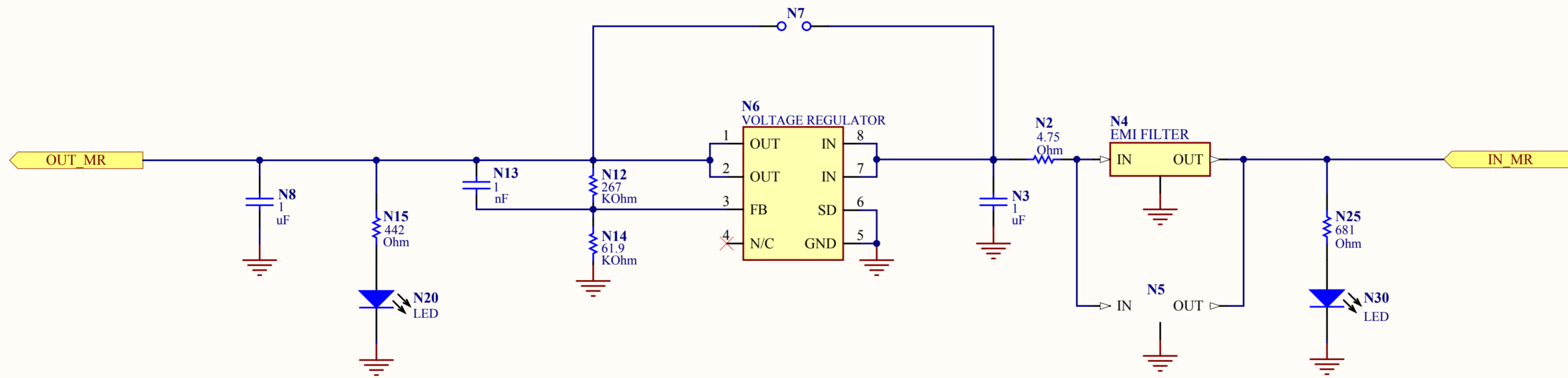
(TB for KSN)



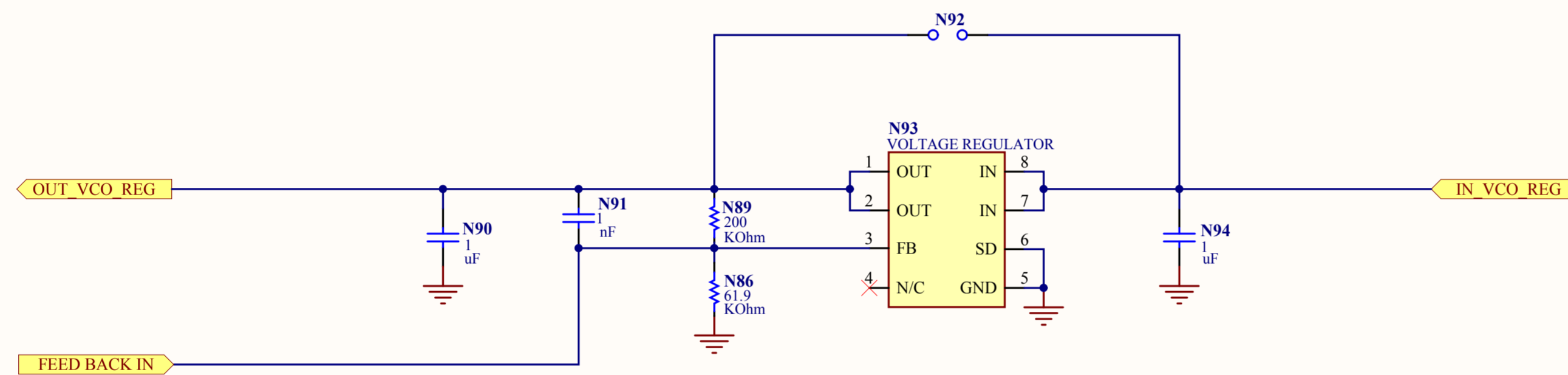
## DC PROTECTIONS



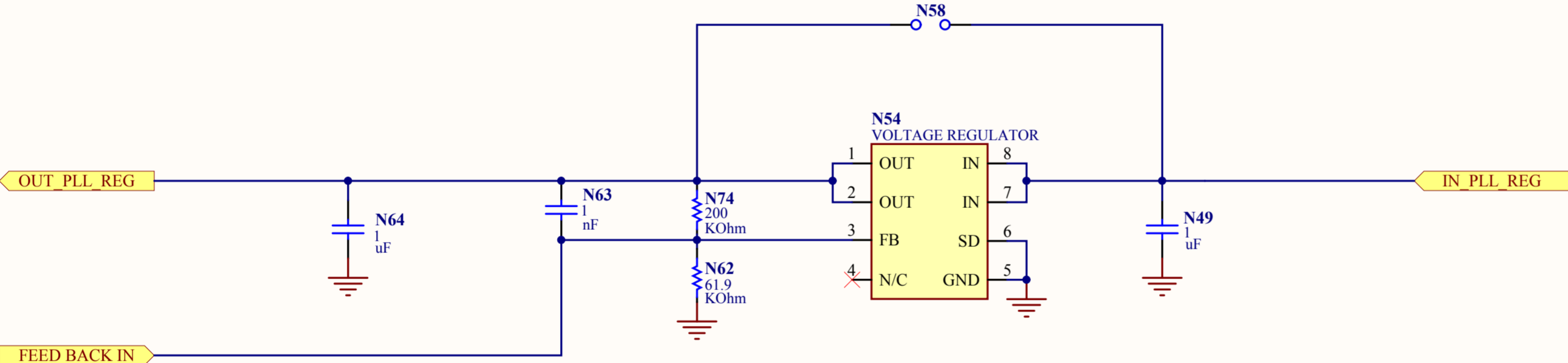
## MAIN REGULATOR



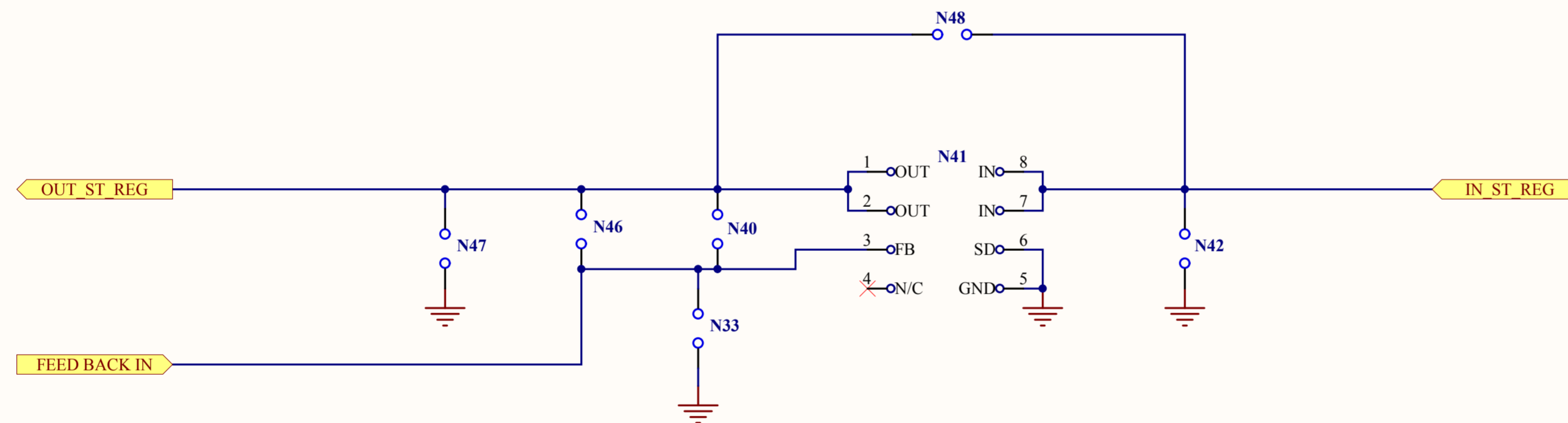
## VCC VCO REGULATOR



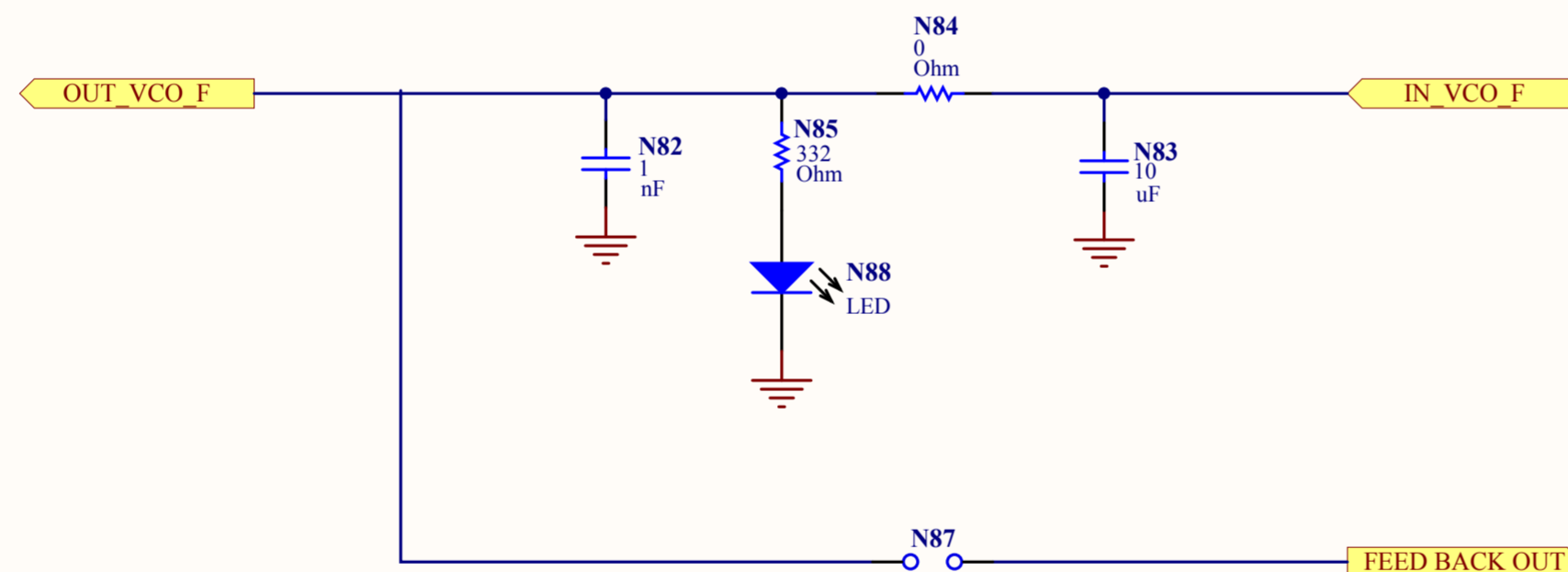
**VCC PLL REGULATOR**



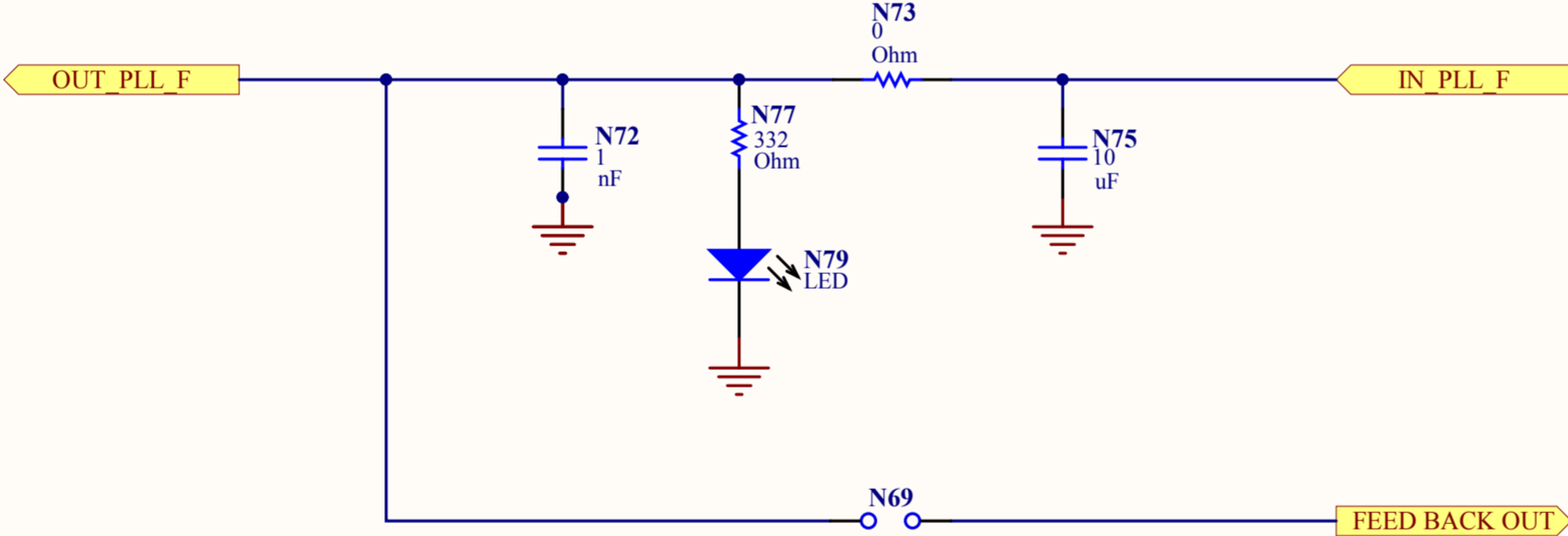
## SCHMITT TRIGGER REGULATOR



## VCC VCO FILTERING

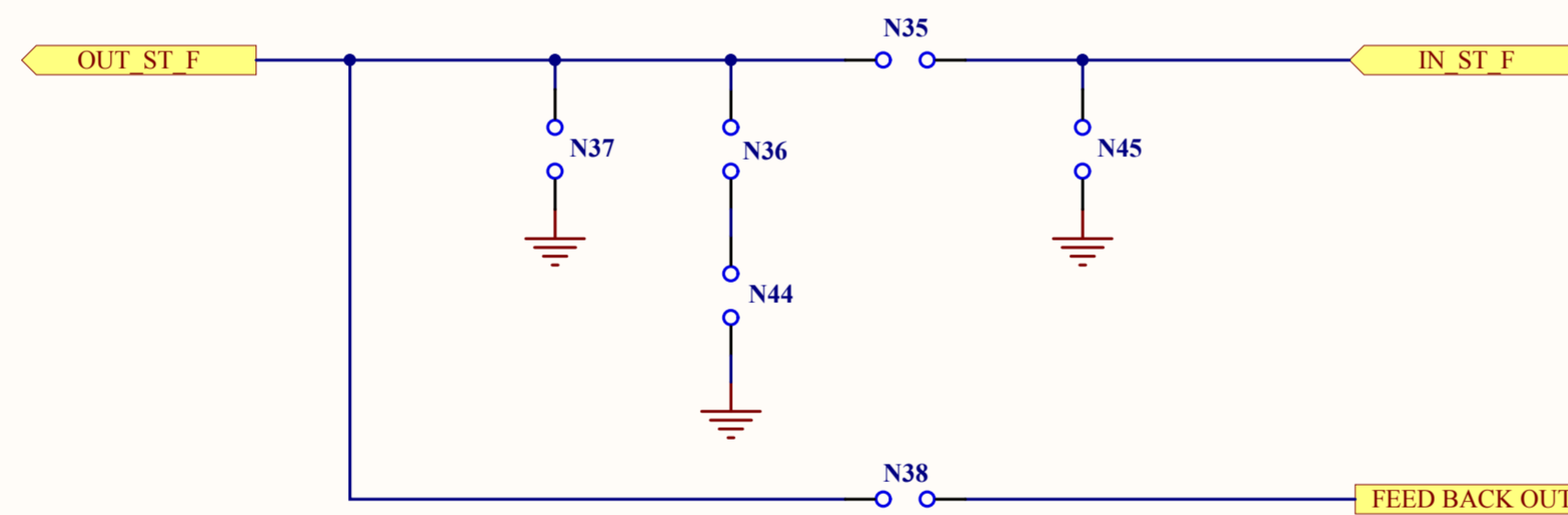


VCC PLL FILTERING

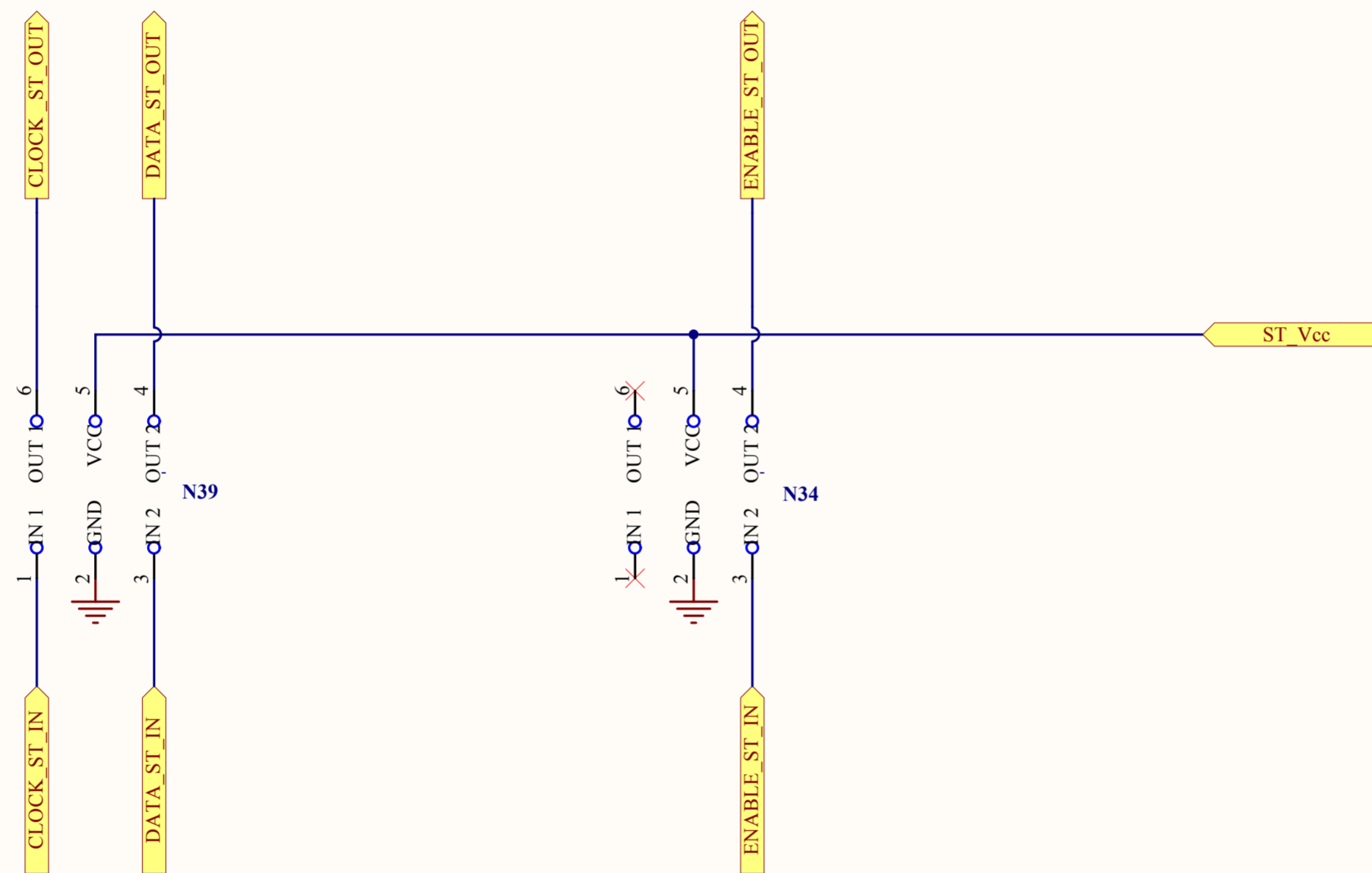




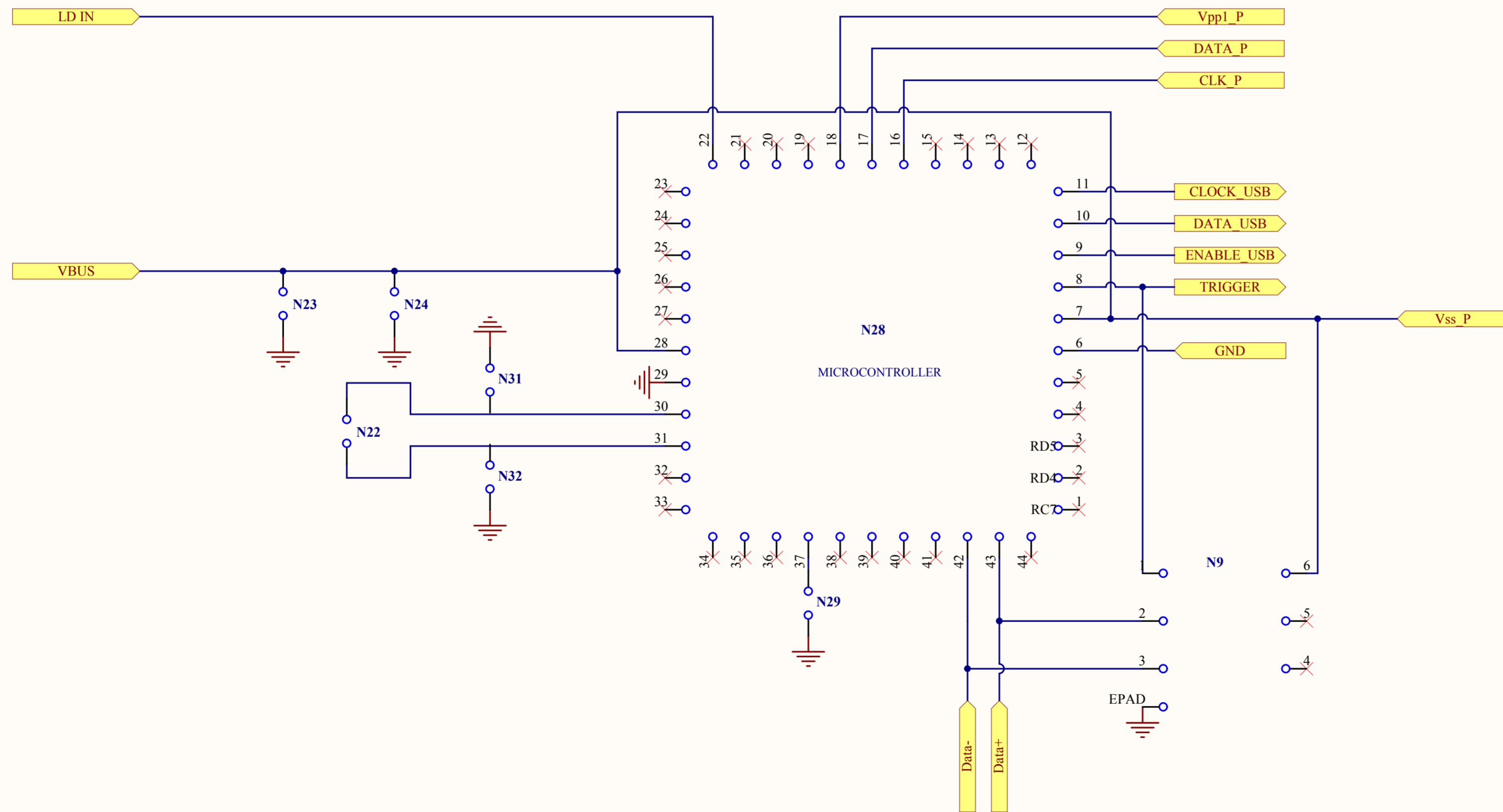
## SCHMITT TRIGGER FILTERING



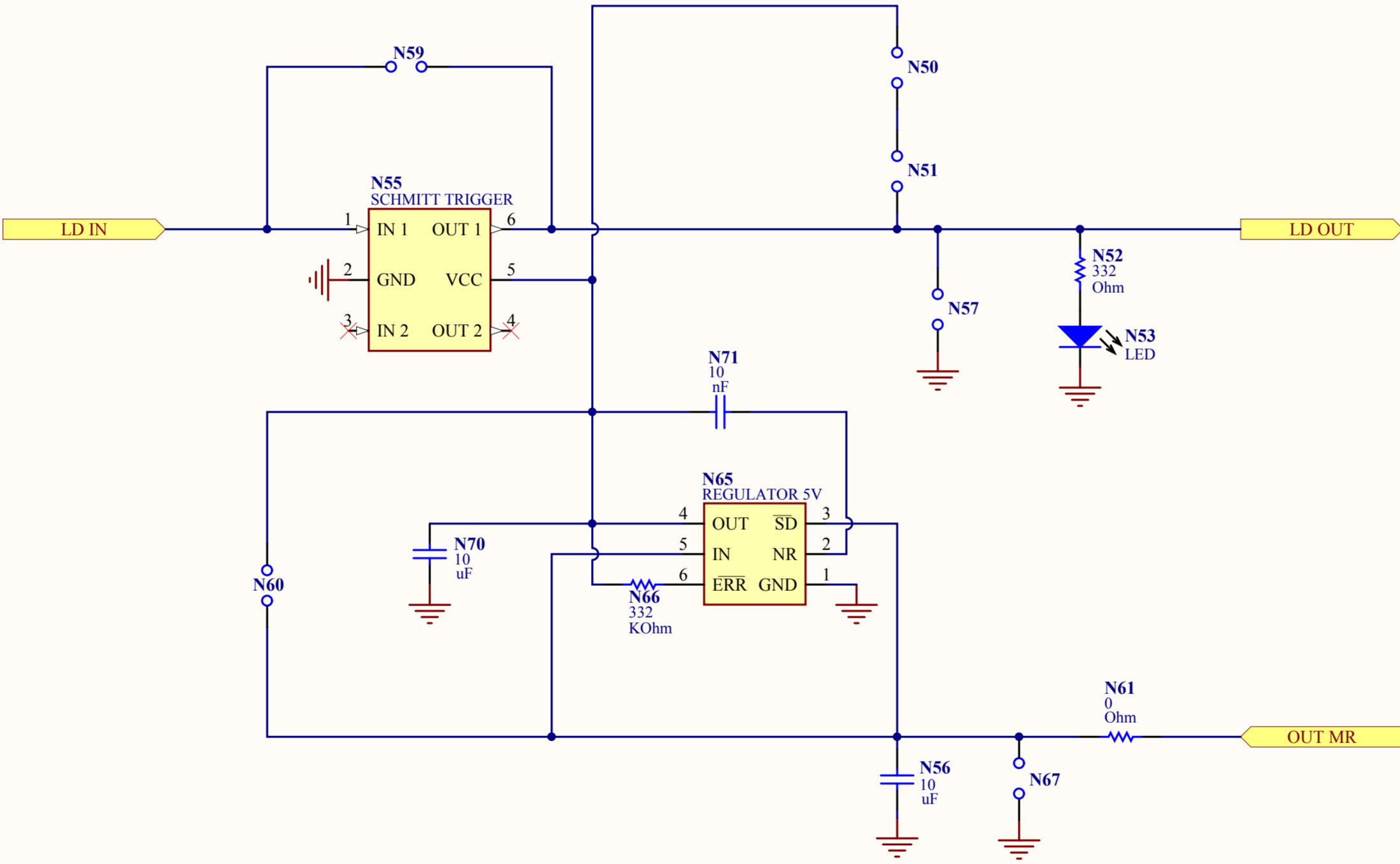
## SCHMITT TRIGGER



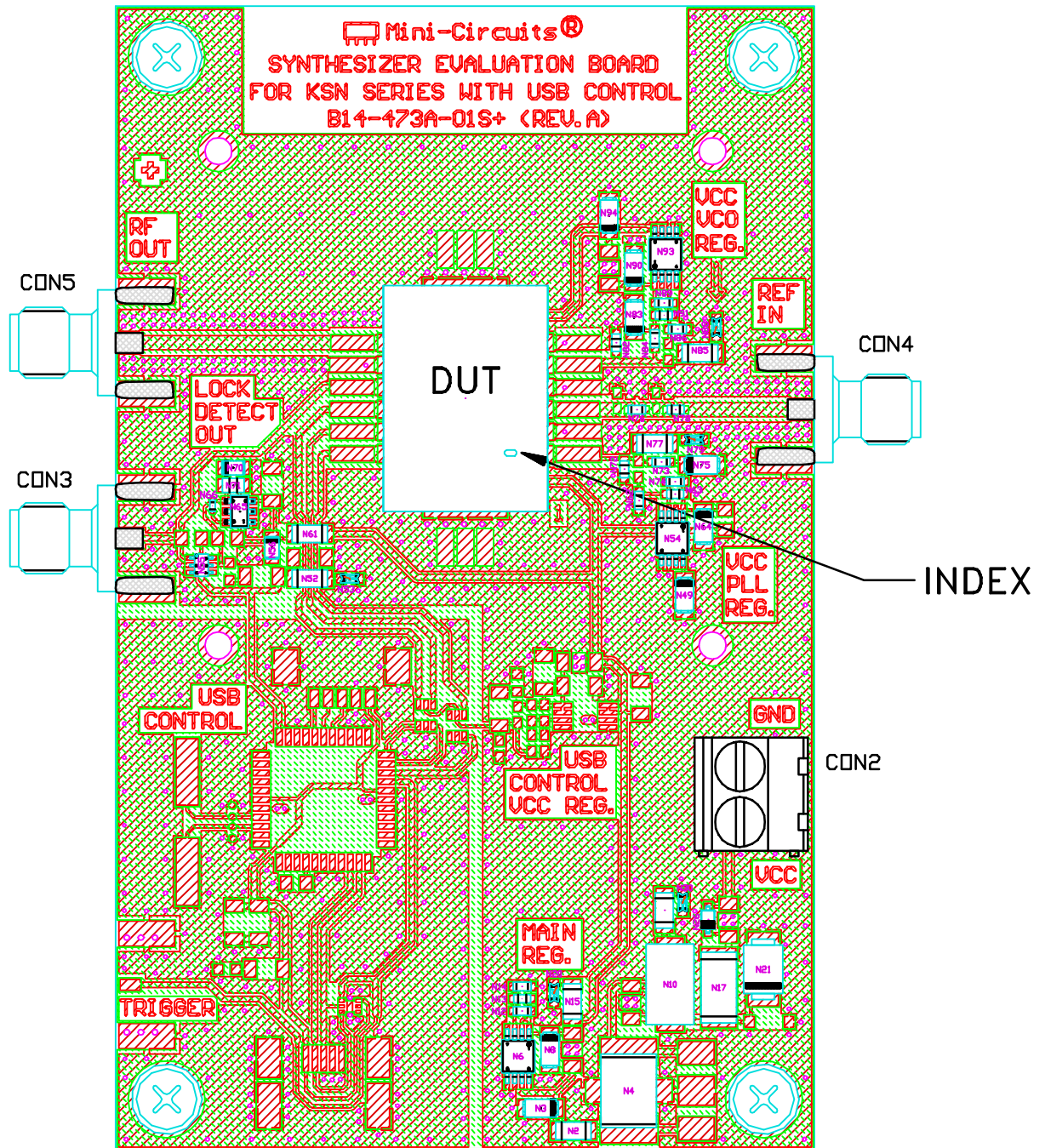
## USB CONTROLER



**LD REGULATOR SCHMITT TRIGGER AND LED**

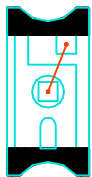


# Evaluation Board and Circuit

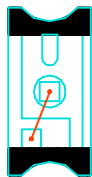


TB-567+F

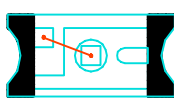
N20,N30



N88



N53,N79



## NOTES:

1. SMA F JACK CONNECTORS.
2. PCB MATERIAL: FR4 OR EQUIVALENT, DIALECTRIC CONSTANT=4.7, DIALECTRIC THICKNESS=.059 INCH.