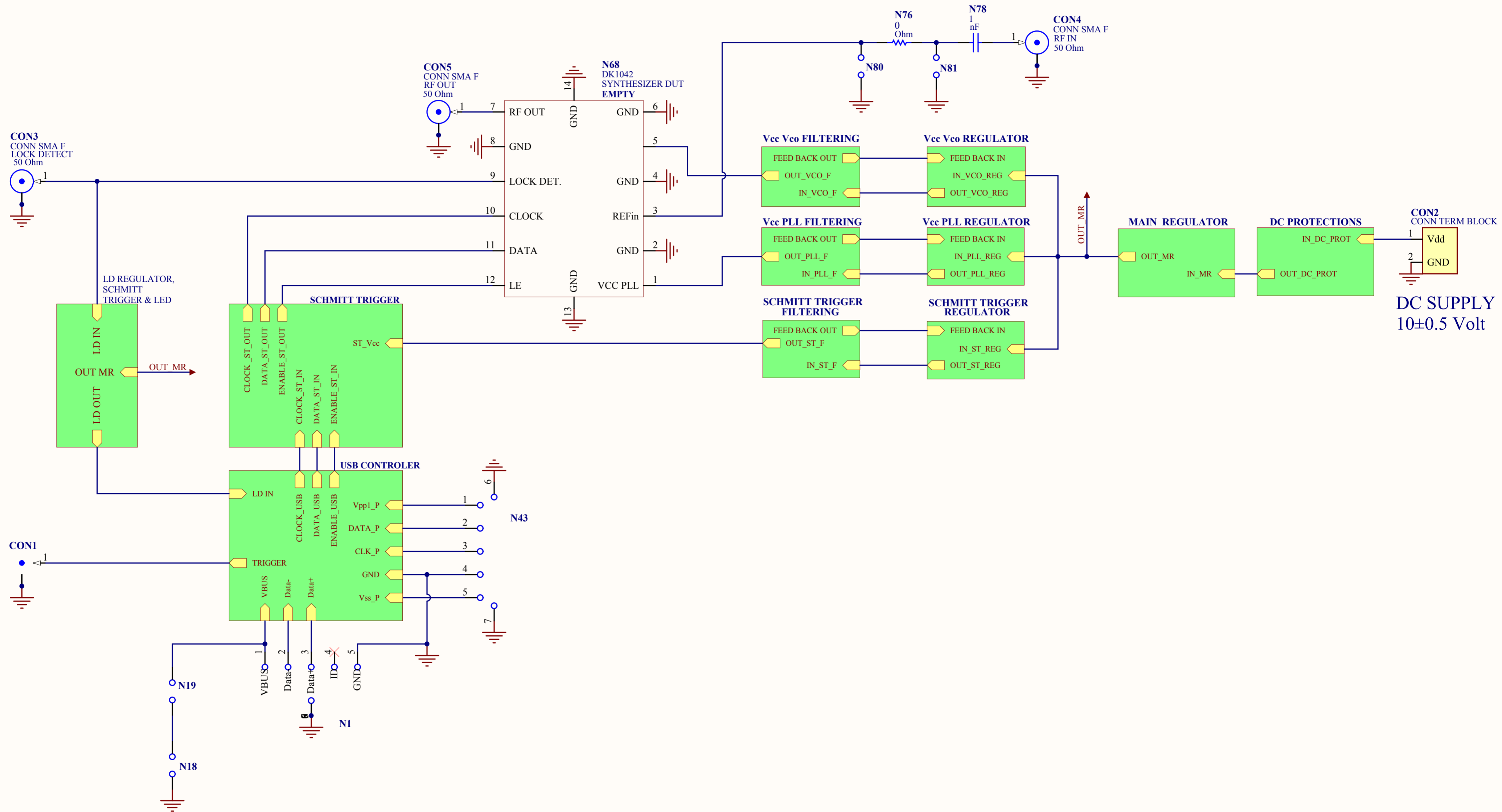
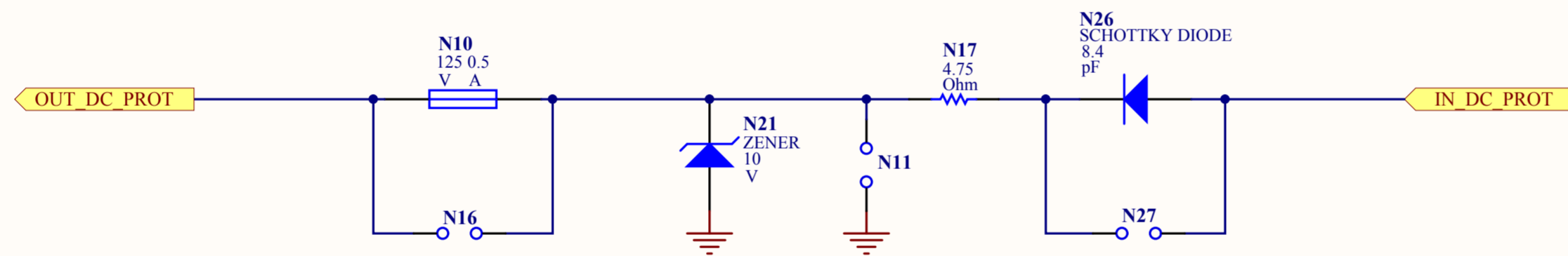


ELECTRICAL SCHEME-GENERAL

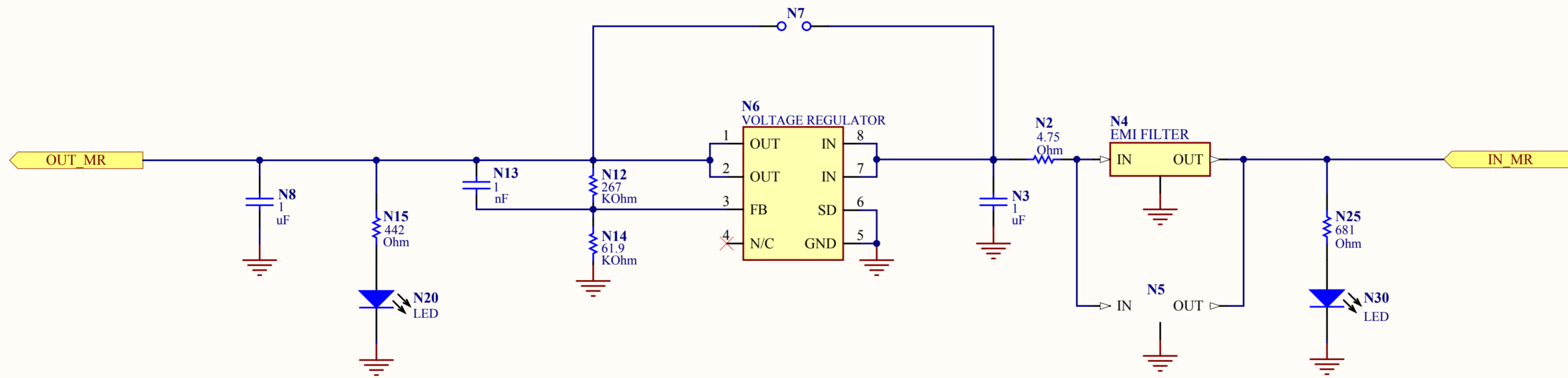
(TB for KSN)



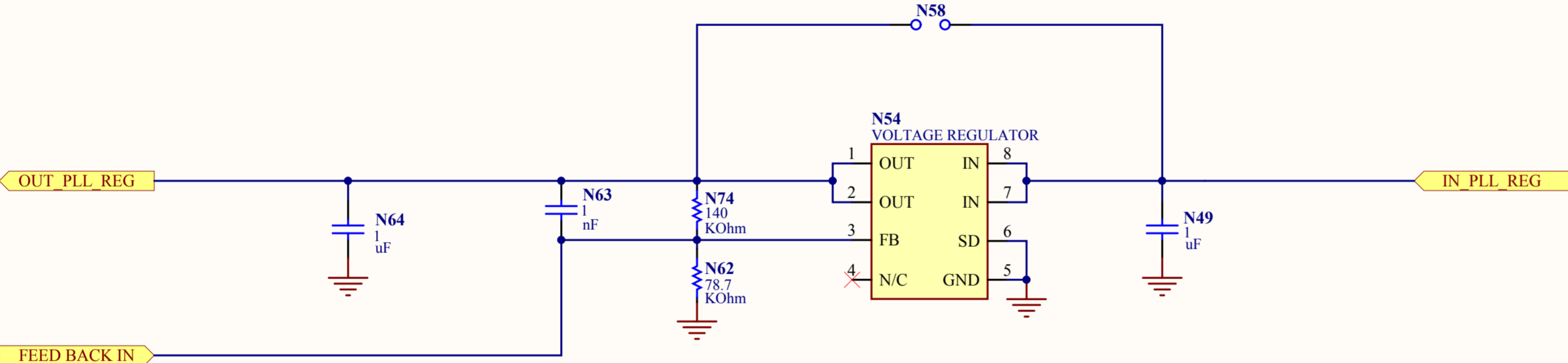
DC PROTECTIONS



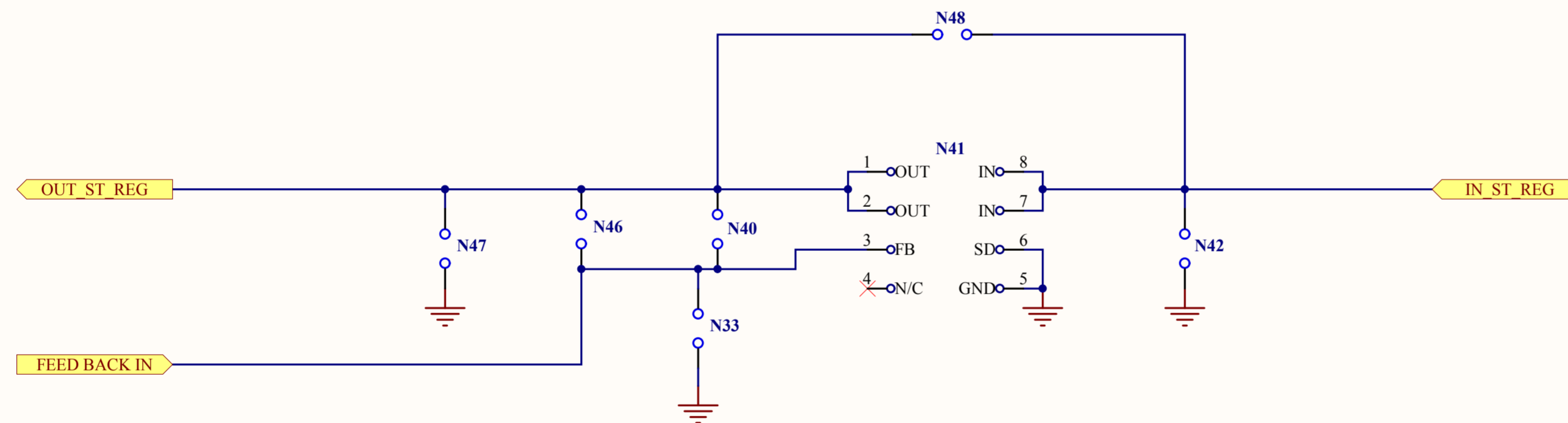
MAIN REGULATOR



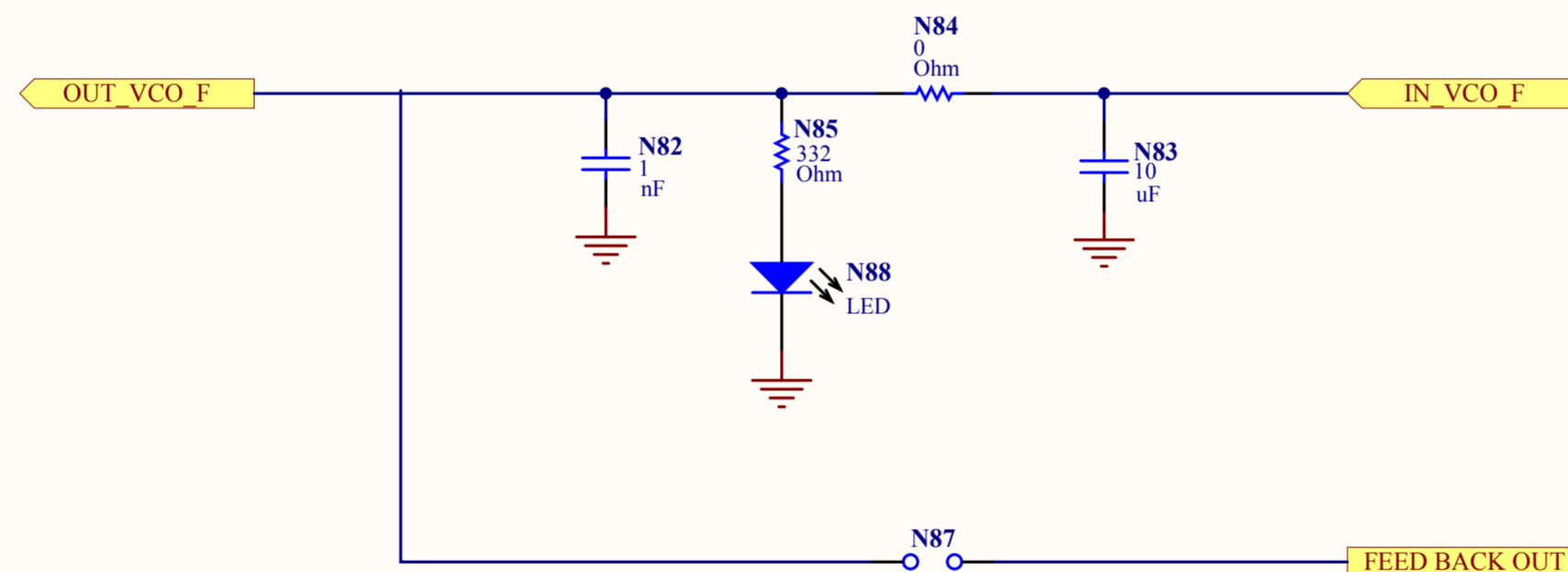
VCC PLL REGULATOR



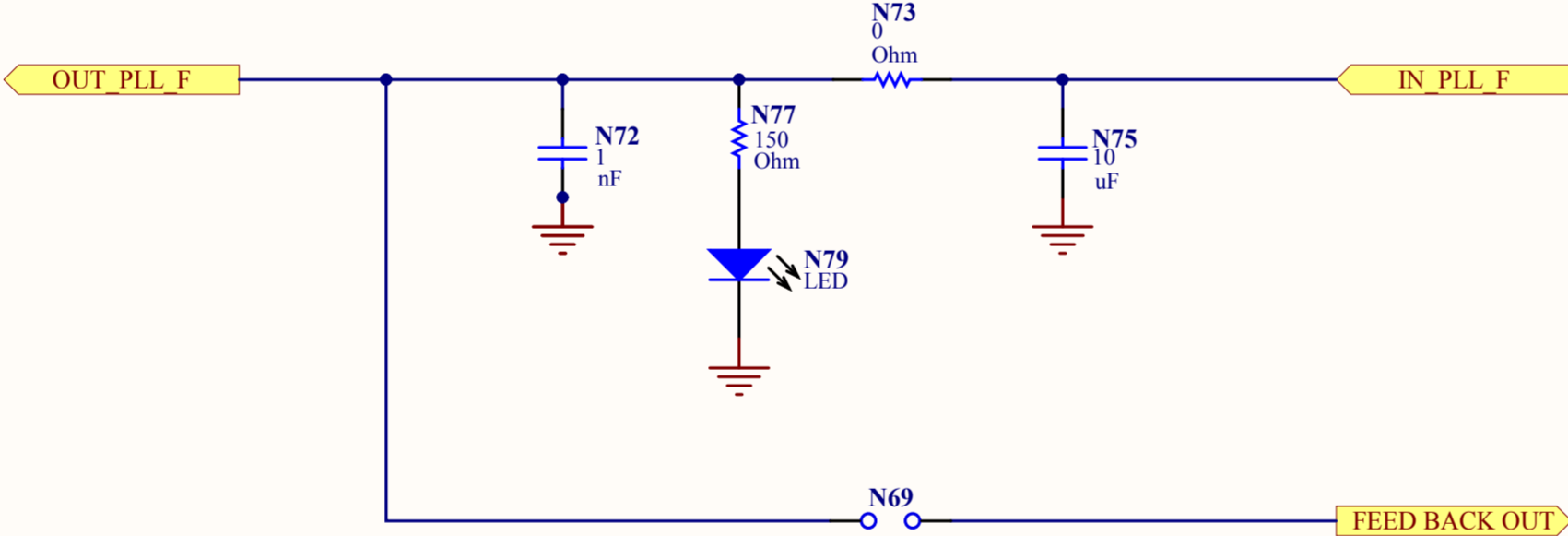
SCHMITT TRIGGER REGULATOR



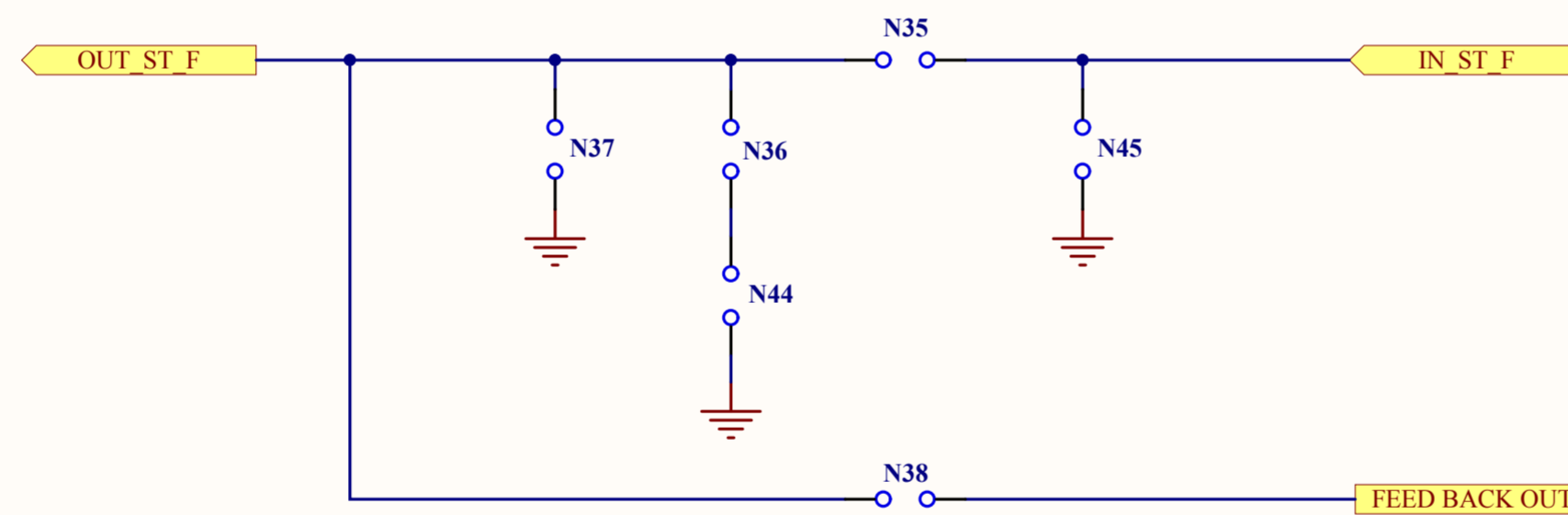
VCC VCO FILTERING



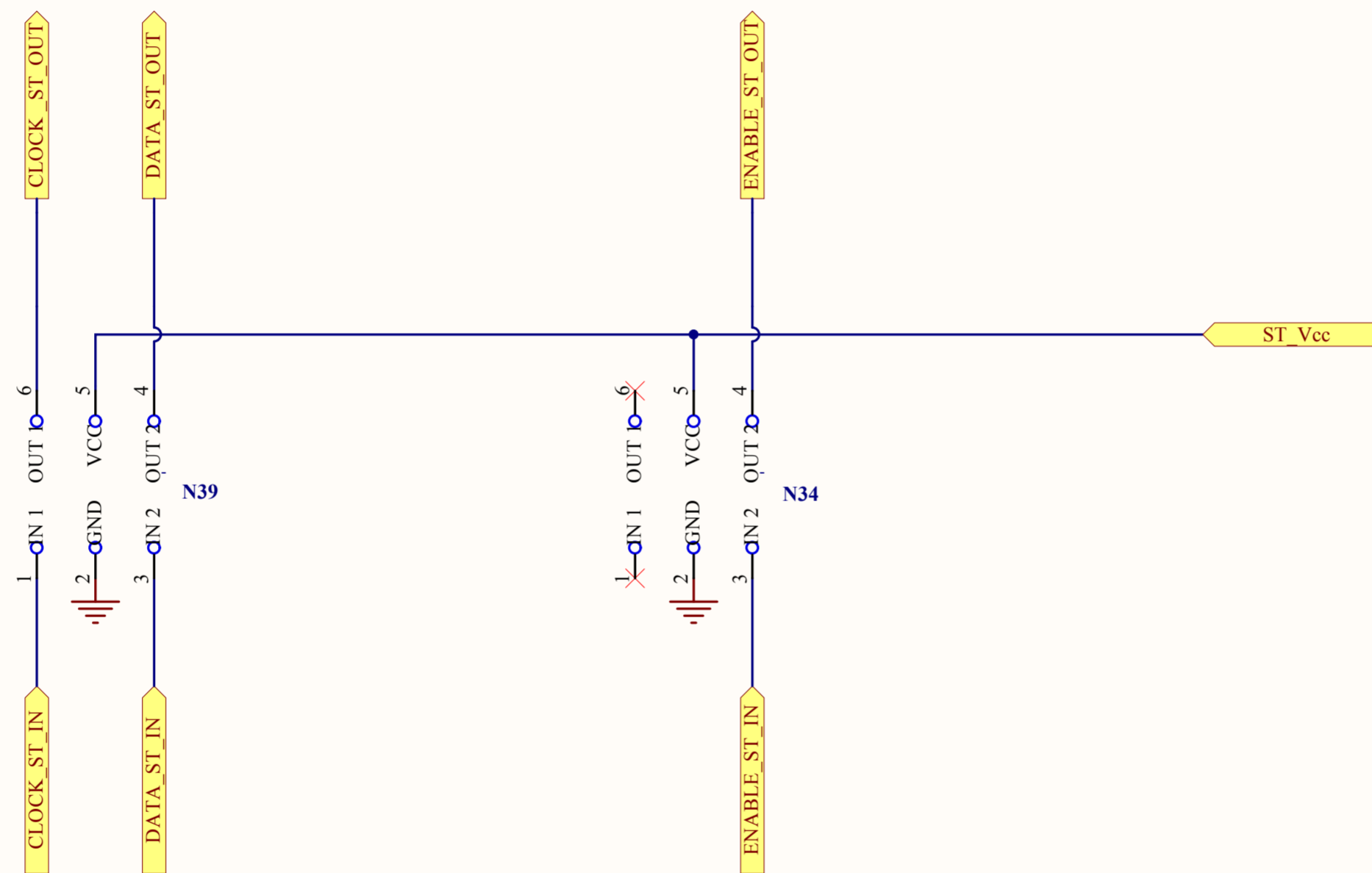
VCC PLL FILTERING



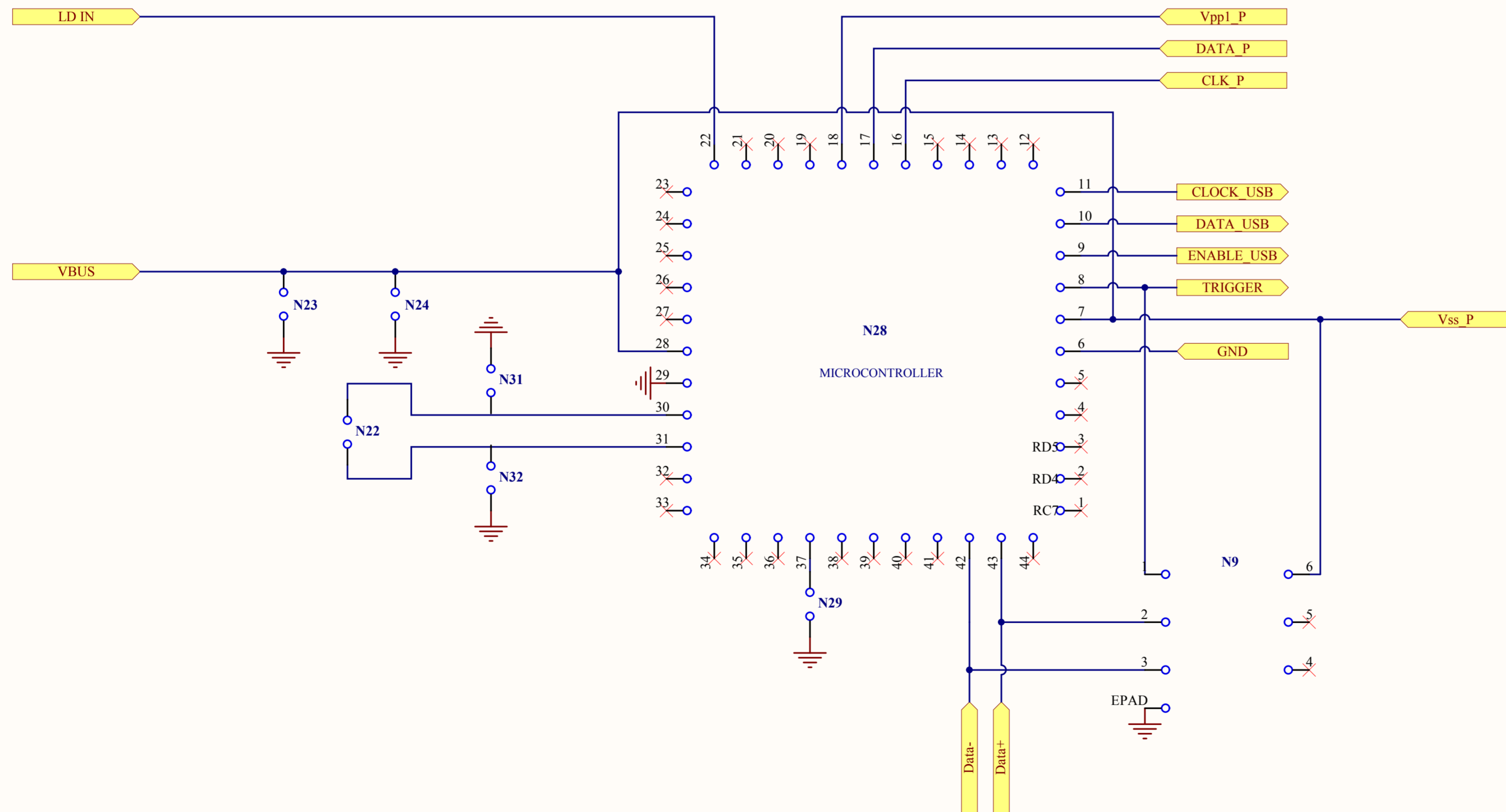
SCHMITT TRIGGER FILTERING



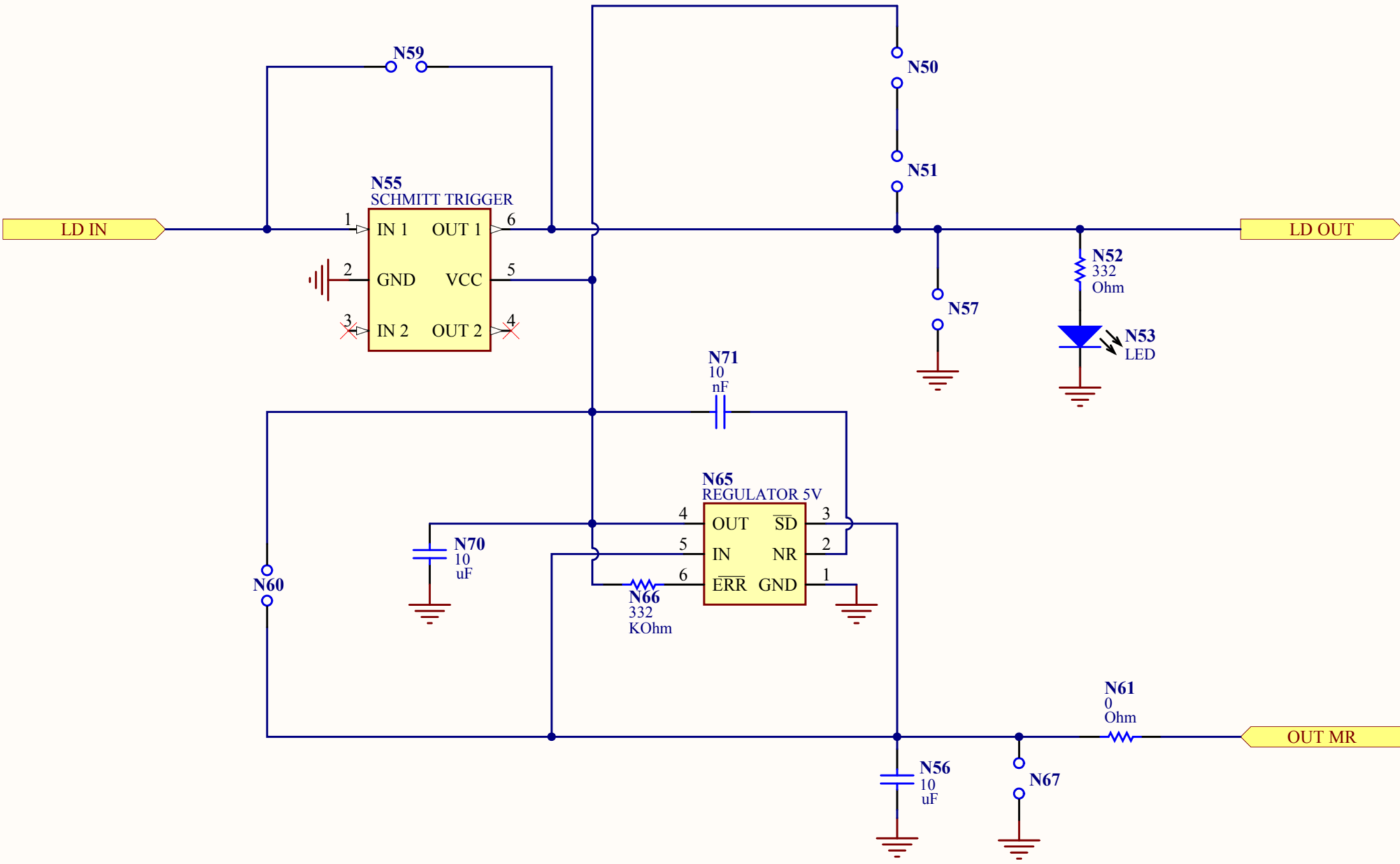
SCHMITT TRIGGER



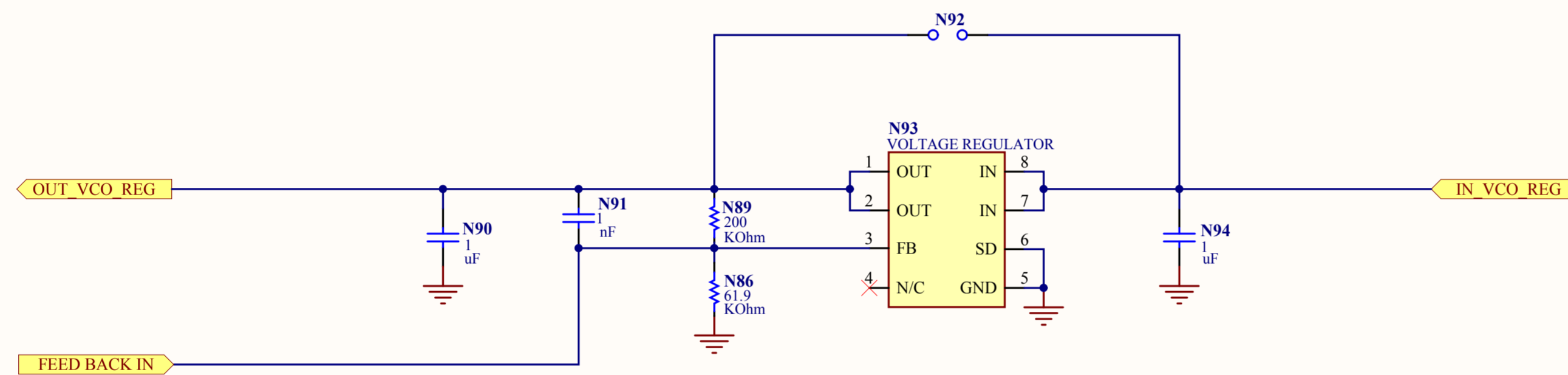
USB CONTROLER



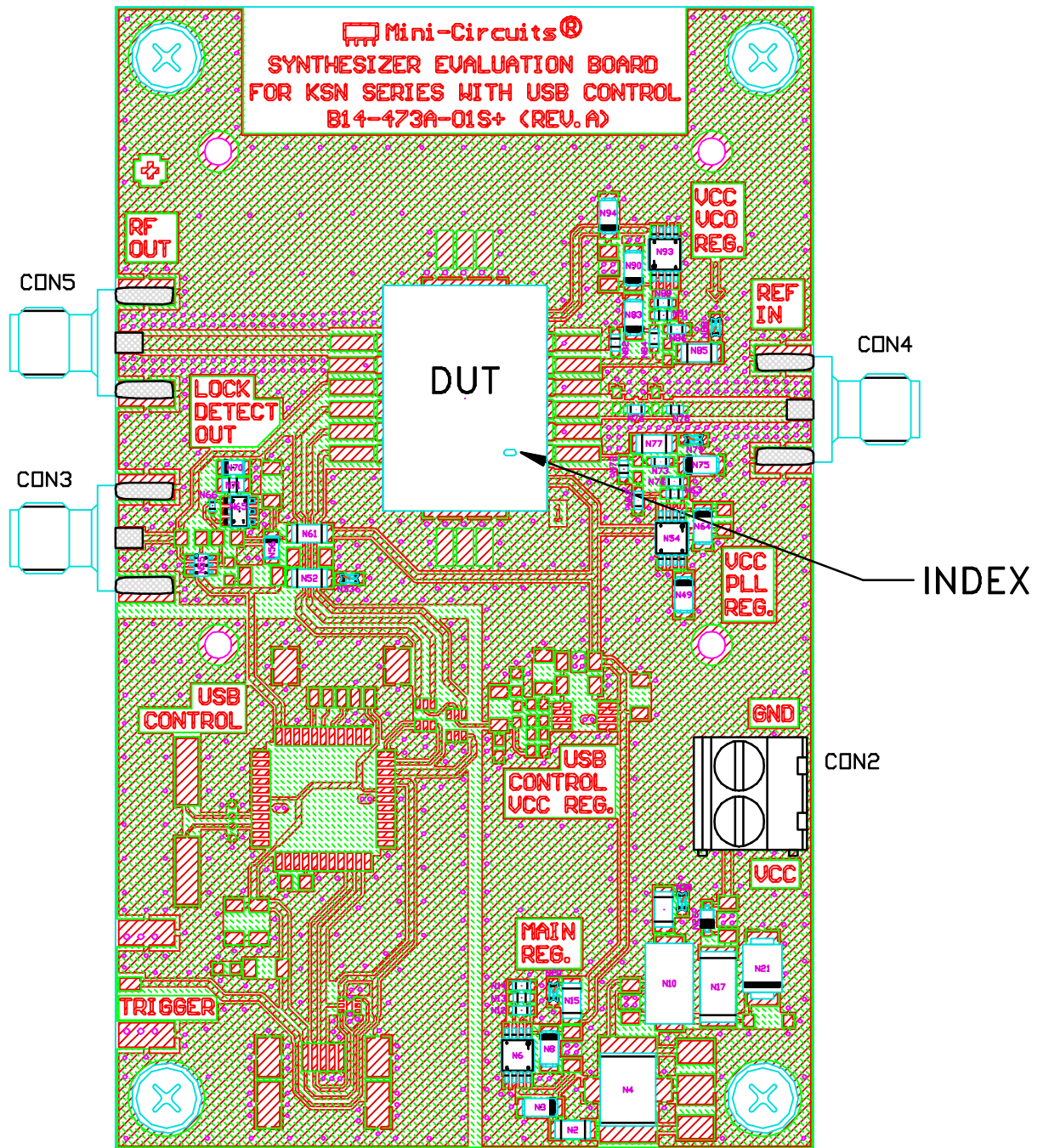
LD REGULATOR SCHMITT TRIGGER AND LED



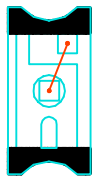
VCC VCO REGULATOR



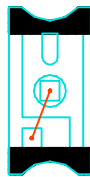
Evaluation Board and Circuit



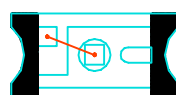
N20,N30



N88



N53,N79



NOTES:

1. SMA F JACK CONNECTORS.
2. PCB MATERIAL: FR4 OR EQUIVALENT, DIALECTRIC CONSTANT=4.7, DIALECTRIC THICKNESS=.059 INCH.