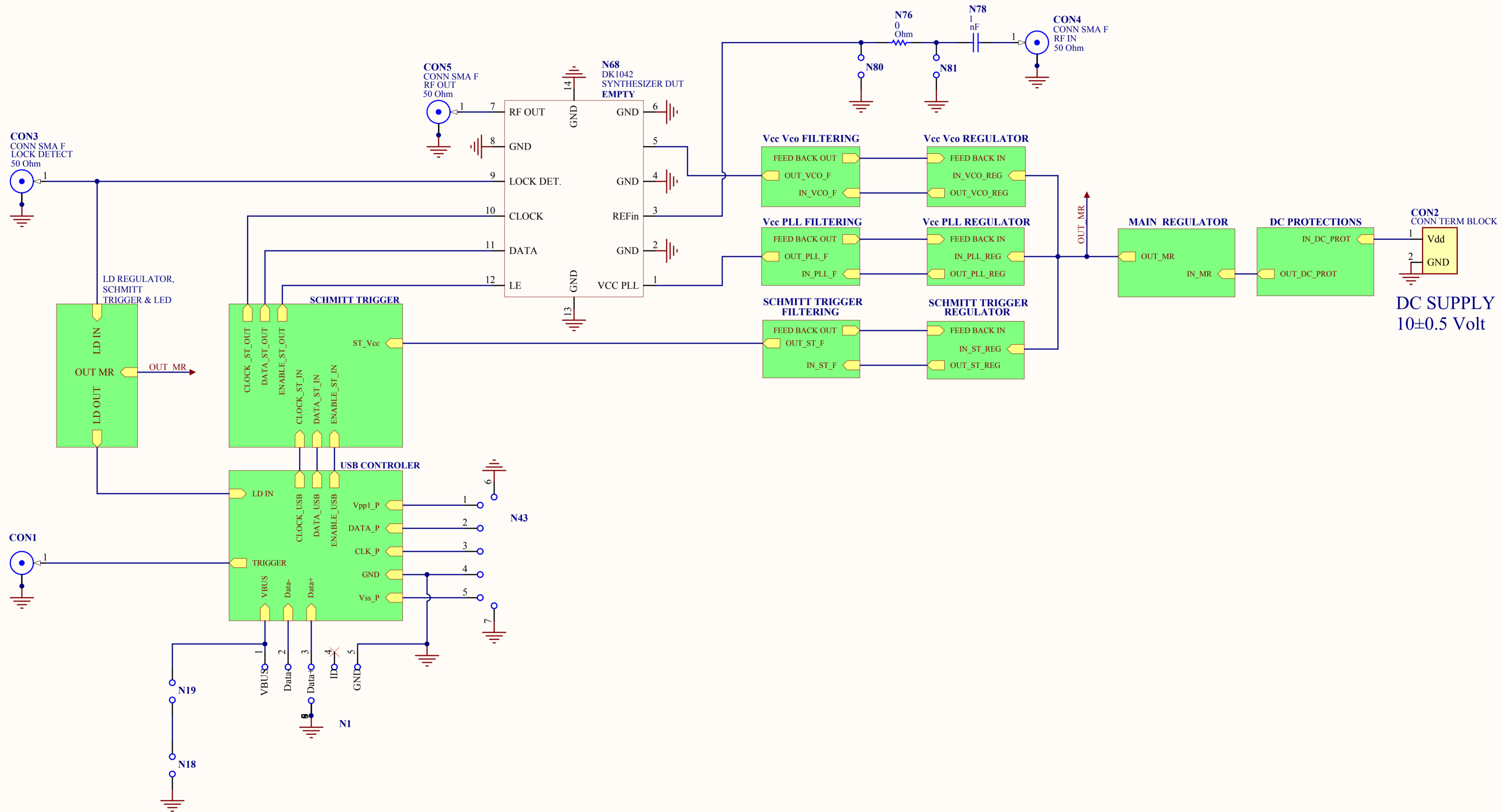
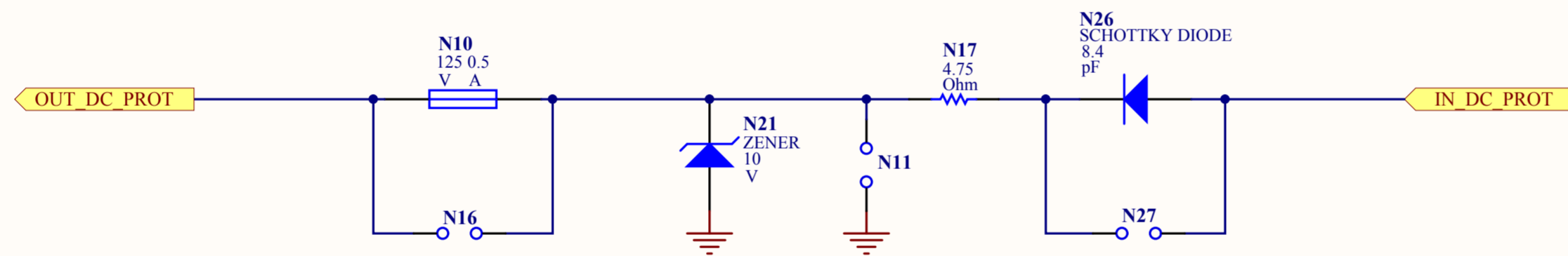


ELECTRICAL SCHEME-GENERAL

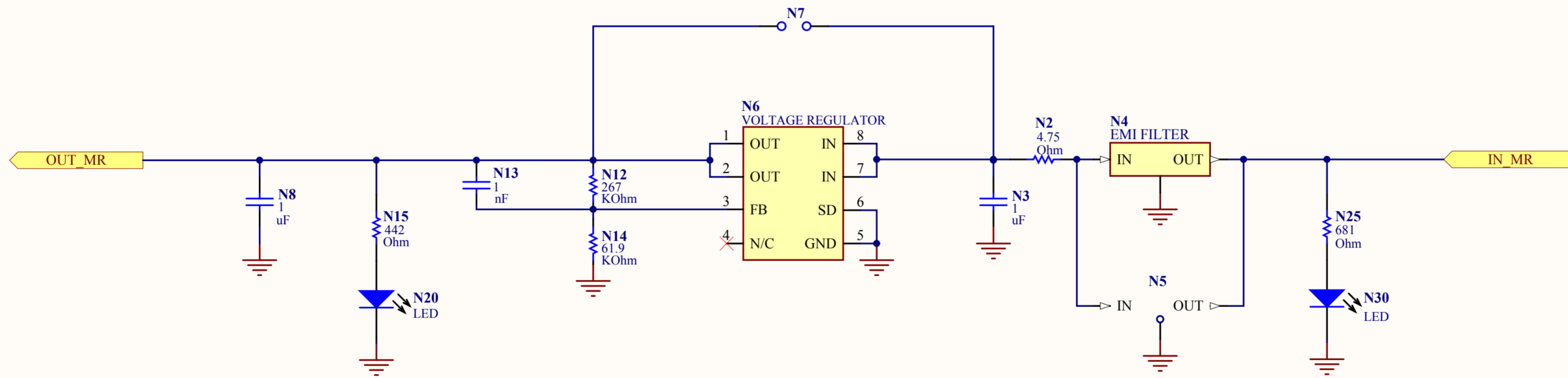
(TB for KSN)



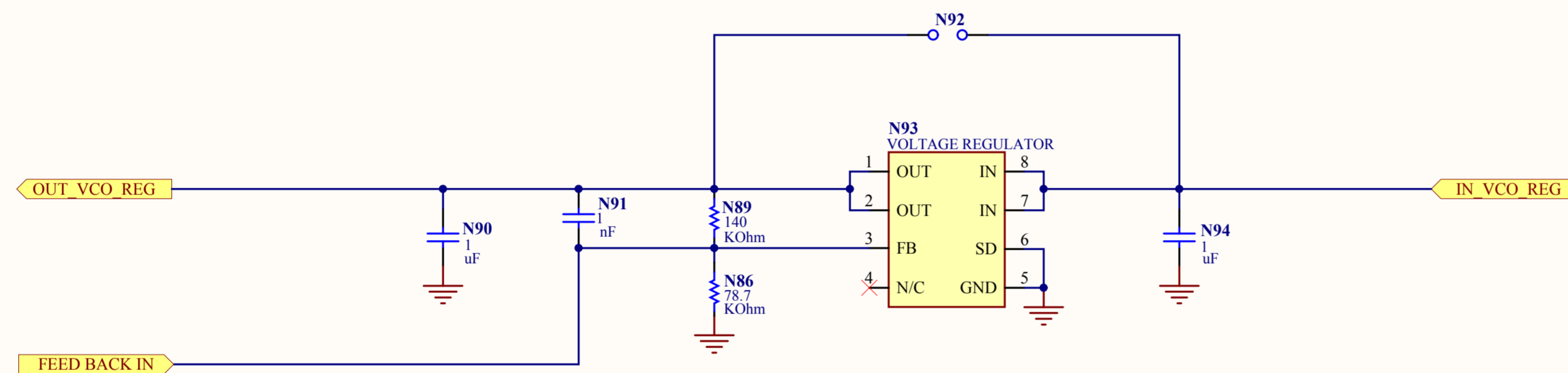
DC PROTECTIONS



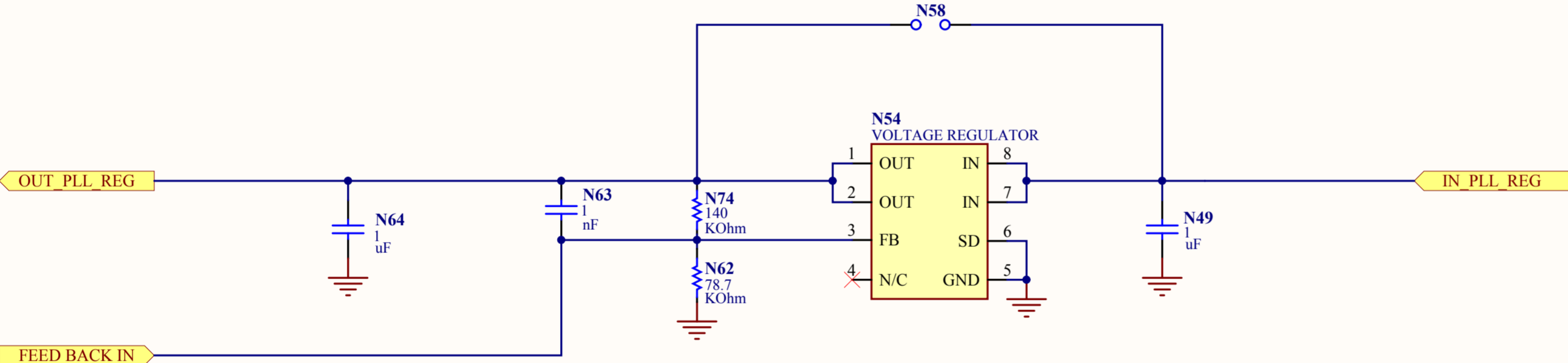
MAIN REGULATOR



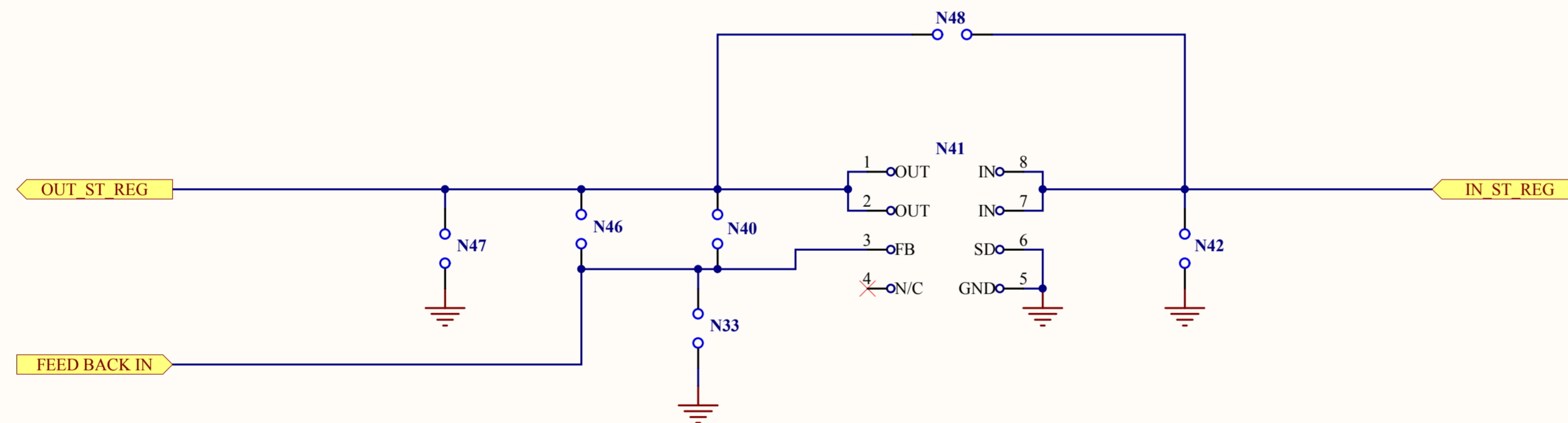
VCC VCO REGULATOR



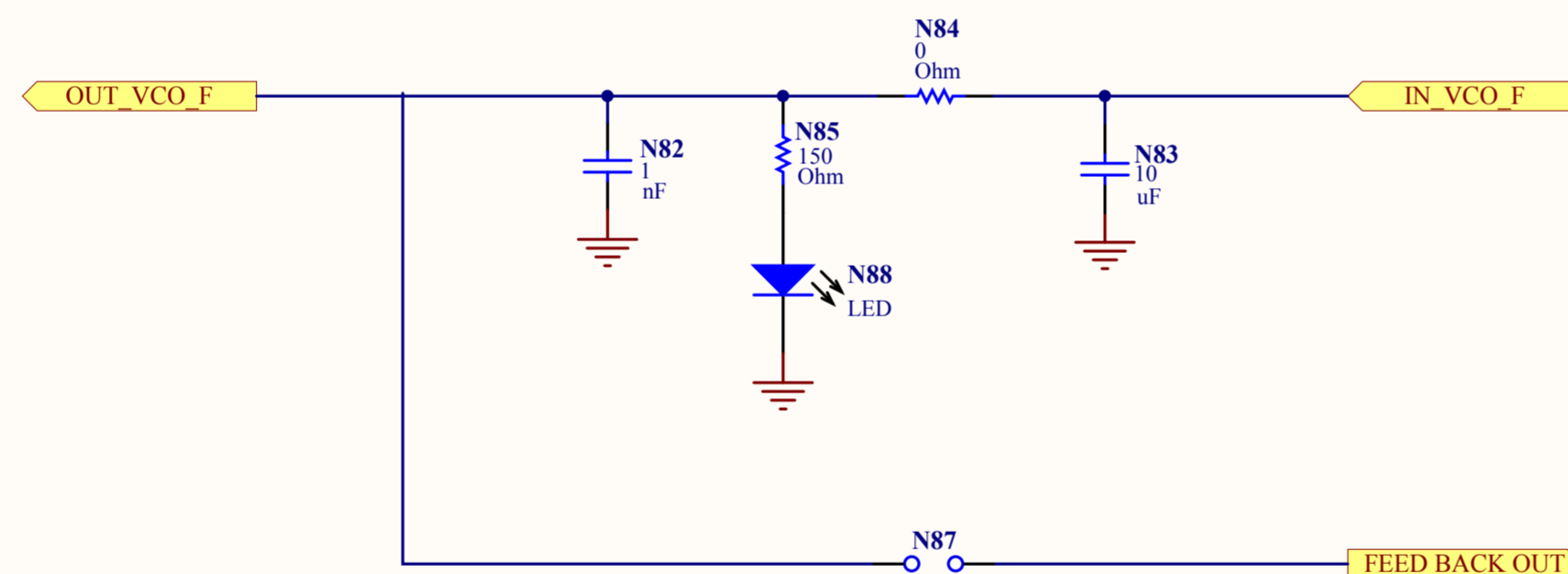
VCC PLL REGULATOR



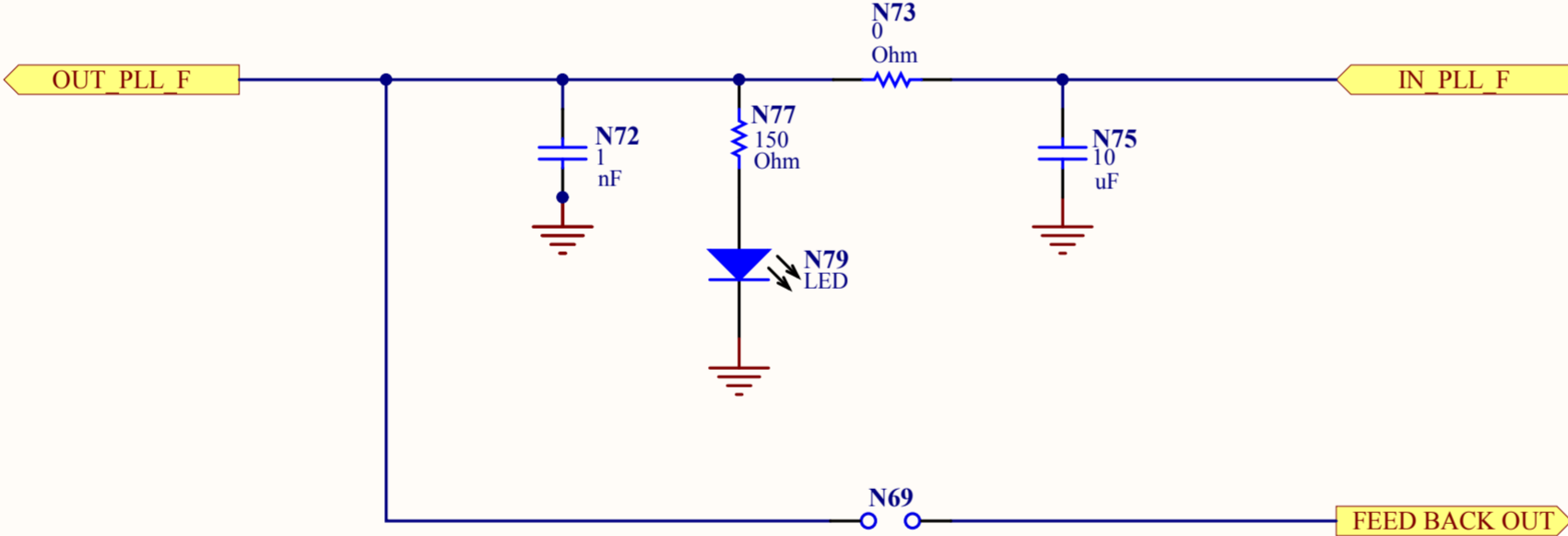
SCHMITT TRIGGER REGULATOR



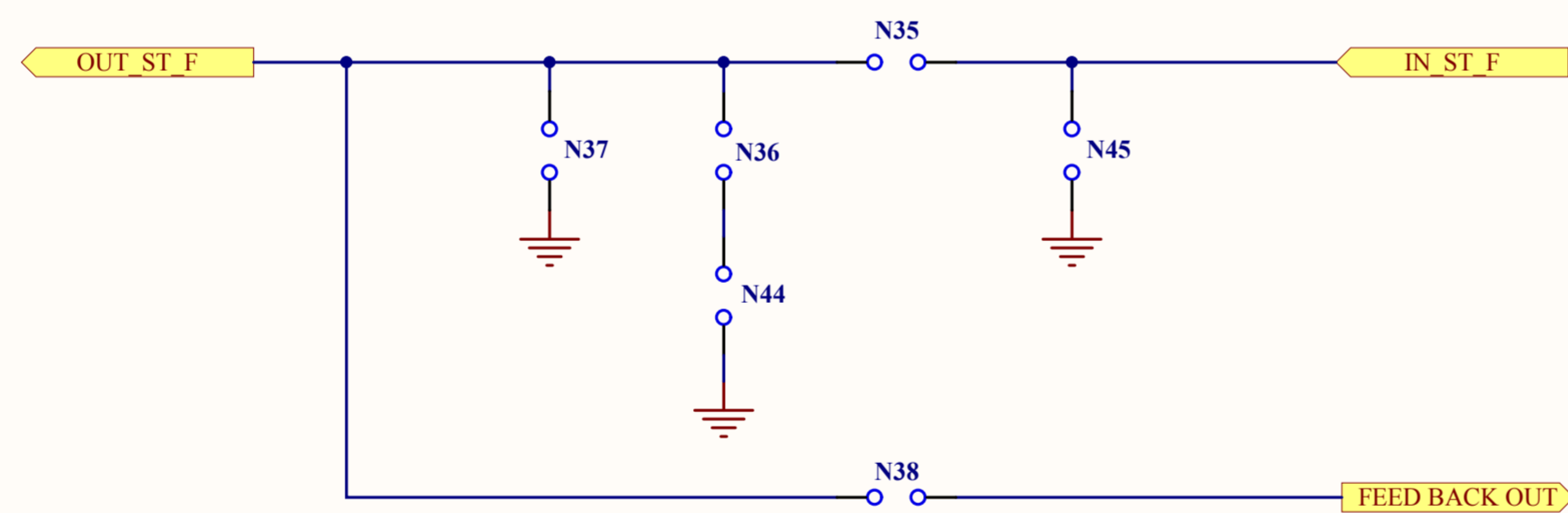
VCC VCO FILTERING



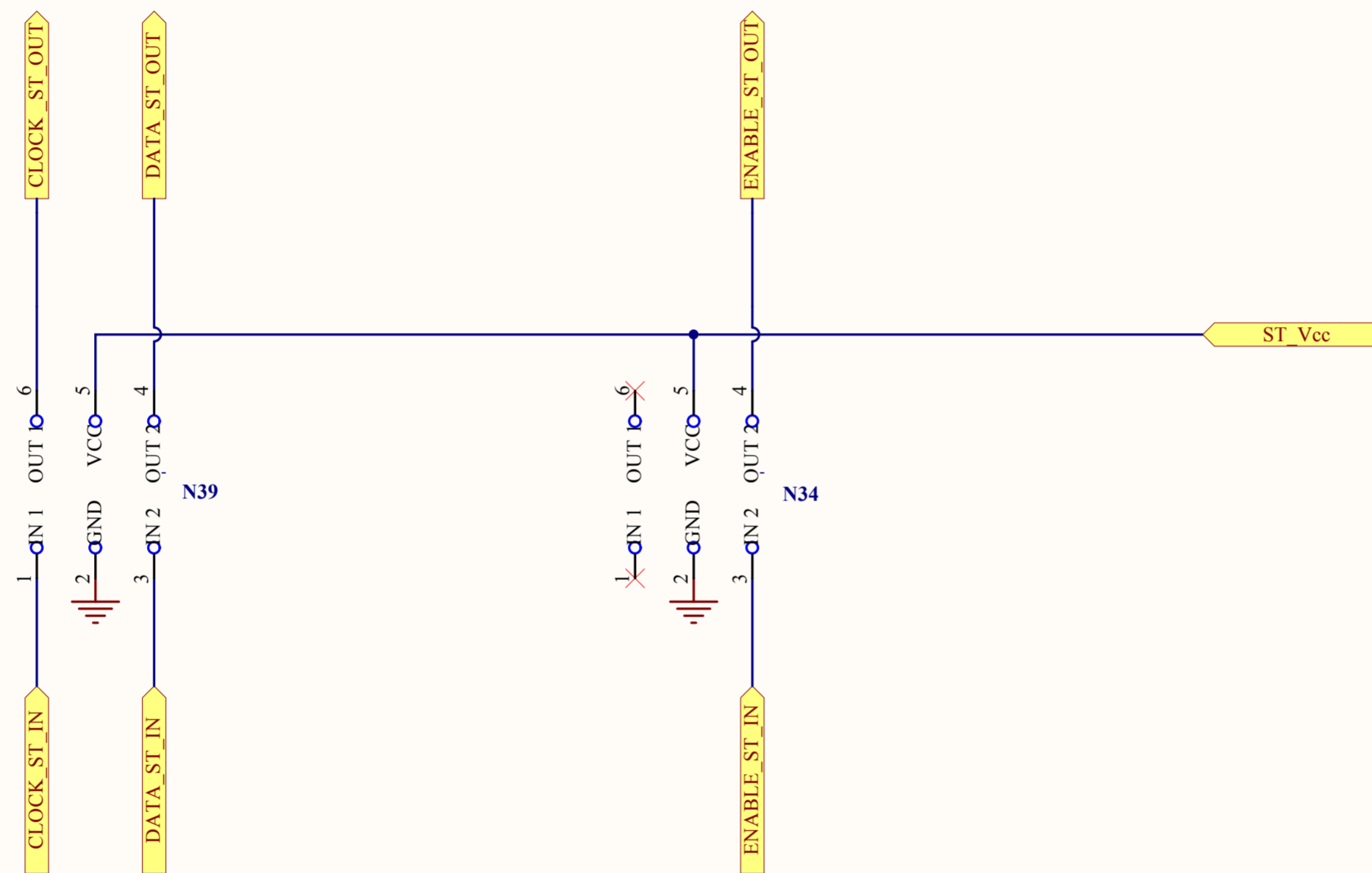
VCC PLL FILTERING



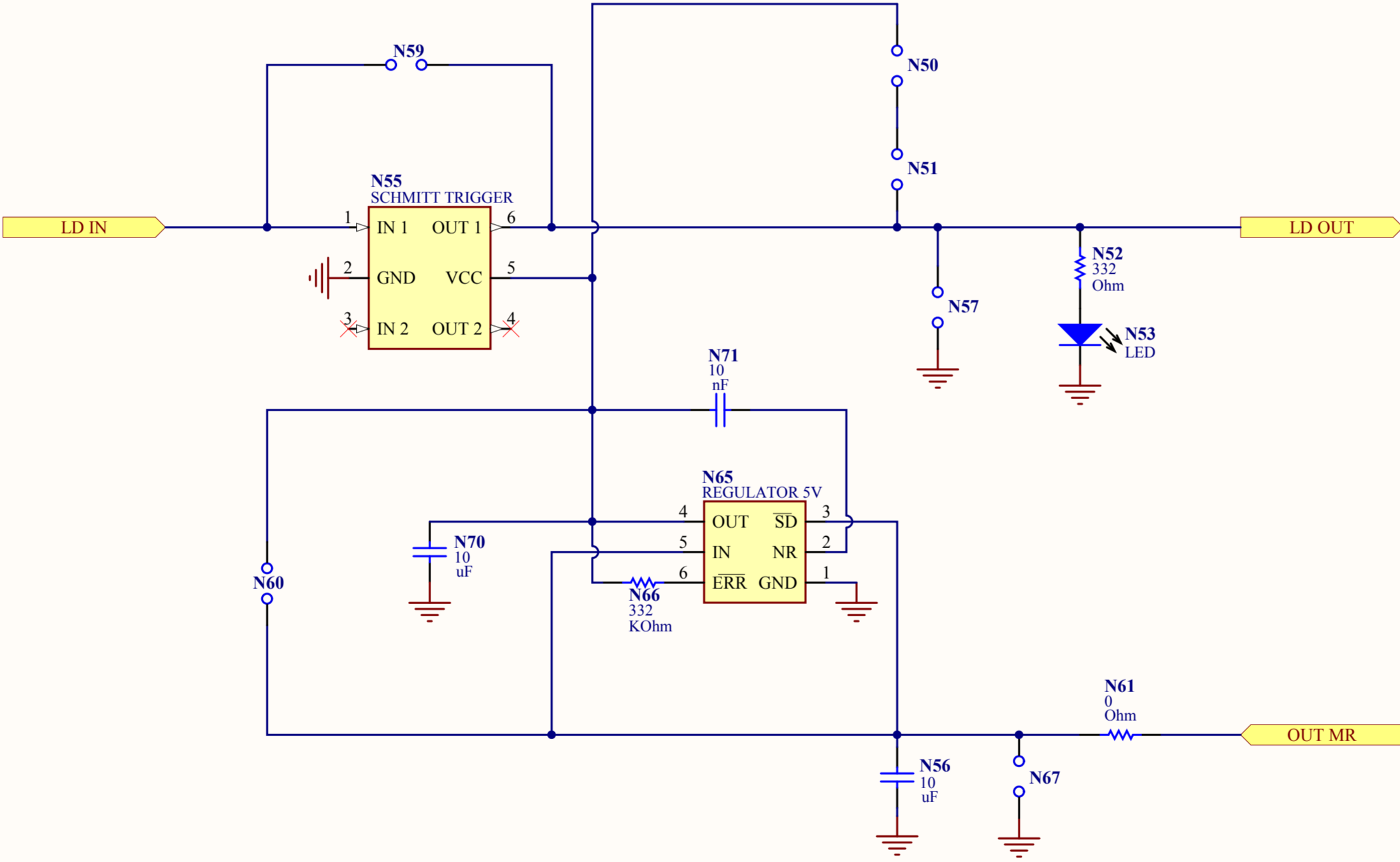
SCHMITT TRIGGER FILTERING



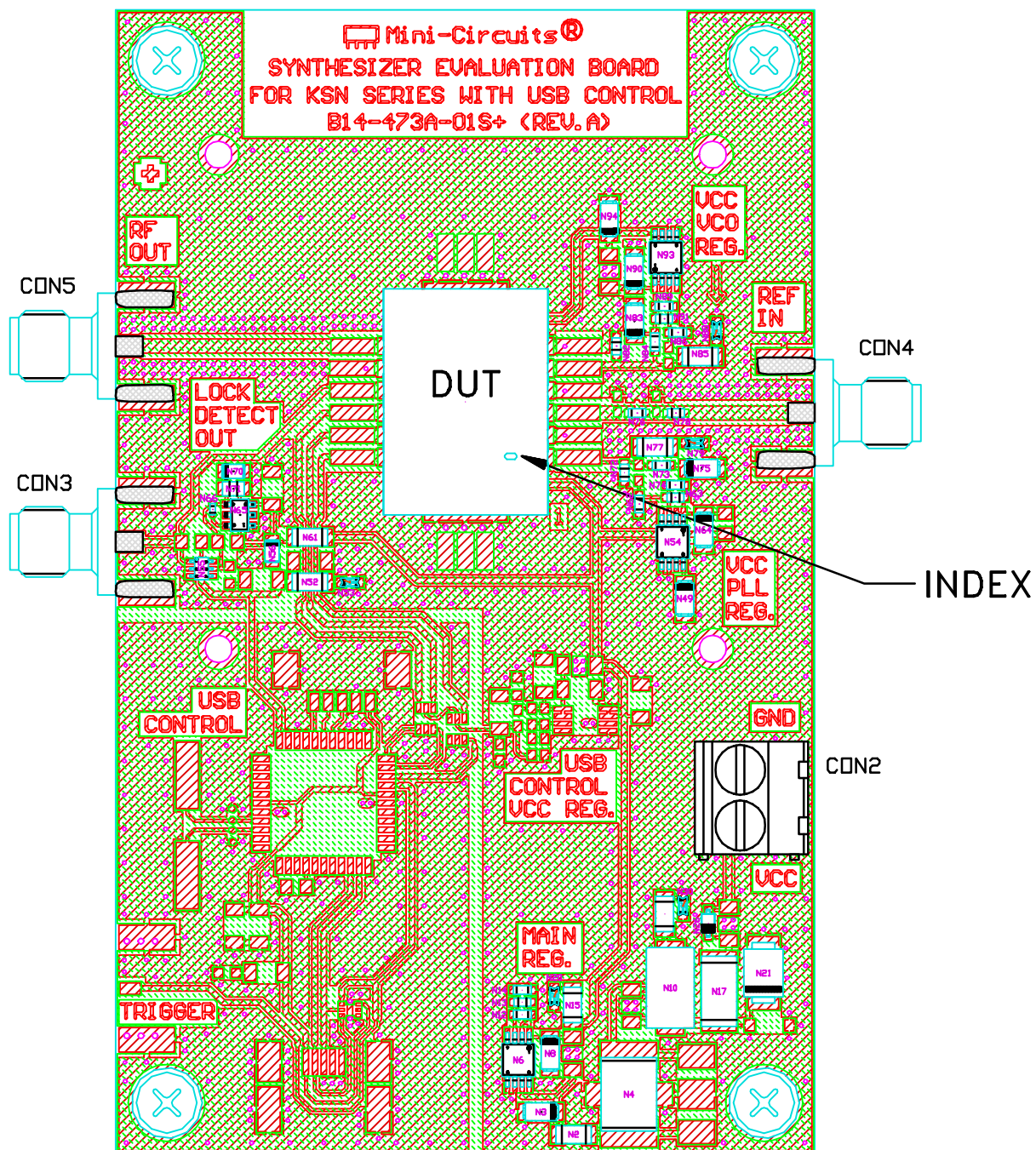
SCHMITT TRIGGER



LD REGULATOR SCHMITT TRIGGER AND LED

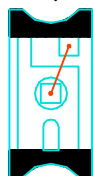


Evaluation Board and Circuit

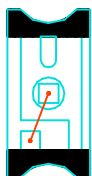


TB-567-3+F

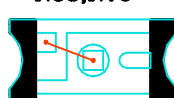
N20,N30



N88



N53,N79



NOTES:

1. SMA F JACK CONNECTORS.
2. PCB MATERIAL: FR4 OR EQUIVALENT, DIALECTRIC CONSTANT=4.7, DIALECTRIC THICKNESS=.059 INCH.