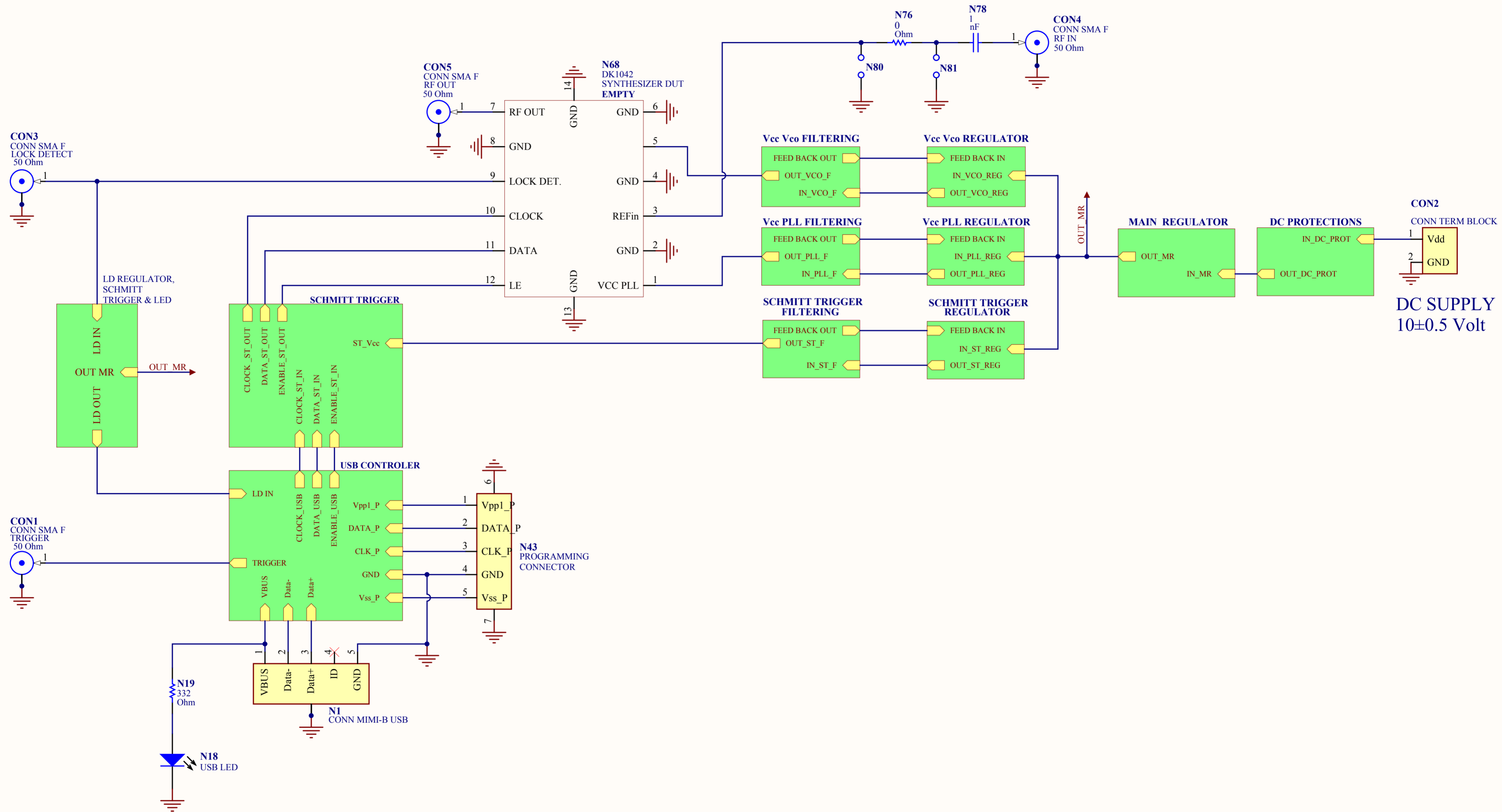
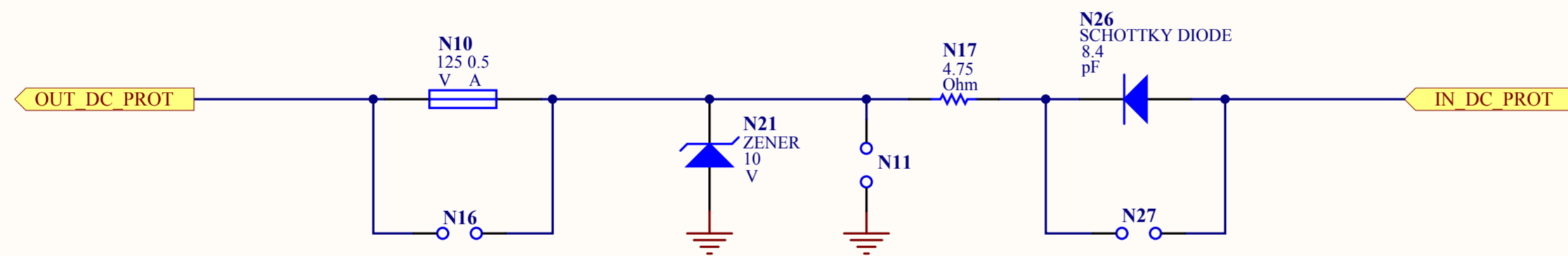


# ELECTRICAL SCHEME-GENERAL

(TB for KSN)

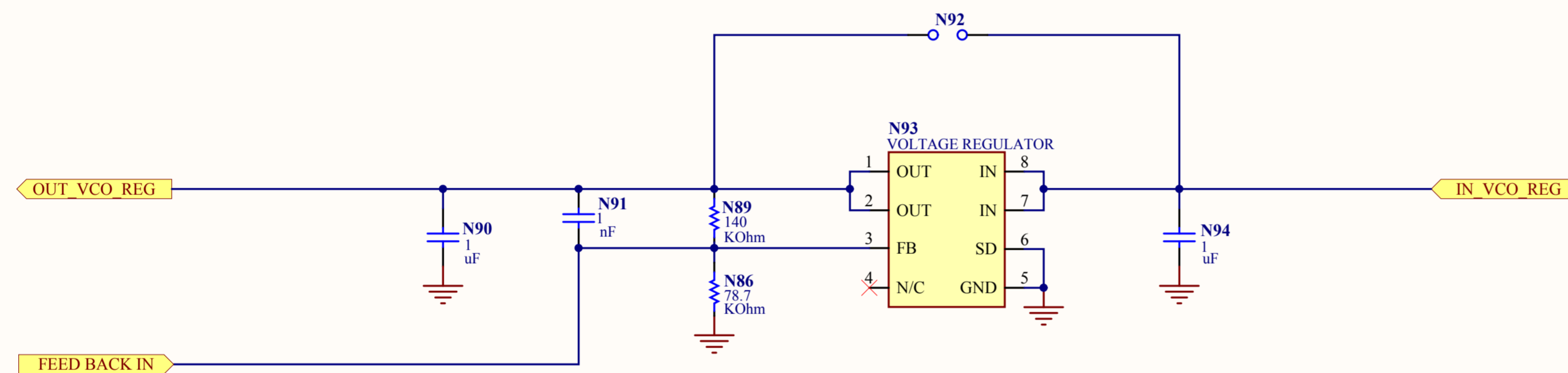


## DC PROTECTIONS

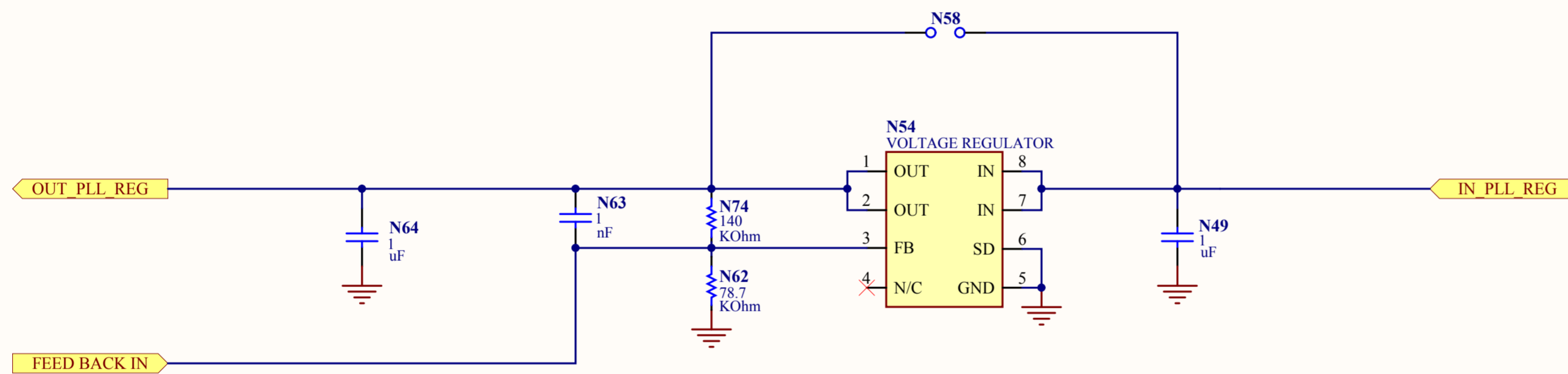




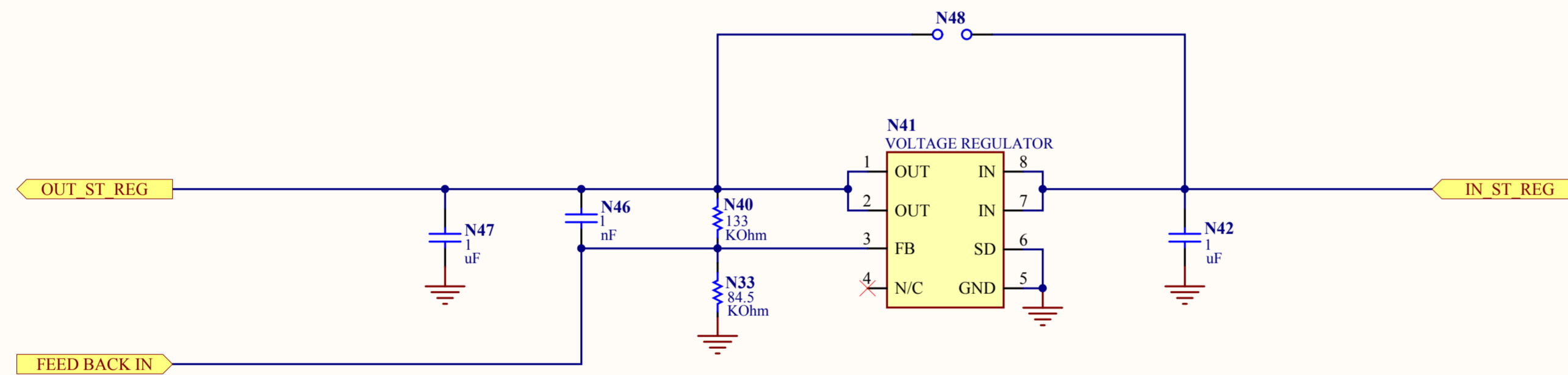
## VCC VCO REGULATOR



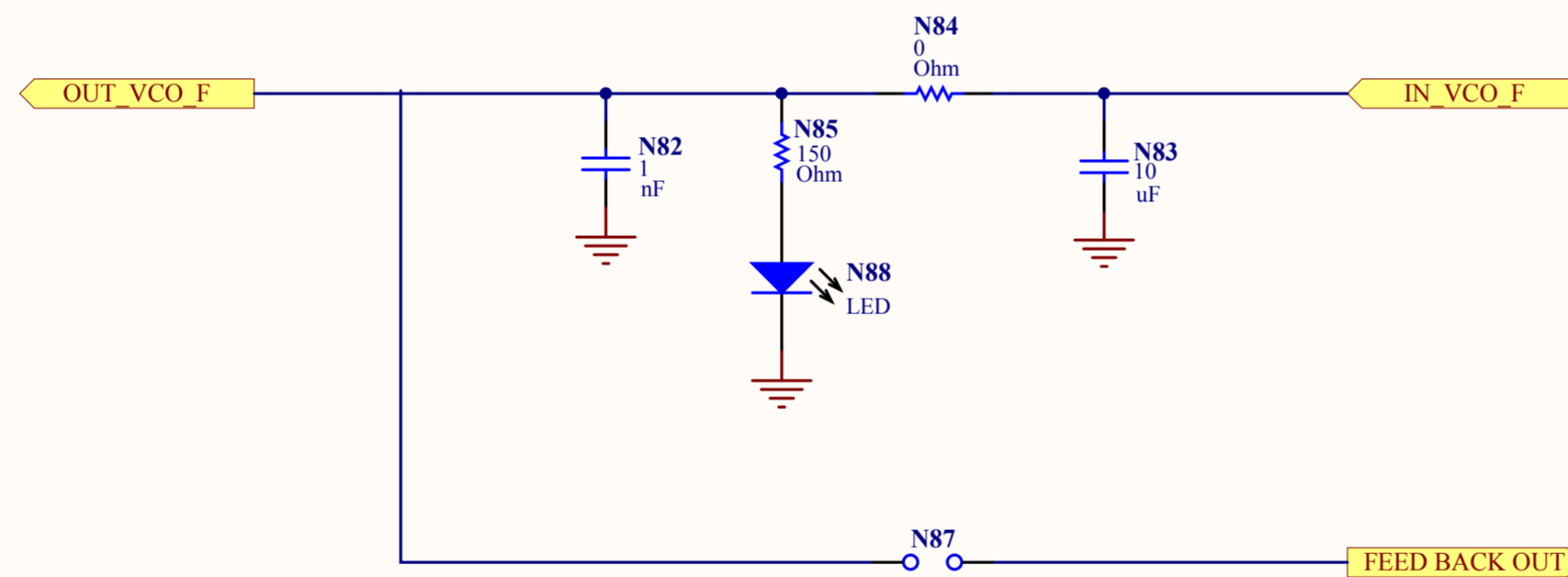
## VCC PLL REGULATOR



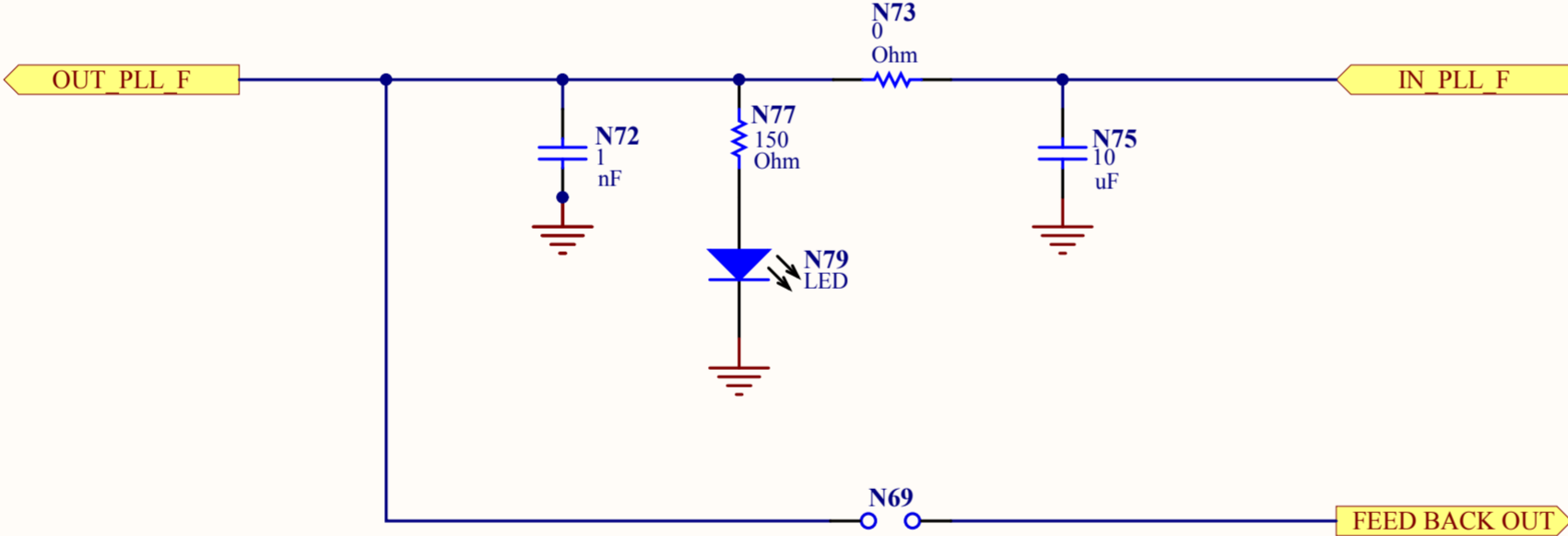
## SCHMITT TRIGGER REGULATOR



## VCC VCO FILTERING

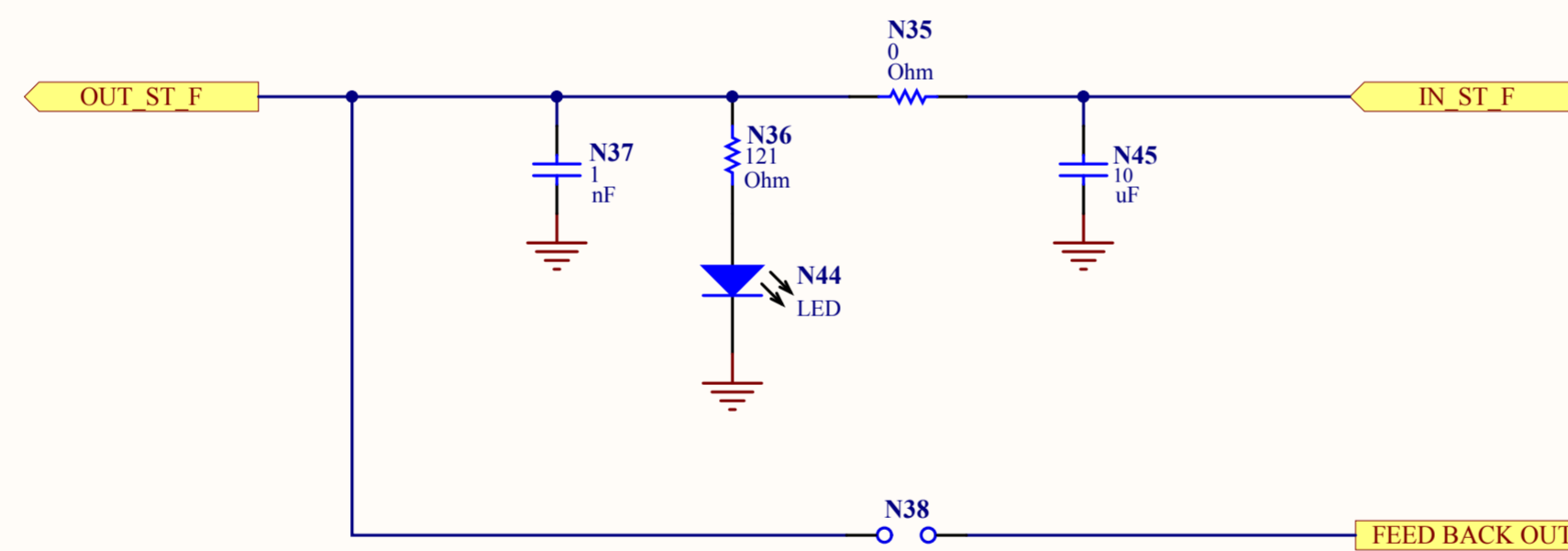


**VCC PLL FILTERING**

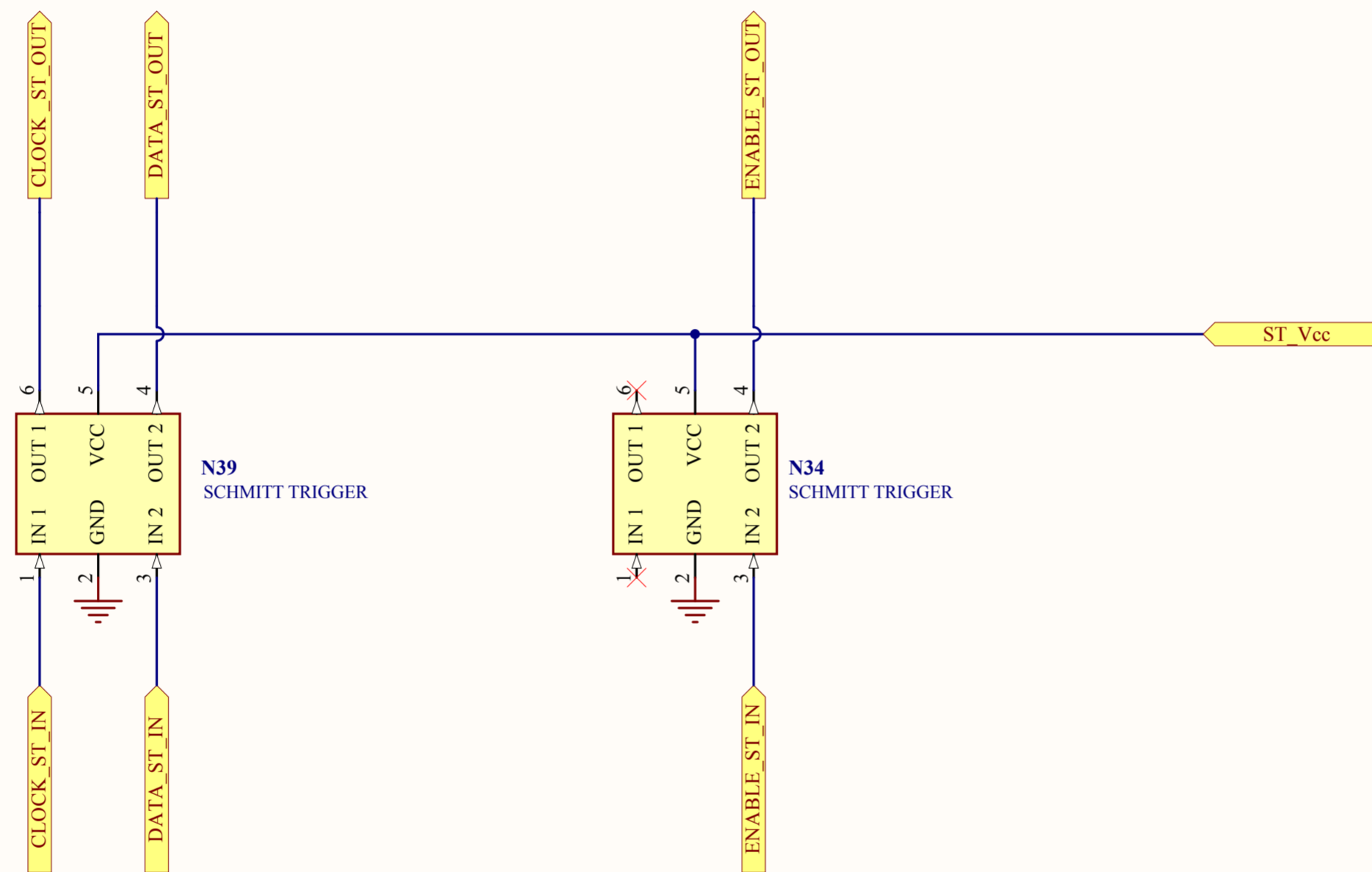




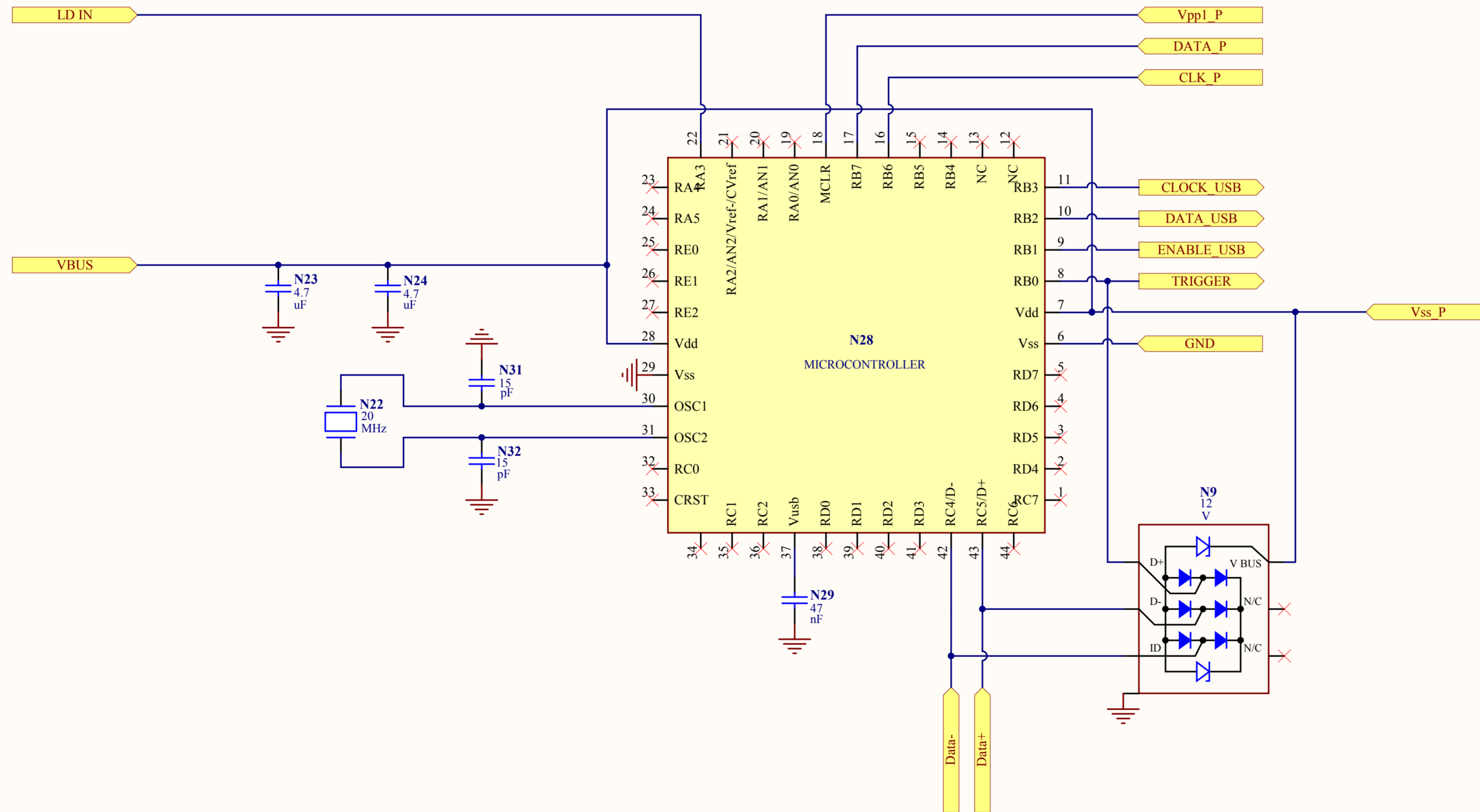
## SCHMITT TRIGGER FILTERING



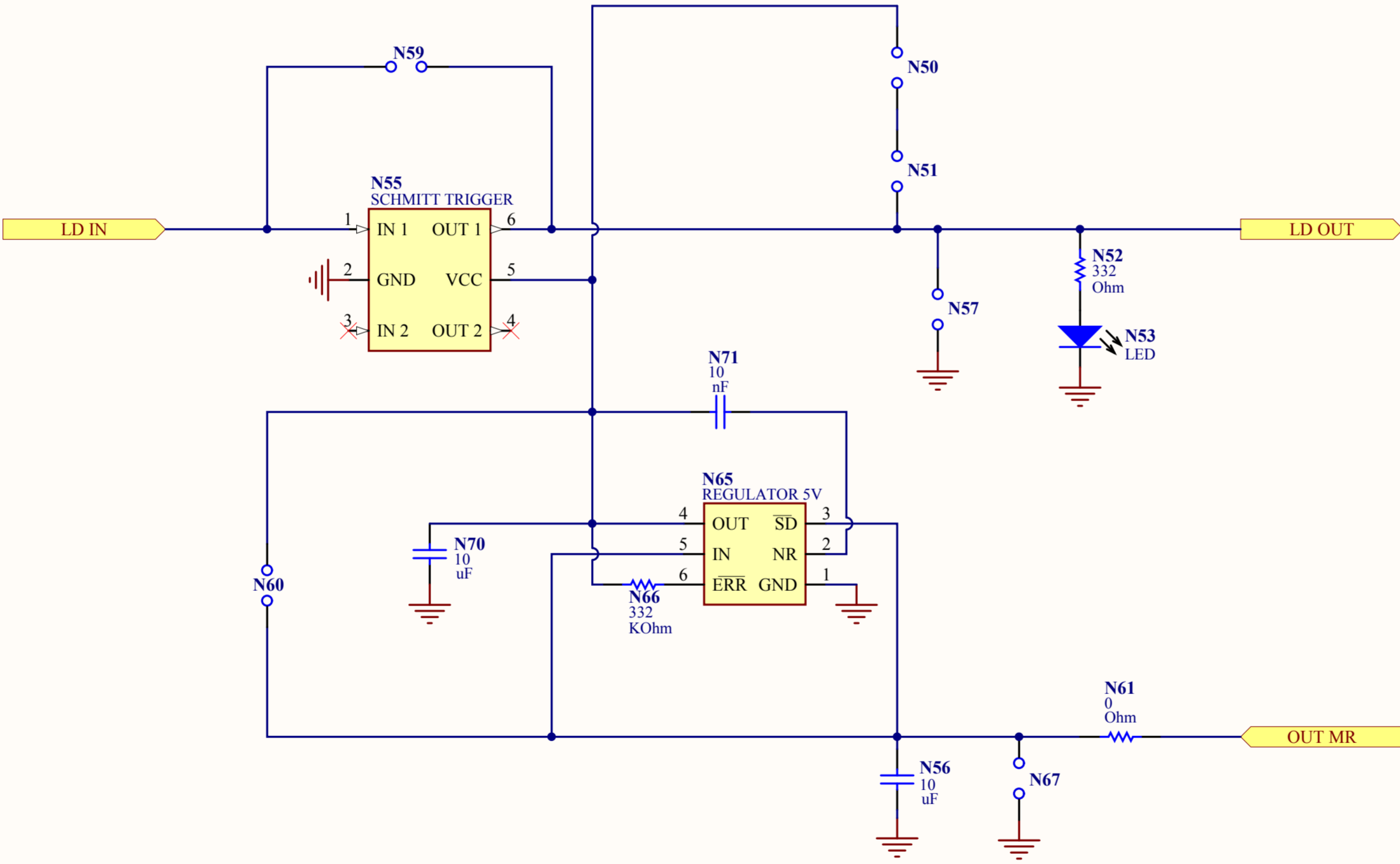
## SCHMITT TRIGGER



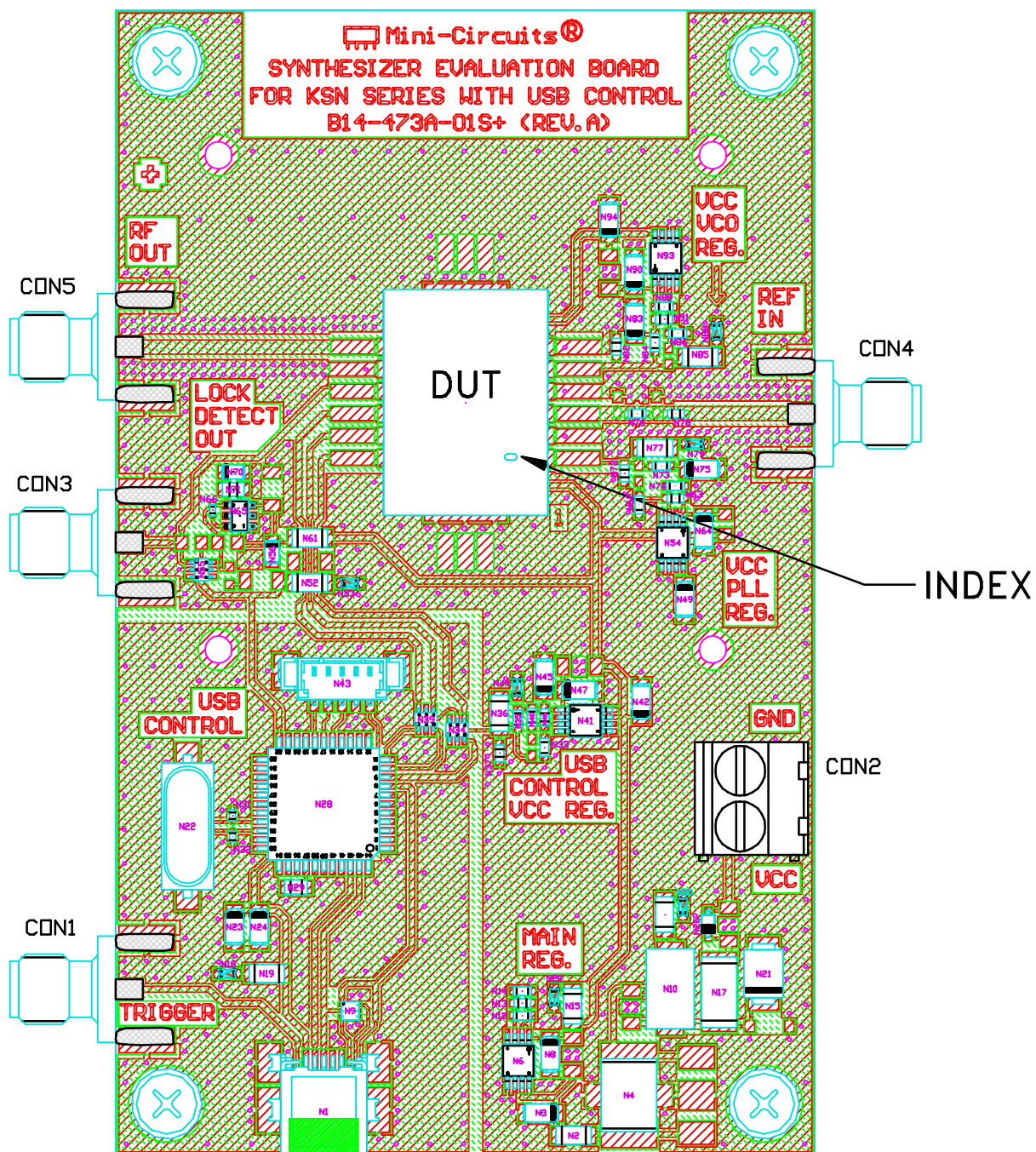
## USB CONTROLER



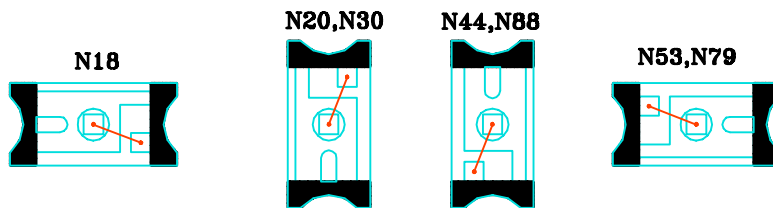
**LD REGULATOR SCHMITT TRIGGER AND LED**



# Evaluation Board and Circuit



TB-567-3+



**NOTES:**

1. SMA F JACK CONNECTORS.
2. PCB MATERIAL: FR4 OR EQUIVALENT, DIALECTRIC CONSTANT=4.7, DIALECTRIC THICKNESS=.059 INCH.