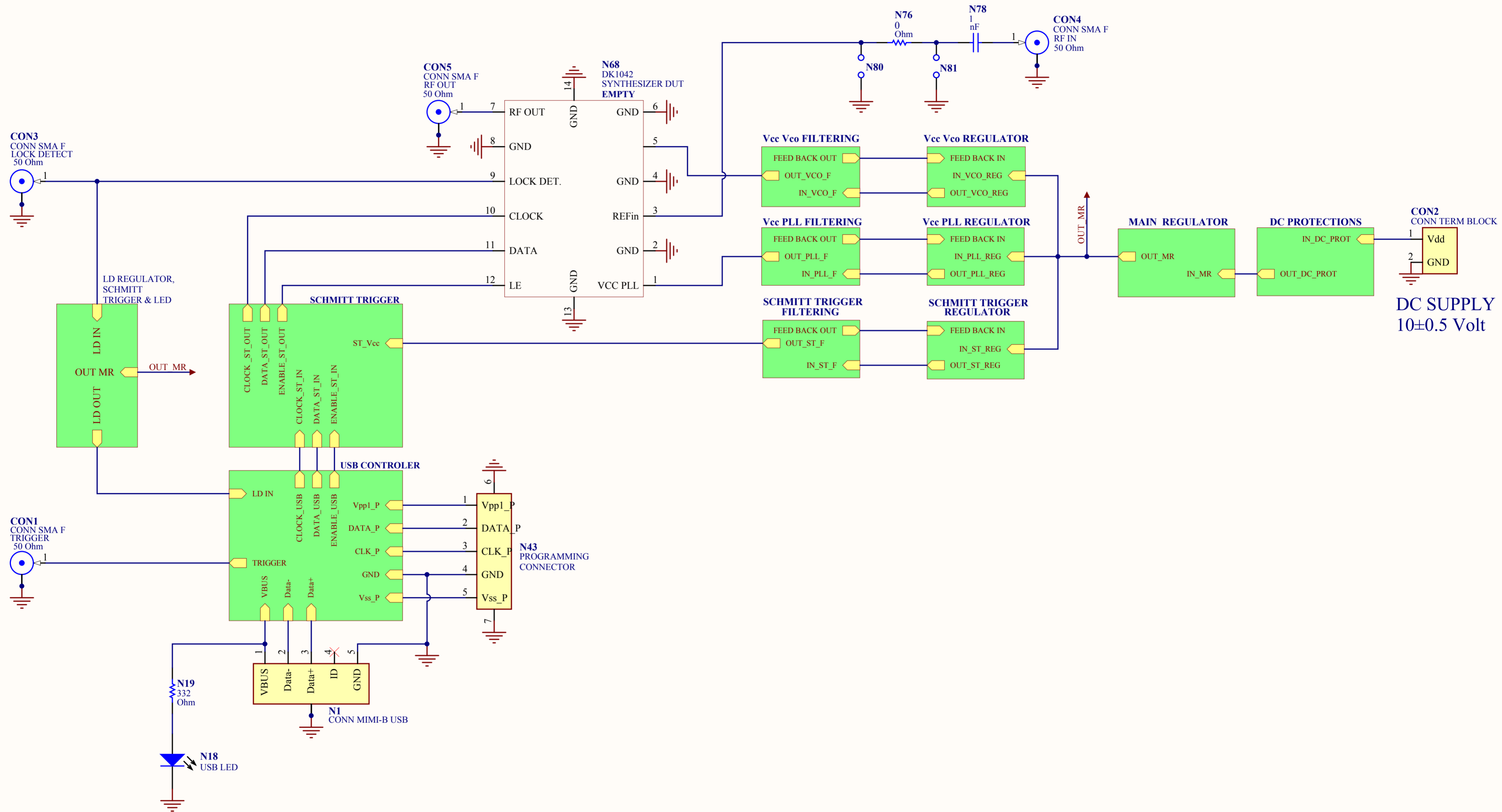
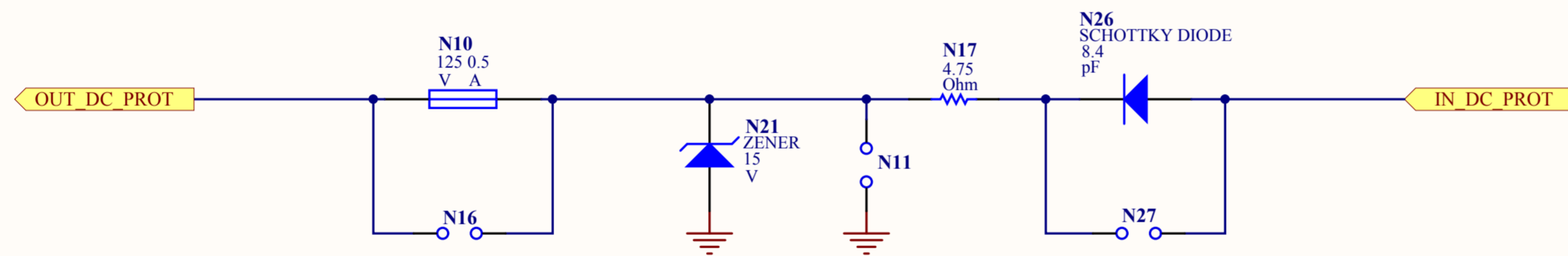


ELECTRICAL SCHEME-GENERAL

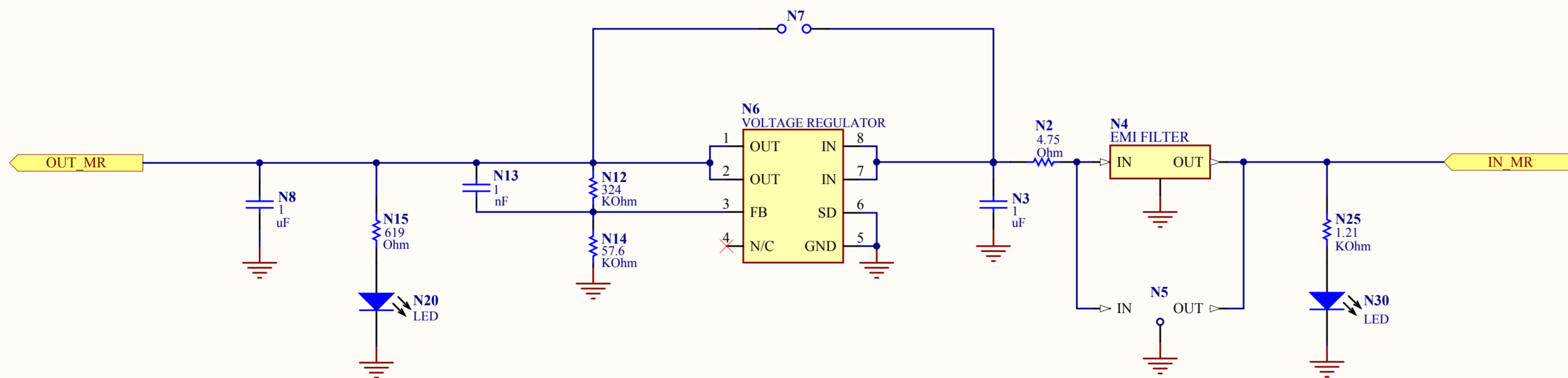
(TB for KSN)



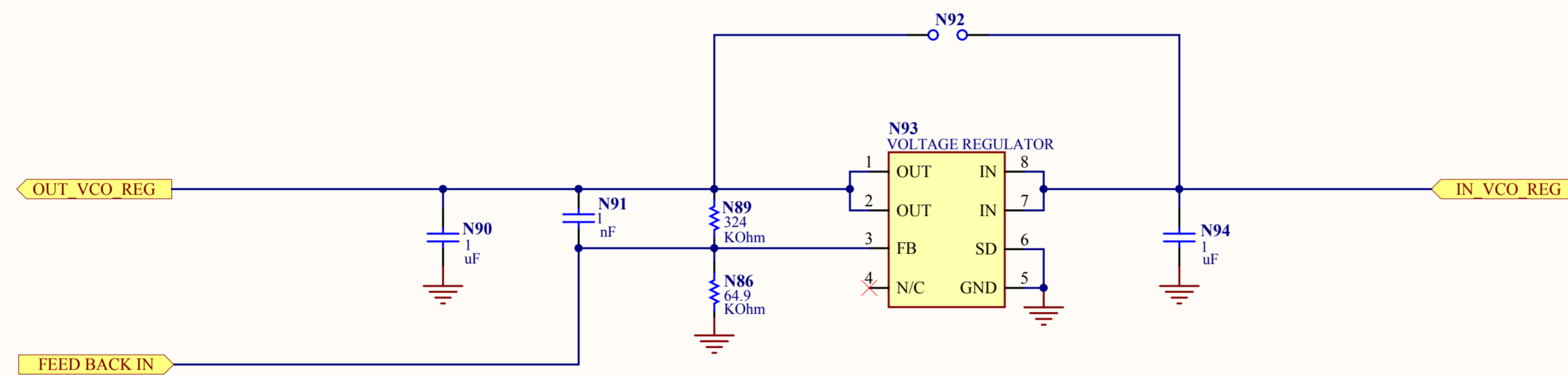
DC PROTECTIONS



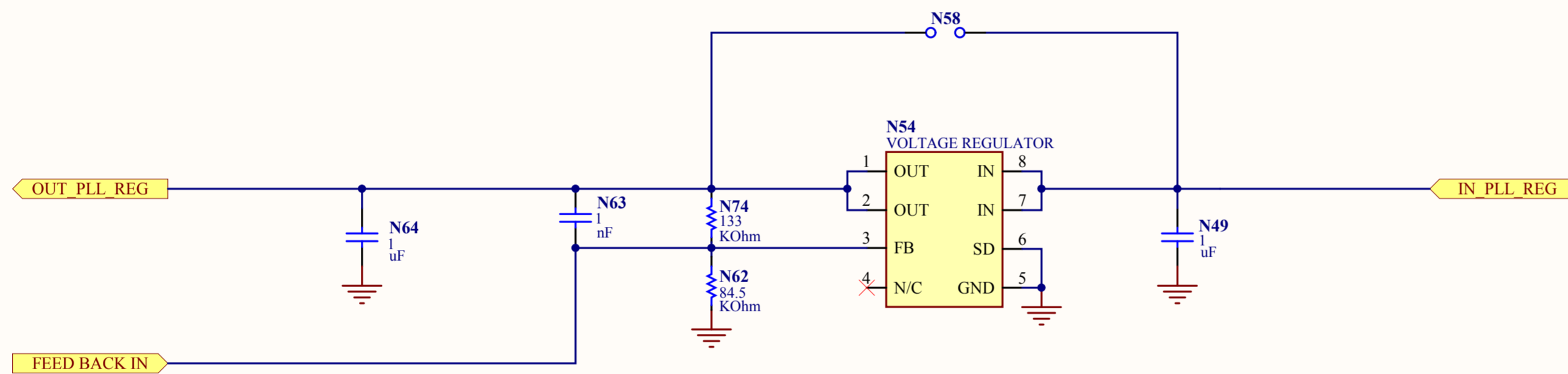
MAIN REGULATOR



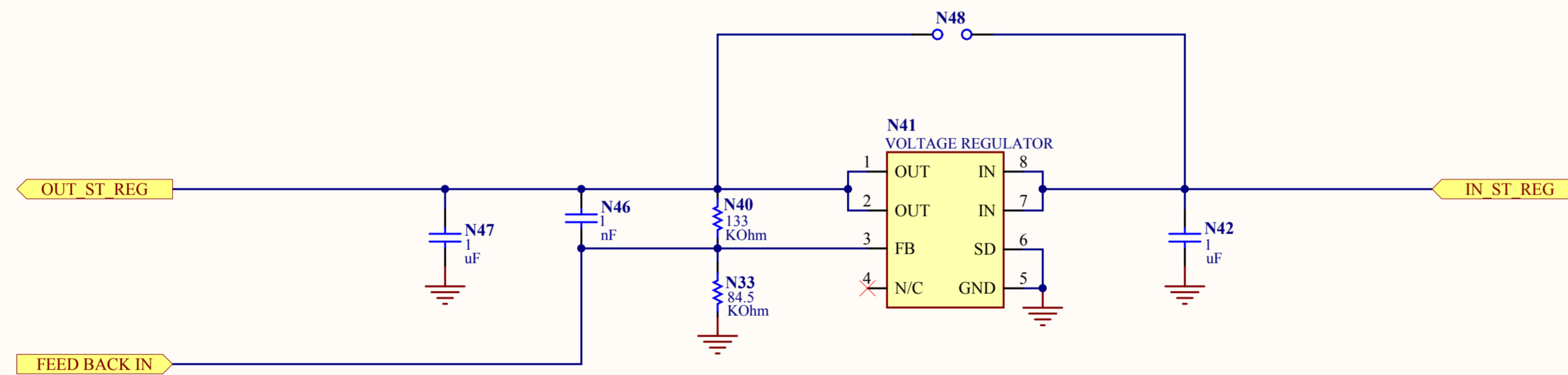
VCC VCO REGULATOR



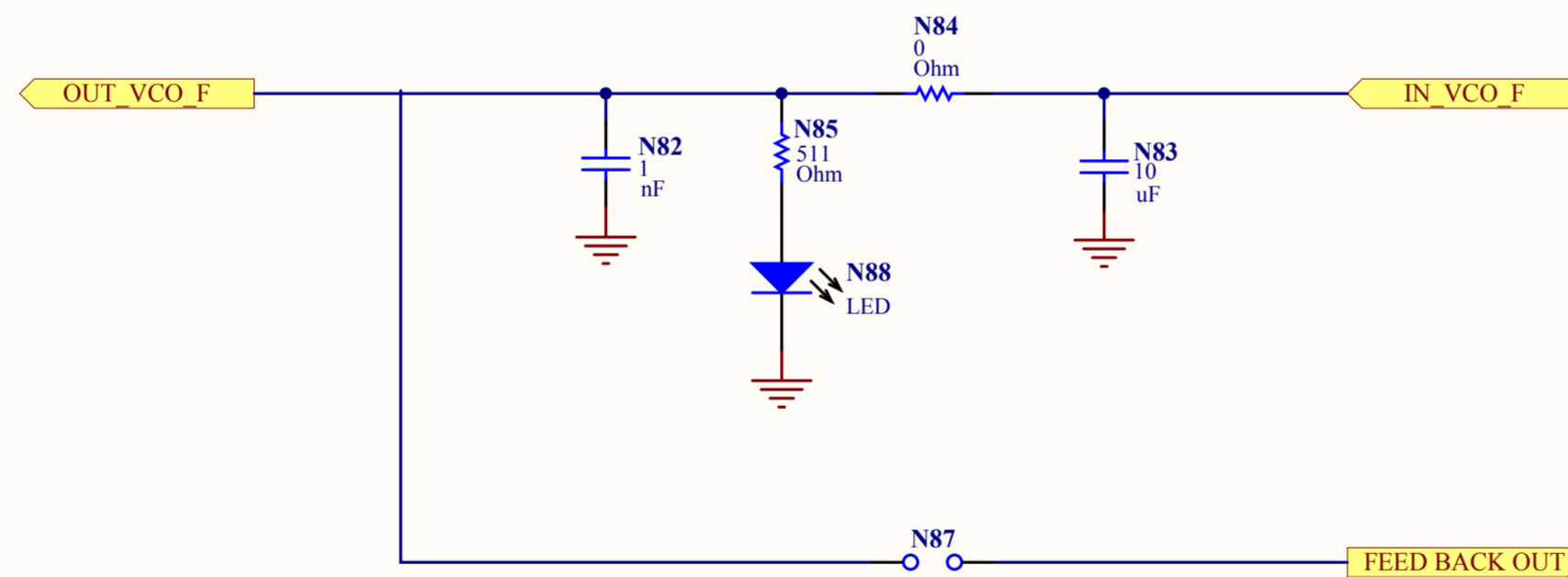
VCC PLL REGULATOR



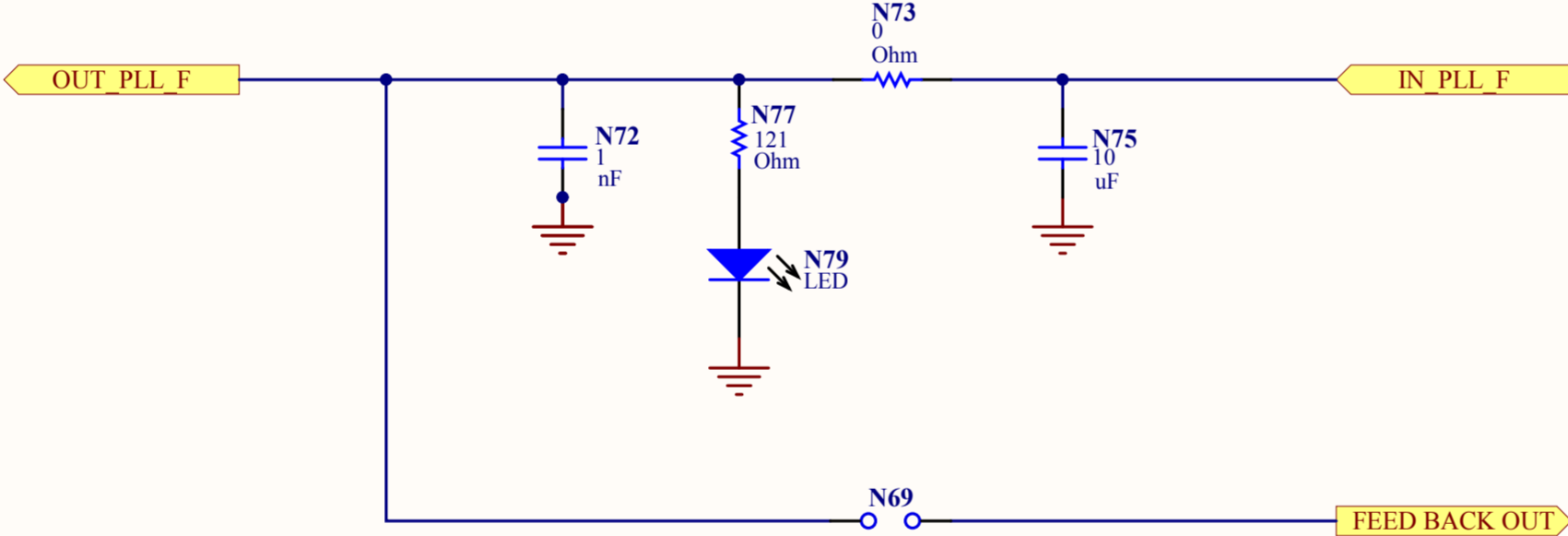
SCHMITT TRIGGER REGULATOR



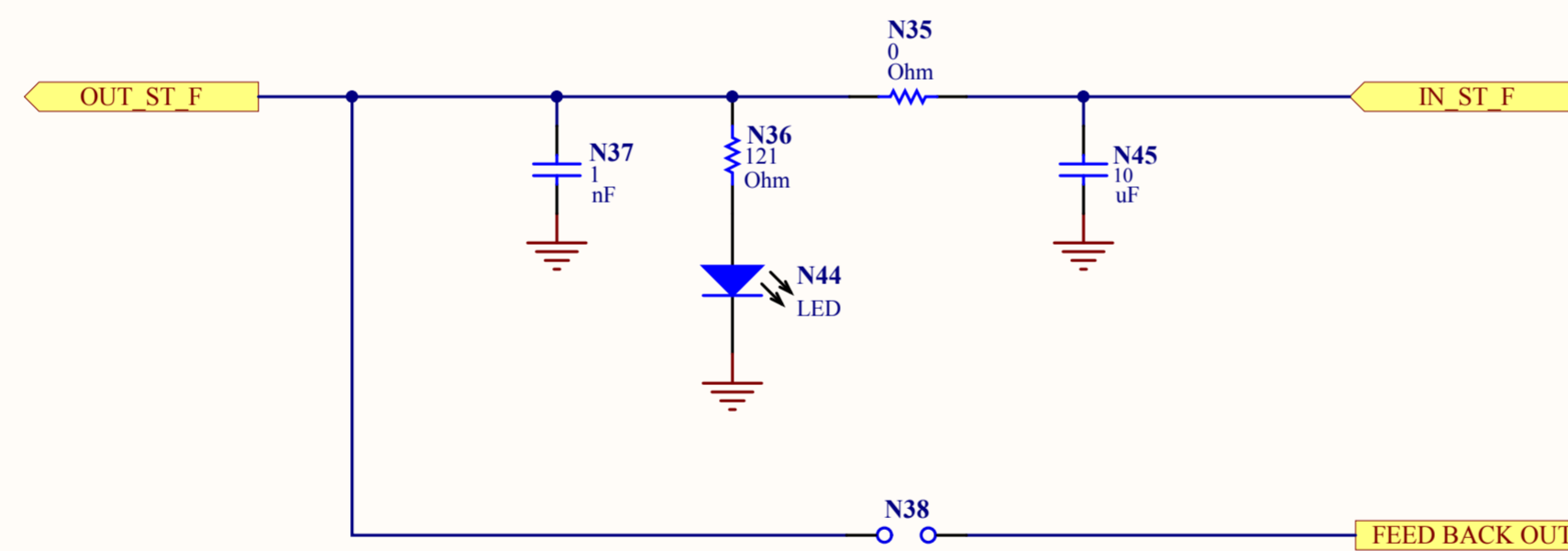
VCC VCO FILTERING



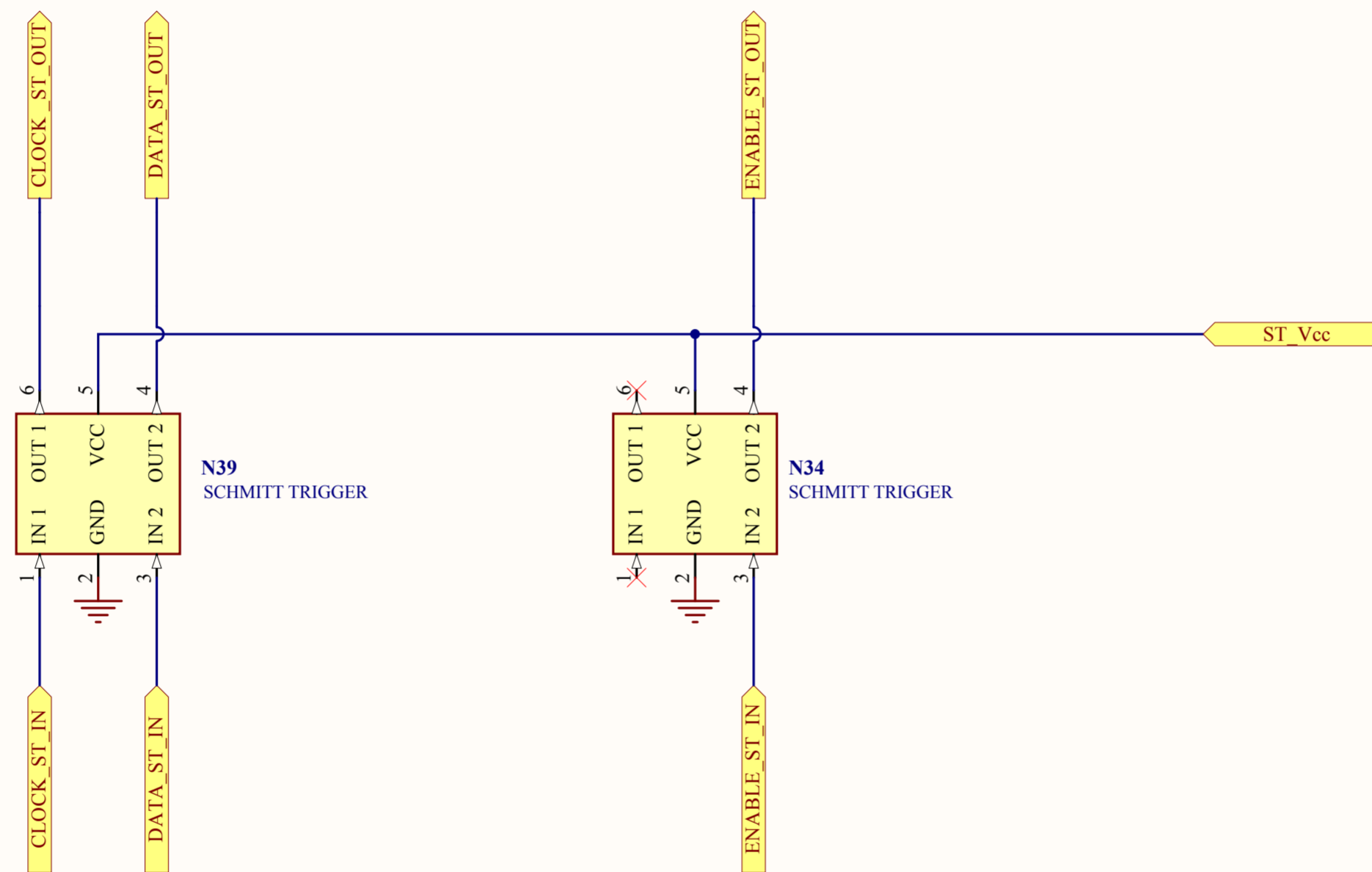
VCC PLL FILTERING



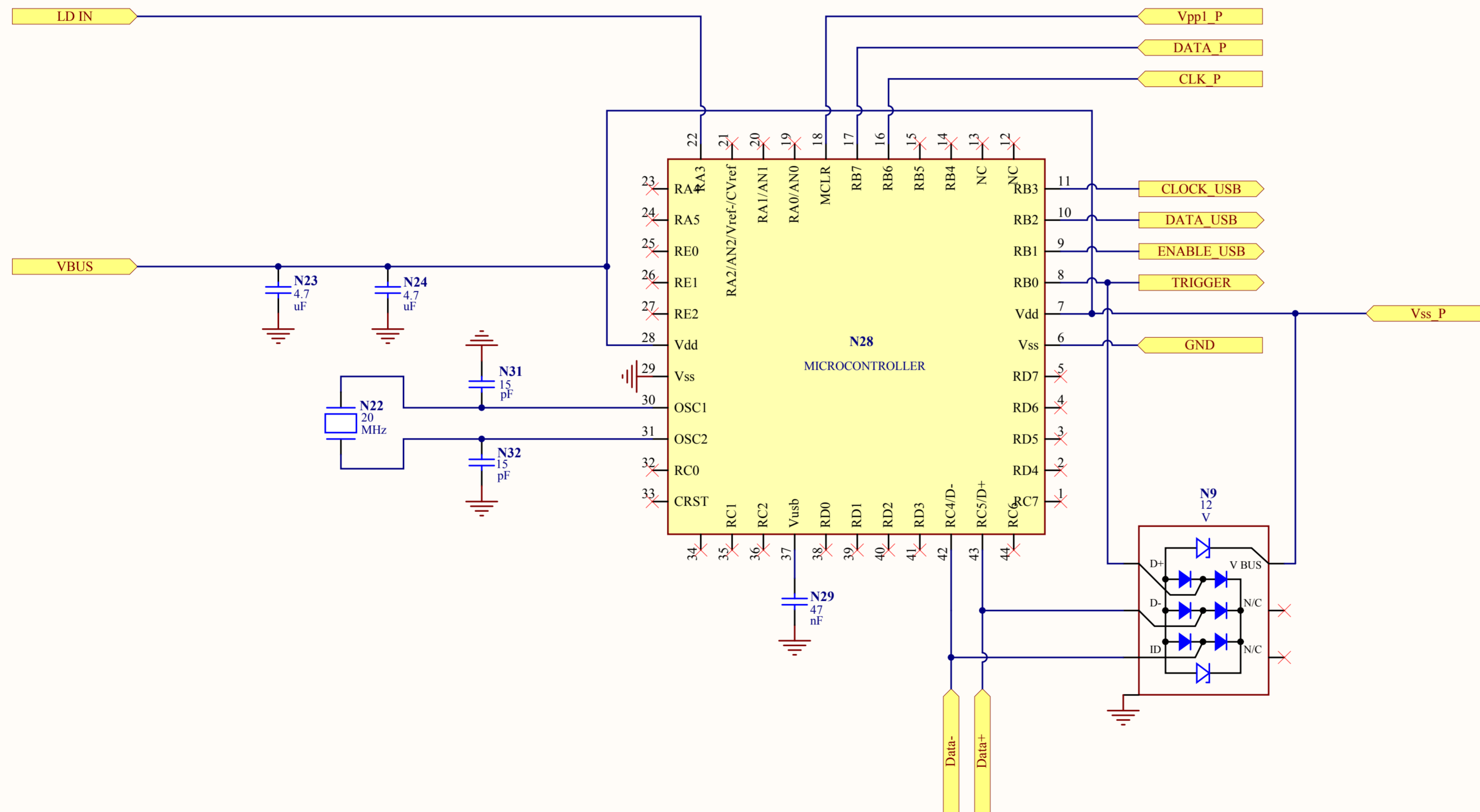
SCHMITT TRIGGER FILTERING



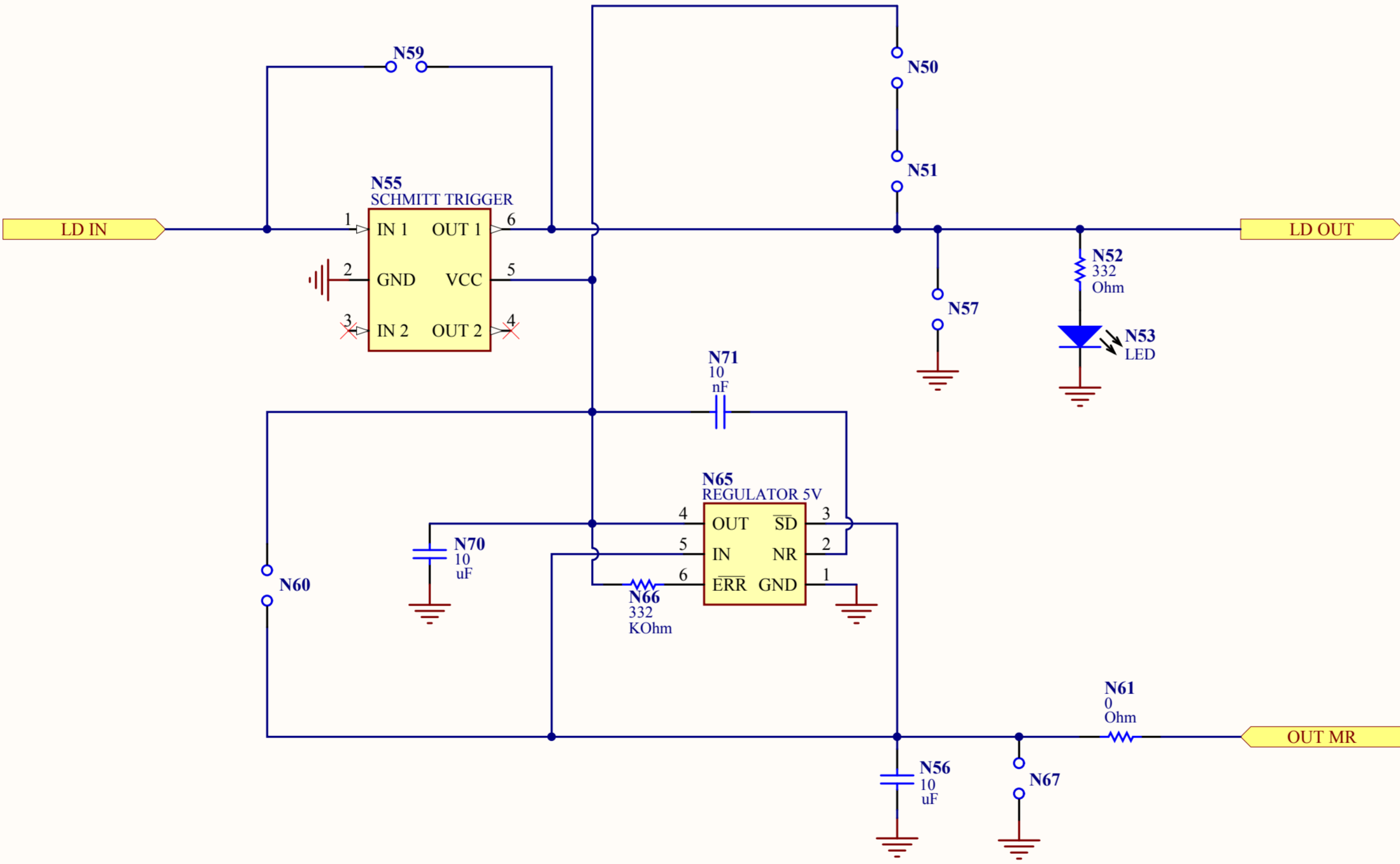
SCHMITT TRIGGER



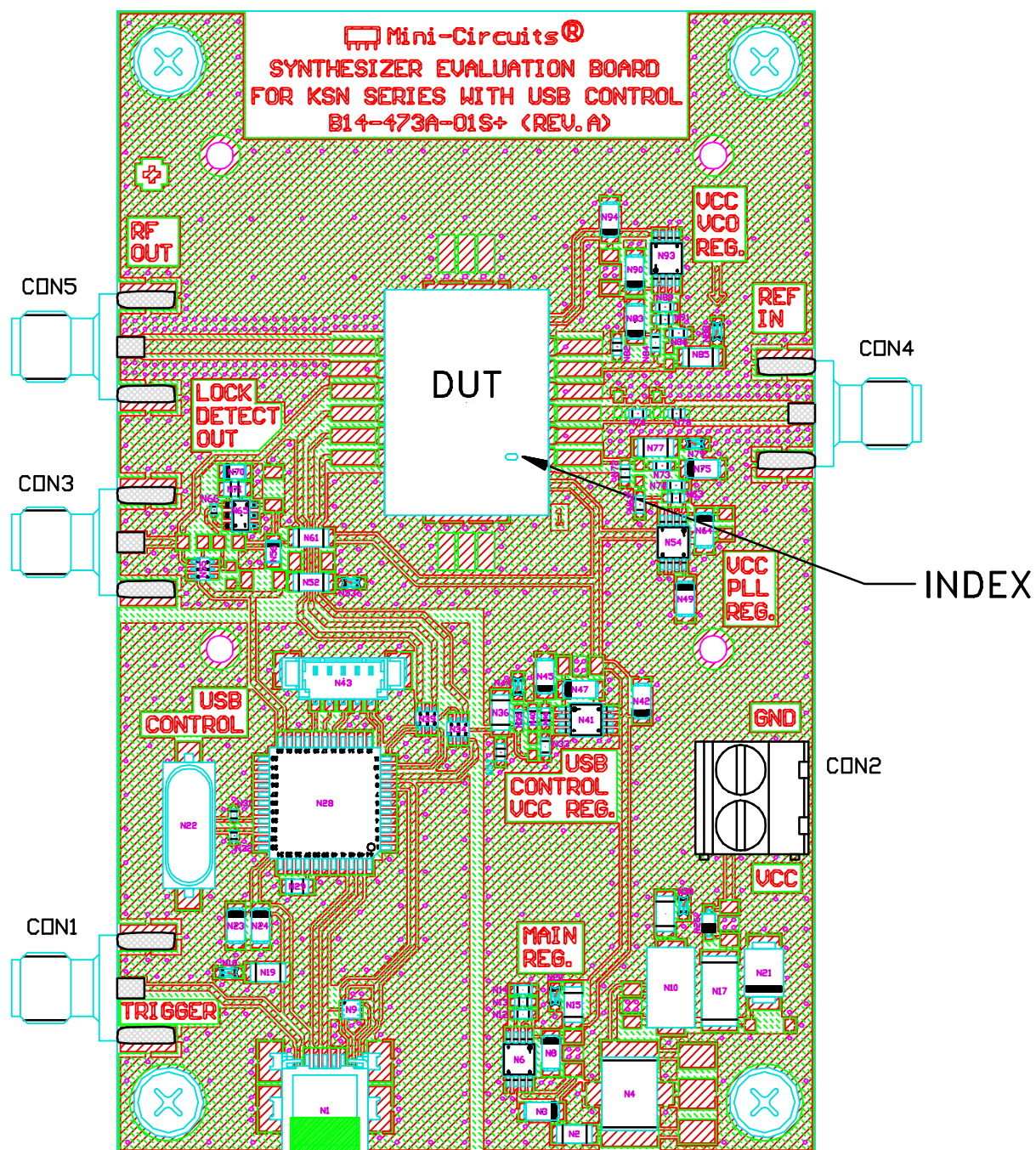
USB CONTROLER



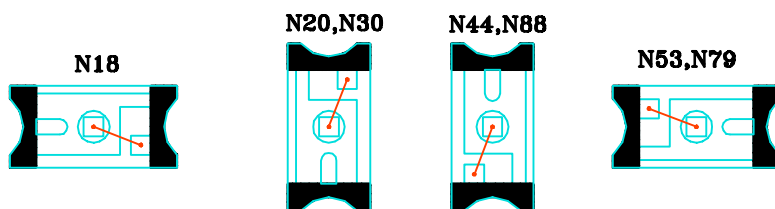
LD REGULATOR SCHMITT TRIGGER AND LED



Evaluation Board and Circuit



TB-567-6+



NOTES:

1. SMA F JACK CONNECTORS.
2. PCB MATERIAL: FR4 OR EQUIVALENT, DIALECTRIC CONSTANT=4.7, DIALECTRIC THICKNESS=.059 INCH.