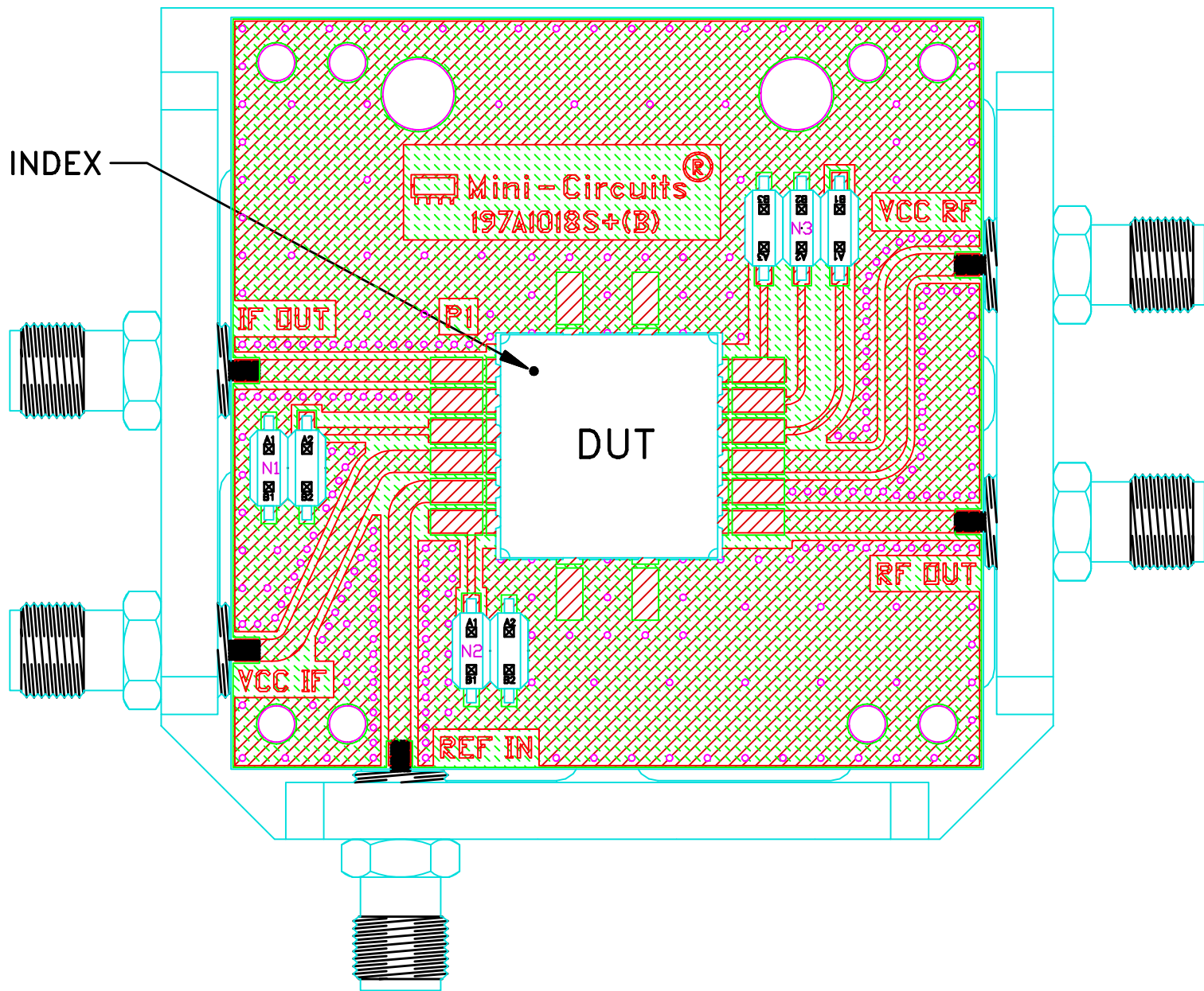


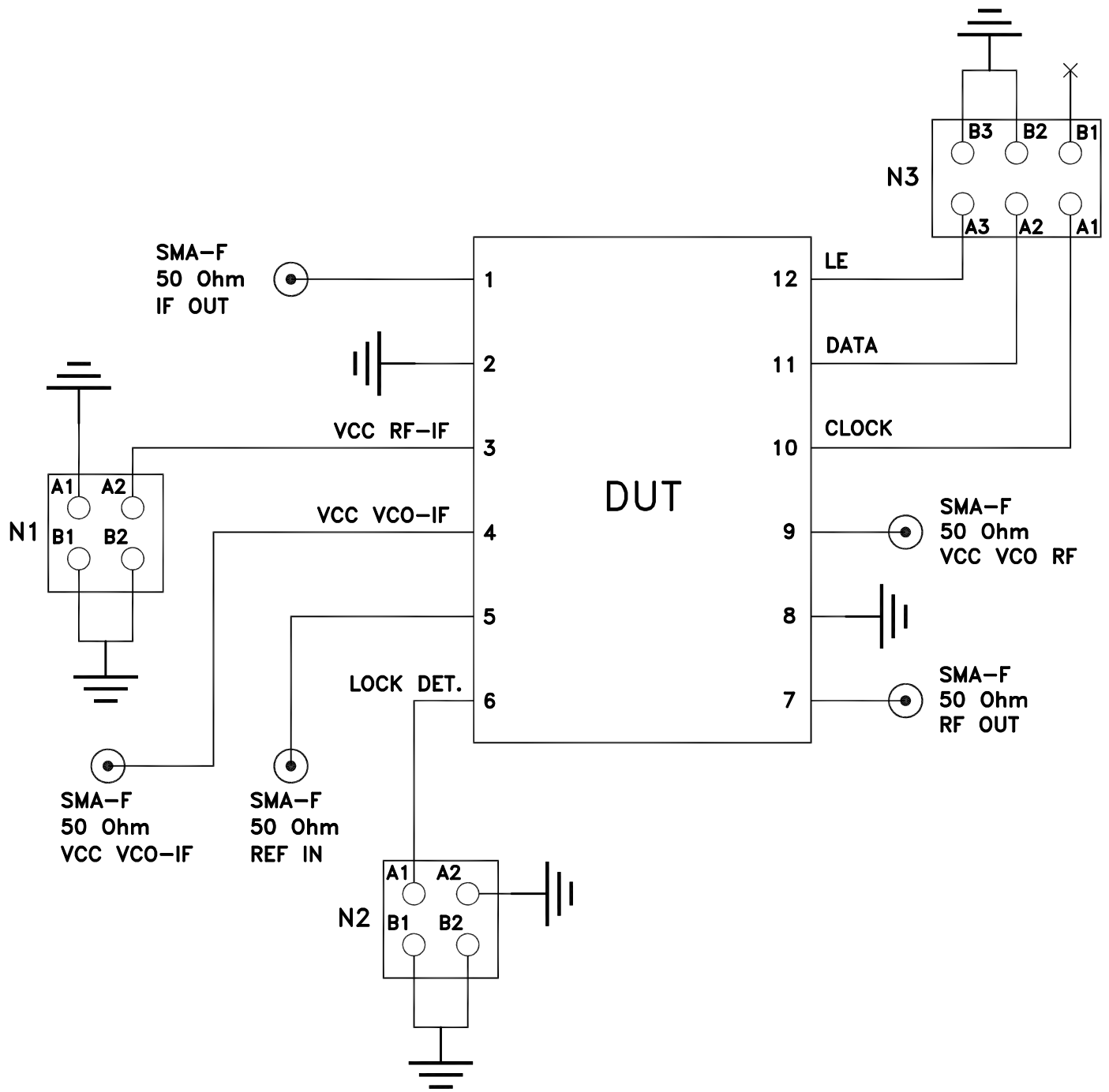
Evaluation Board and Circuit



TB-571+

NOTES:

1. SMA FEMALE CONNECTORS.
2. PCB MATERIAL: R04350B OR EQUIVALENT, DIALECTRIC CONSTANT=3.5, DIALECTRIC THICKNESS=.030 INCH.



TB-571+
Schematic Diagram