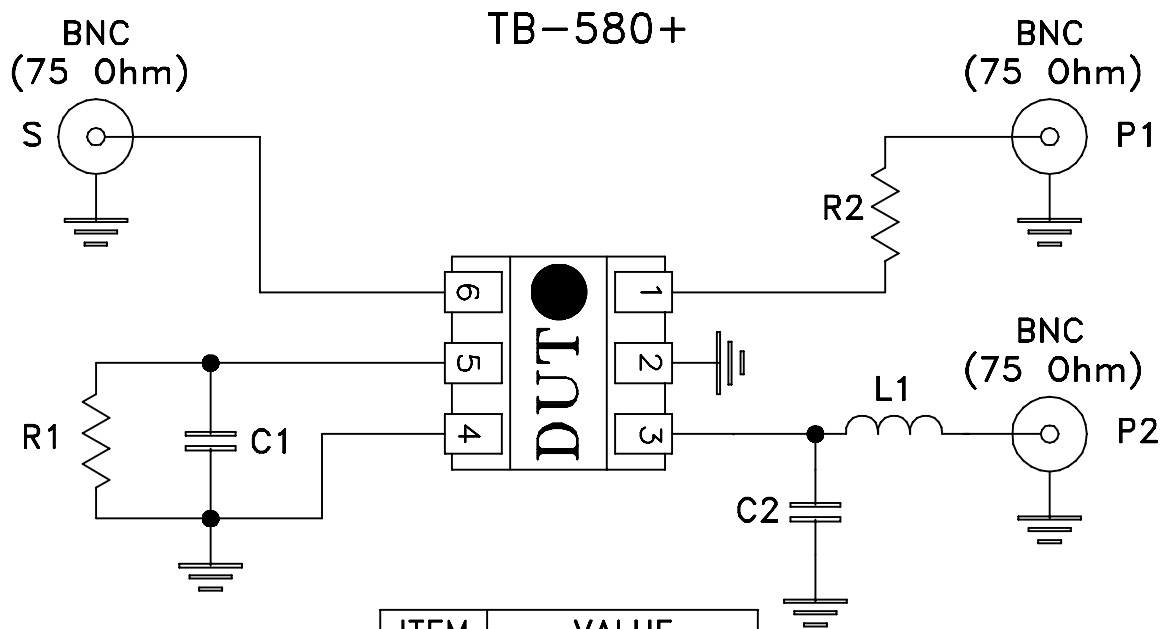
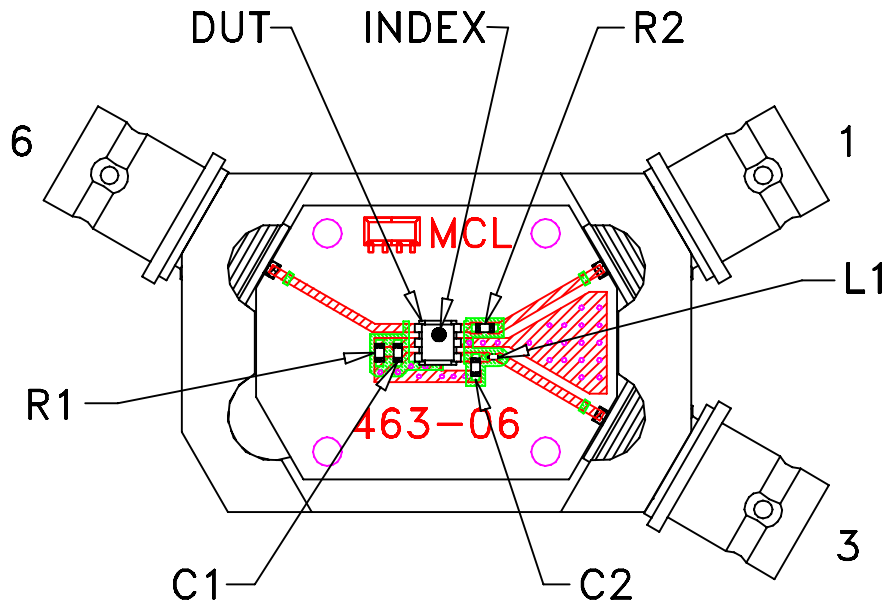



# Evaluation Board and Circuit



ITEM	VALUE
R1	30.1 OHM
R2	4.99 OHM
C1	3.6 pF
C2	0.8 pF
L1	3.6 nH

## Notes:

- 75 Ohm BNC connectors.
- PCB Material: R04350 or equivalent,  
Dielectric Constant=3.5, Thickness=.030 inch.

 Mini-Circuits®