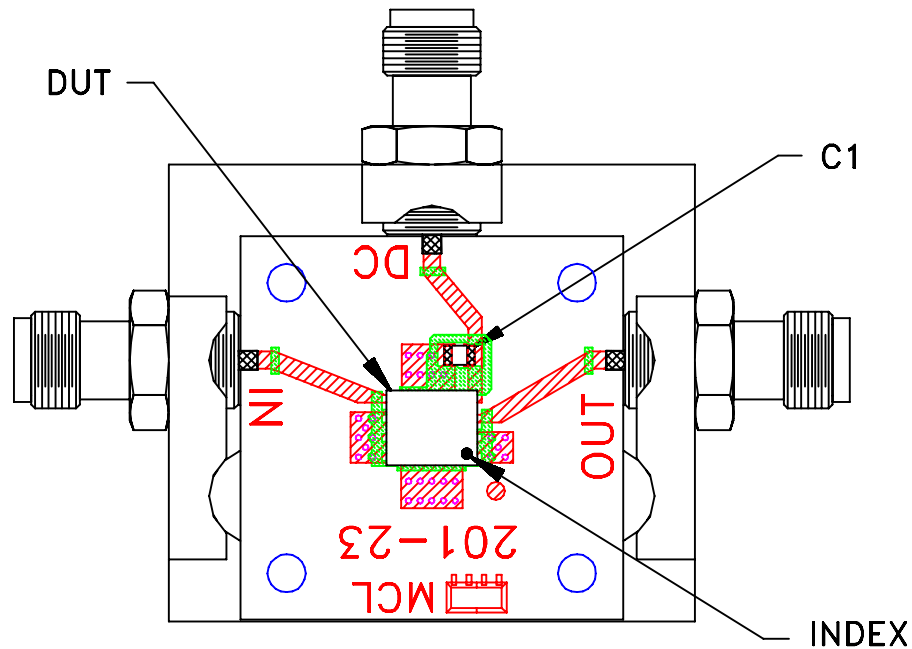
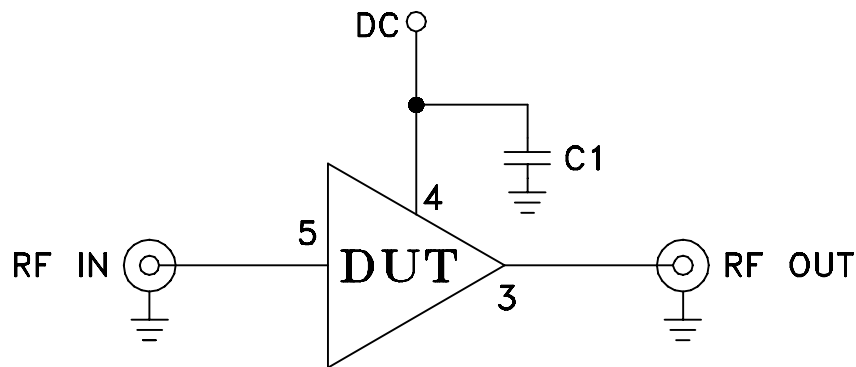


Evaluation Board and Circuit



TB-616-3+




| COMPONENT | VALUE |
|-----------|----------|
| DUT | YSF-162+ |
| C1 | 1000 pF |

Schematic Diagram

Notes:

1. 50 Ohm SMA Female connectors.
2. PCB Material: R04350 or equivalent,
Dielectric Constant=3.5, Thickness=.020 inch.

 **Mini-Circuits®**