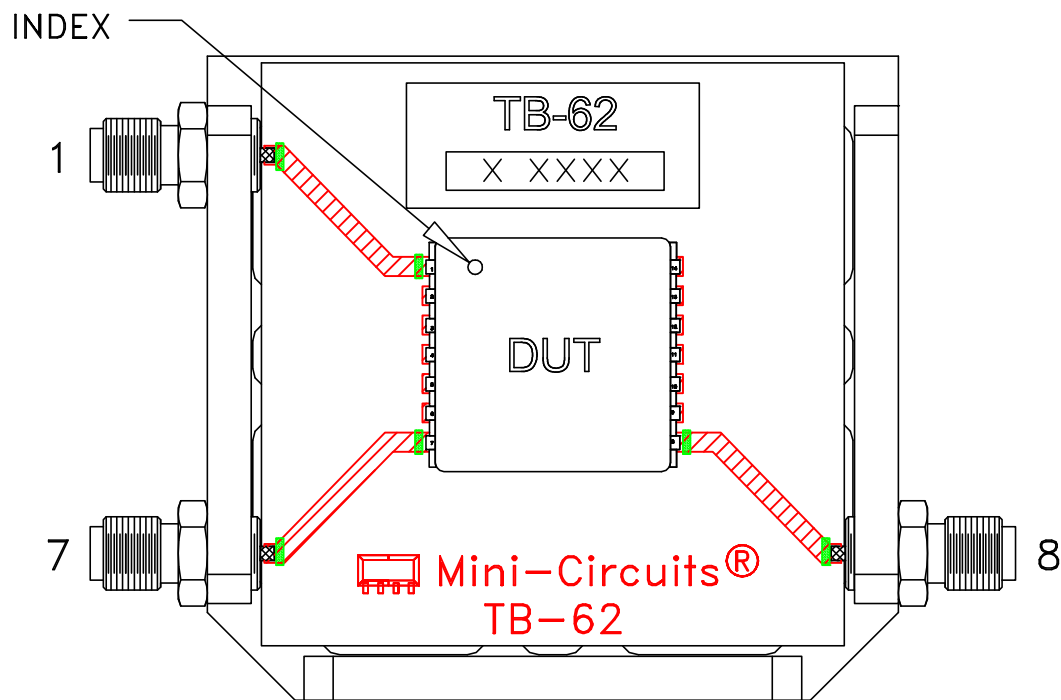
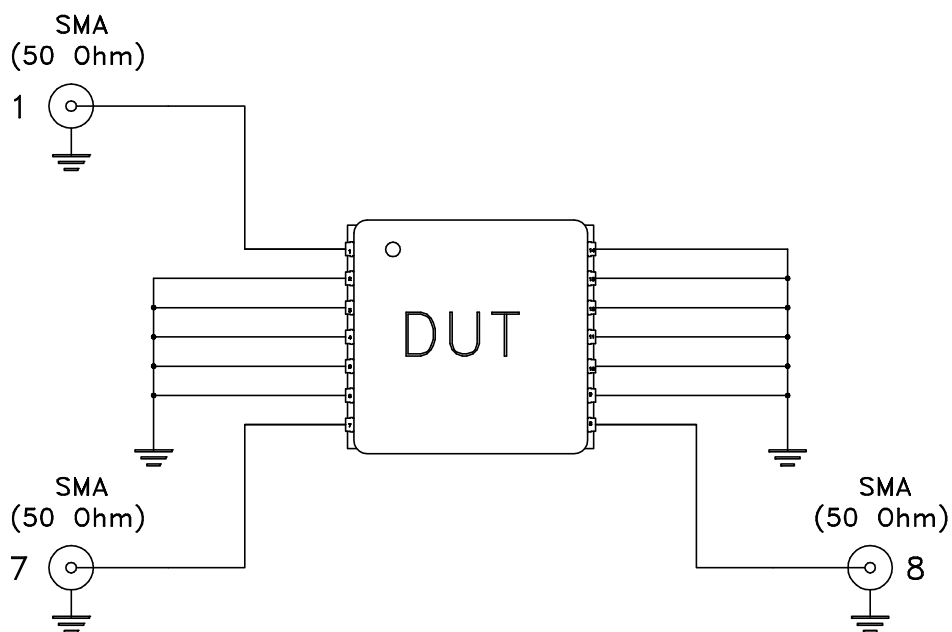


# Evaluation Board and Circuit

For Pin Connection Refer to  
Data Sheet of the DUT



TB-62



Schematic Diagram

## Notes:

1. SMA Female connectors.
2. PCB Material: Rogers R04350 or equivalent,  
Dielectric Constant=3.5, Thickness=.030 inch.

Mini-Circuits®