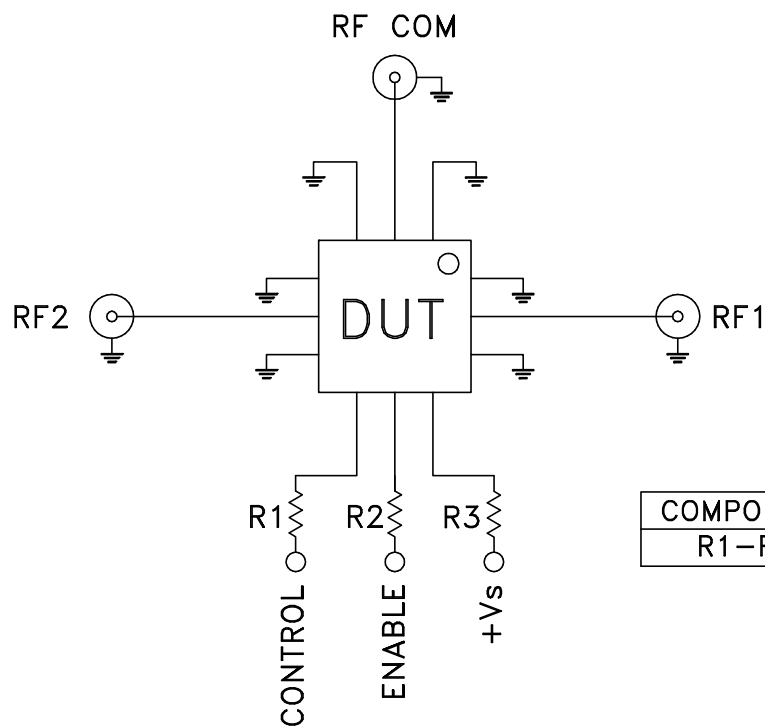
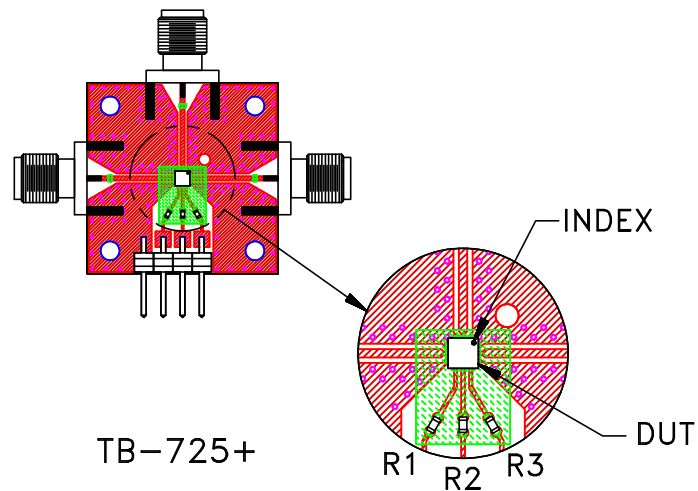


Evaluation Board and Circuit




COMPONENT	VALUE	SIZE
R1-R3	1 kOhm	0402

Schematic Diagram

Notes:

1. 50 Ohm SMA Female connectors.
2. PCB Material: R04350 or equivalent,
Dielectric Constant=3.5, Thickness=.030 inch.

 Mini-Circuits®