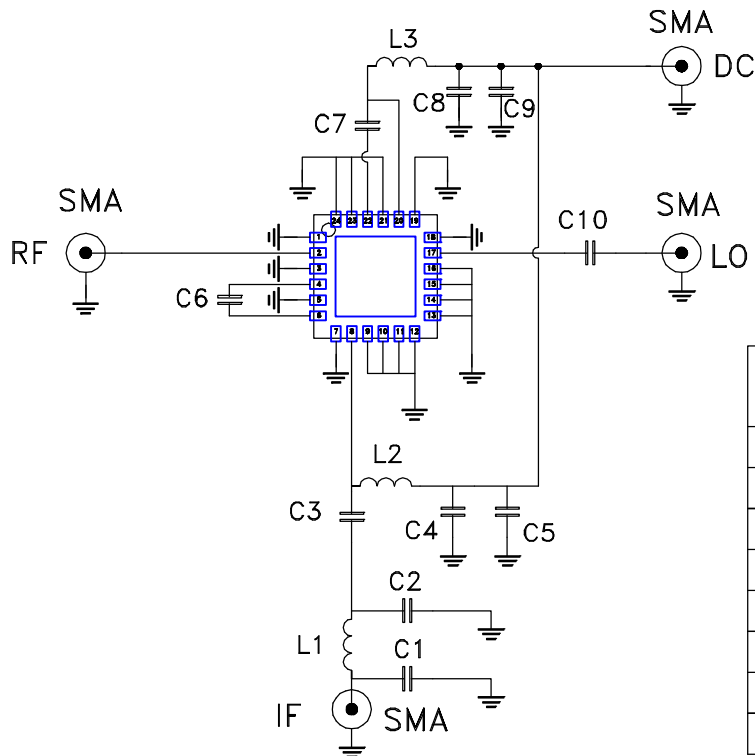
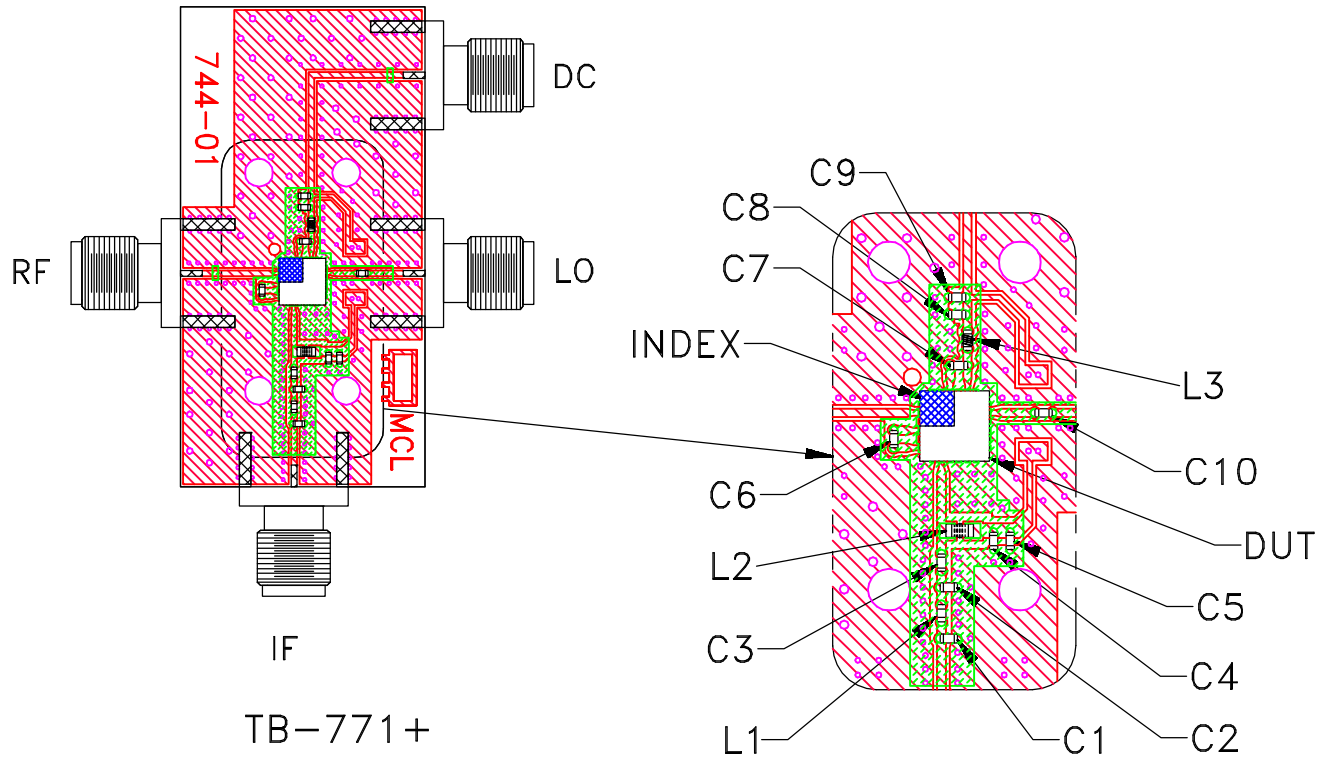


# Evaluation Board and Circuit



Schematic Diagram

Notes:

1. 50 Ohm SMA Female connectors.
2. PCB Material: R04350 or equivalent,  
Dielectric Constant=3.5, Thickness=.010 inch.

COMPONENT	VALUE	SIZE
DUT	MDA4-752H+	4X4 MM
L1	4.7nH	0402
L2	390nH	0603
L3	36nH	0402
C1,C2	3pF	0402
C3,C6	.01uF	0402
C4,C7,C8,C10	100pF	0402
C5,C9	0.1uF	0402

