

Surface Mount

# Monolithic Amplifier

DC-4 GHz

## Product Features

- DC-4 GHz
- Single Voltage Supply
- Internally Matched to 50 Ohms
- Low Performance Variation Over Temperature
- Transient Protected
- Aqueous washable
- Protected By US Patent 6,943,629

**ERA-4XSM+**

CASE STYLE: WW107

## Typical Applications

- Cellular/ PCS/ 3G Base Station
- CATV, Cable Modem & DBS
- Fixed Wireless & WLAN
- Microwave Radio & Test Equipment

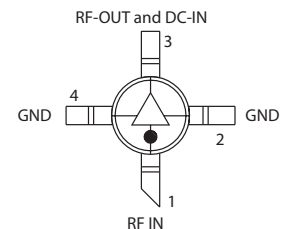
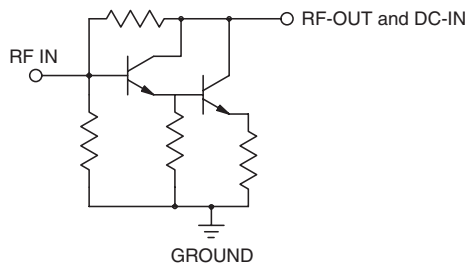
**+RoHS Compliant**

The +Suffix identifies RoHS Compliance. See our web site for RoHS Compliance methodologies and qualifications

## General Description

ERA-4XSM+ (RoHS compliant) is a wideband amplifier offering high dynamic range. It has repeatable performance from lot to lot. It is enclosed in a Micro-X package. ERA-4XSM+ uses Darlington configuration and is fabricated using InGaP HBT technology. Expected MTTF is 150 years at 85°C case temperature.

## simplified schematic and pin description



Function	Pin Number	Description
RF IN	1	RF input pin. This pin requires the use of an external DC blocking capacitor chosen for the frequency of operation.
RF-OUT and DC-IN	3	RF output and bias pin. DC voltage is present on this pin; therefore a DC blocking capacitor is necessary for proper operation. An RF choke is needed to feed DC bias without loss of RF signal due to the bias connection, as shown in "Recommended Application Circuit".
GND	2,4	Connections to ground. Use via holes as shown in "Suggested Layout for PCB Design" to reduce ground path inductance for best performance.

**Notes**

- A. Performance and quality attributes and conditions not expressly stated in this specification document are intended to be excluded and do not form a part of this specification document.  
 B. Electrical specifications and performance data contained in this specification document are based on Mini-Circuit's applicable established test performance criteria and measurement instructions.  
 C. The parts covered by this specification document are subject to Mini-Circuits' standard limited warranty and terms and conditions (collectively, "Standard Terms"); Purchasers of this part are entitled to the rights and benefits contained therein. For a full statement of the Standard Terms and the exclusive rights and remedies thereunder, please visit Mini-Circuits' website at [www.minicircuits.com/MCLStore/terms.jsp](http://www.minicircuits.com/MCLStore/terms.jsp)



Electrical Specifications<sup>(1)</sup> at 25°C and 65mA, unless noted

Parameter	Condition (GHz)	Min.	Typ.	Max.	Units
Frequency Range*		DC		4	GHz
Gain	0.1	13.7	14.4	15	dB
	1.0	—	14.2	—	
	2.0	12.5	13	13.6	
	3.0	—	12	—	
	4.0	10.8	11.3	12.2	
Magnitude of Gain Variation versus Temperature (values are negative)	0.1	—	.003	.006	dB/°C
	1.0	—	.0025	.006	
	2.0	—	.0031	.006	
	3.0	—	.0042	.008	
	4.0	—	.0051	.01	
Input Return Loss	0.1		35		dB
	2.0		30		
	3.0		21		
	4.0		21		
Output Return Loss	0.1		35		dB
	2.0		21		
	3.0		21		
	4.0		16		
Reverse Isolation	2	18	23	—	dB
Output Power @ 1 dB compression	0.1	—	17.5	—	dBm
	1.0	15	17.3	—	
	2.0	—	16.1	—	
	3.0	—	14	—	
	4.0	—	11.7	—	
Saturated Output Power (at 3dB compression)	0.1		17.8		dBm
	2.0		16.5		
Output IP3	0.1	32	36.1	—	dBm
	1.0	31	35	—	
	2.0	27	30.4	—	
	4.0	—	25	—	
Noise Figure	0.1	—	4	5	dB
	1.0	—	4.2	5.2	
	2.0	—	4.2	5.2	
	4.0	—	4.5	5.5	
Group Delay	2.0		80		psec
Recommended Device Operating Current			65		mA
Device Operating Voltage		4.3	4.6	4.9	V
Device Voltage Variation vs. Temperature at 65mA			-2.9		mV/°C
Device Voltage Variation vs. Current at 25°C			10.4		mV/mA
Thermal Resistance, junction-to-case <sup>(2)</sup>			196		°C/W

\*Guaranteed specification DC-4 GHz. Low frequency cut off determined by external coupling capacitors.

## Absolute Maximum Ratings

Parameter	Ratings
Operating Temperature <sup>(3)</sup>	-45°C to 85°C
Storage Temperature	-65°C to 150°C
Operating Current	85mA
Power Dissipation	417mW
Input Power	20 dBm

Note: Permanent damage may occur if any of these limits are exceeded. These ratings are not intended for continuous normal operation.

<sup>(1)</sup>Measured on Mini-Circuits characterization test board TB-289.

<sup>(2)</sup>Case is defined as ground leads.

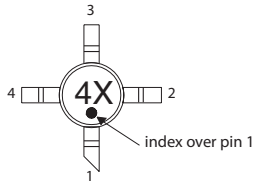
<sup>(3)</sup>Based on typical case temperature rise 5°C above ambient.

## Notes

- A. Performance and quality attributes and conditions not expressly stated in this specification document are intended to be excluded and do not form a part of this specification document.  
 B. Electrical specifications and performance data contained in this specification document are based on Mini-Circuit's applicable established test performance criteria and measurement instructions.  
 C. The parts covered by this specification document are subject to Mini-Circuits standard limited warranty and terms and conditions (collectively, "Standard Terms"); Purchasers of this part are entitled to the rights and benefits contained therein. For a full statement of the Standard Terms and the exclusive rights and remedies thereunder, please visit Mini-Circuits' website at [www.minicircuits.com/MCLStore/terms.jsp](http://www.minicircuits.com/MCLStore/terms.jsp)



### Product Marking



### Additional Detailed Technical Information

Additional information is available on our web site. To access this information enter the model number on our web site home page.

### Performance data, graphs, s-parameter data set (.zip file)

#### Case Style: WW107

Plastic micro-x, .085 body diameter, lead finish: tin-silver over nickel

#### Tape & Reel: F4

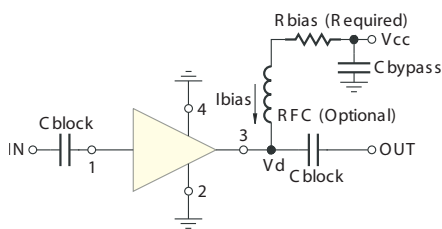
7" Reels with 20, 50, 100, 200, 500, 1K devices

#### Suggested Layout for PCB Design: PL-075

#### Evaluation Board: TB-408-4+

#### Environmental Ratings: ENV08T2

### Recommended Application Circuit



Test Board includes case, connectors, and components (in bold) soldered to PCB

R BIAS	
Vcc	"1%" Res. Values (ohms) for Optimum Biasing
7	38.3
8	52.3
9	66.5
10	80.6
11	95.3
12	115
13	127
14	143
15	158
16	174
17	187
18	205
19	221
20	237

#### Notes

- A. Performance and quality attributes and conditions not expressly stated in this specification document are intended to be excluded and do not form a part of this specification document.
- B. Electrical specifications and performance data contained in this specification document are based on Mini-Circuit's applicable established test performance criteria and measurement instructions.
- C. The parts covered by this specification document are subject to Mini-Circuits standard limited warranty and terms and conditions (collectively, "Standard Terms"); Purchasers of this part are entitled to the rights and benefits contained therein. For a full statement of the Standard Terms and the exclusive rights and remedies thereunder, please visit Mini-Circuits' website at [www.minicircuits.com/MCLStore/terms.jsp](http://www.minicircuits.com/MCLStore/terms.jsp)

### ESD Rating

Human Body Model (HBM): Class 1A (250 v to < 500 v) in accordance with ANSI/ESD STM 5.1 - 2001

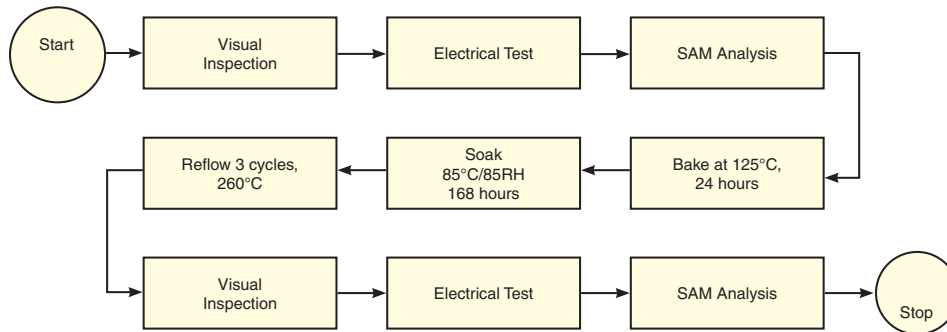
Machine Model (MM): Class M1 (< 100 v) in accordance with ANSI/ESD STM 5.2 - 1999

### MSL Rating

Moisture Sensitivity: MSL1 in accordance with IPC/JEDECJ-STD-020

No.	Test Required	Condition	Standard	Quantity
1	Visual Inspection	Low Power Microscope Magnification 40x	MIP-IN-0003 (MCT spec)	45 units
2	Electrical Test	Room Temperature	SCD (MCL spec)	45 units
3	SAM Analysis	Less than 10% growth in term of delamination	J-Std-020C (Jedec Standard)	45 units
4	Moisture Sensitivity Level 1	Bake at 125°C for 24 hours Soak at 85°C/85%RH for 168 hours Reflow 3 cycles at 260°C peak	J-Std-020C (Jedec Standard)	45 units

### MSL Test Flow Chart



#### Notes

- A. Performance and quality attributes and conditions not expressly stated in this specification document are intended to be excluded and do not form a part of this specification document.
- B. Electrical specifications and performance data contained in this specification document are based on Mini-Circuit's applicable established test performance criteria and measurement instructions.
- C. The parts covered by this specification document are subject to Mini-Circuits standard limited warranty and terms and conditions (collectively, "Standard Terms"); Purchasers of this part are entitled to the rights and benefits contained therein. For a full statement of the Standard Terms and the exclusive rights and remedies thereunder, please visit Mini-Circuits' website at [www.minicircuits.com/MCLStore/terms.jsp](http://www.minicircuits.com/MCLStore/terms.jsp)