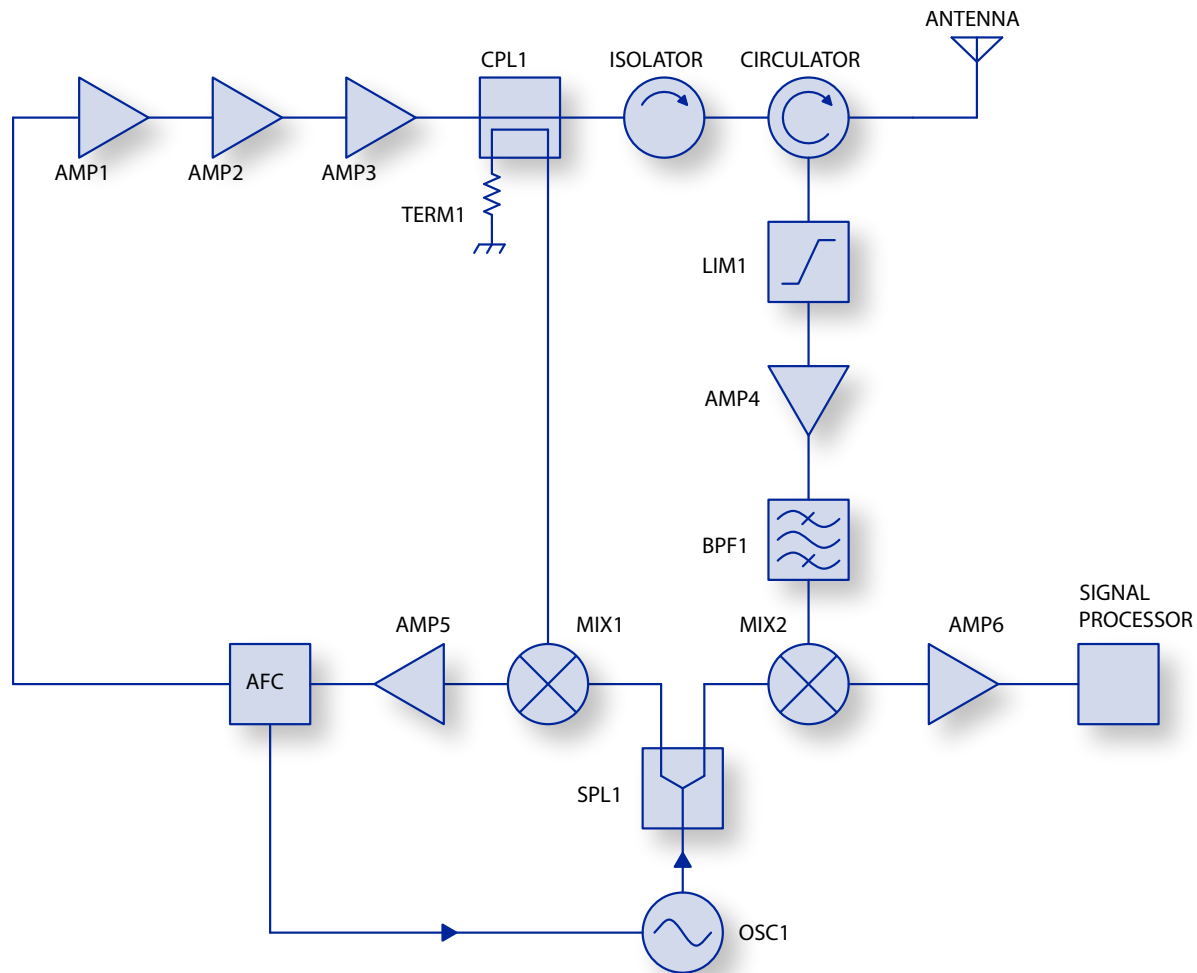


RADAR SYSTEM



Schematic Part No.	Sample Mini-Circuits Model Families
AMP1, AMP2, AMP4 AMP5, AMP6,	CMA , PHA , GVA , GALI , LEE , ERA , MNA , MAR , RAM , VAM
AMP3	ZHL
BF1	BFCN , BFCG , BPE , CBP , SXBP , SYBP XBF
CPL1	Coaxial: ZFDC , ZFBDC , ZABDC , ZGBDC Surface Mount: BDCN , SYBD , SYDC

Schematic Part No.	Sample Mini-Circuits Model Families
LIM1	CLM , RLM
MIX1, MIX2, MIX3	ADE , LRMS , MAC , MBA , SIM , SYM , SKY , LAVI
OSC1	MOS , ROS , JTOS
SPL1	TCP , ADP , EP , BP , GP , SCN
TERM1	ANNE or chip resistor