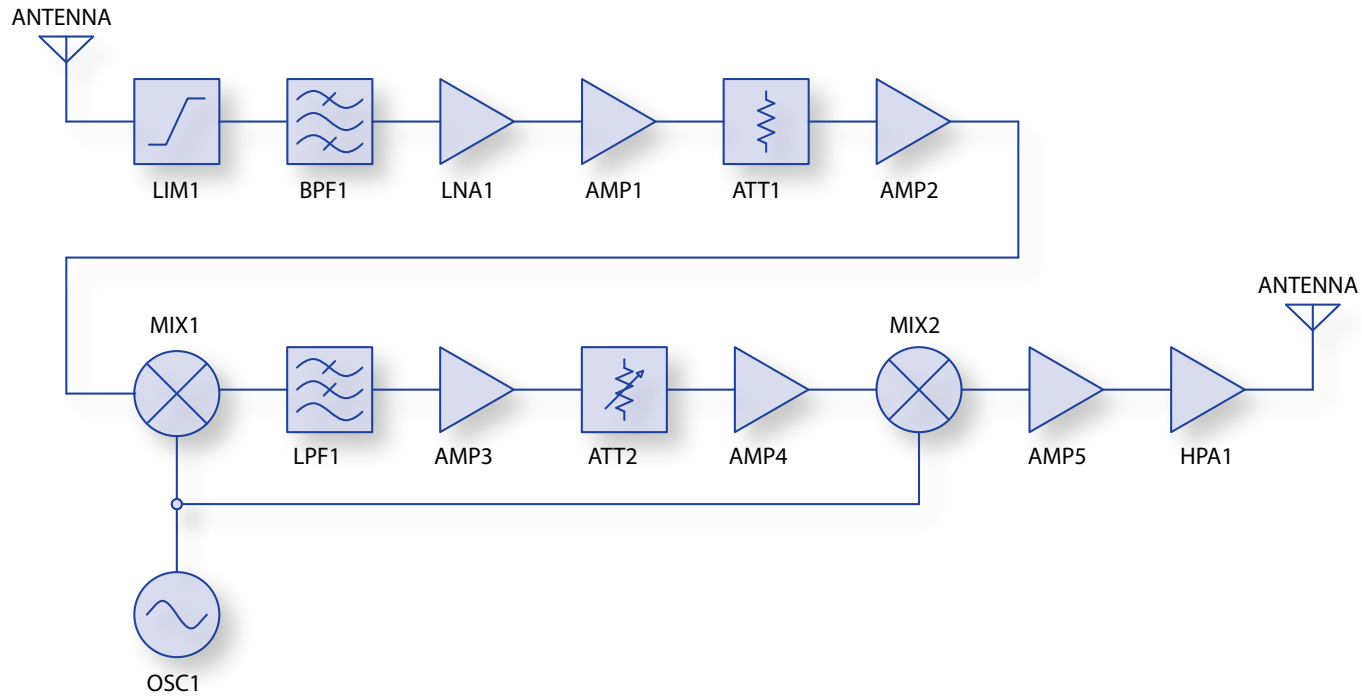


REPEATER



Schematic Part No.	Sample Mini-Circuits Model Families
AMP1, AMP2, AMP3, AMP4, AMP5	MAR , GALI , GVA , VNA , VAM , RAM , YSE , ERA , MNA , LEE , PGA , PHA , PSA
ATT1	GAT , PAT , YAT , RCAT
ATT2	DAT , EVA , RVA , HVA , MVA , SVA , SYVA , VACC
BPF1	BFCN , RBP , BFCG , BPF , CBP , JCBP , SXBP , SYBP
HPA1	GVA (up to 1watt)
LIM1	RLM , CLM
LNA1	SAV , TAV , CMA , PMA , PGA , PSA , RAMP , TAMP
LPF1	LFCN
MIX1, MIX2	ADE , SIM , MAC , etc
OSC1	ROS , KSN