



## ZT-100 DC - 8.5 GHz 2 x 10 Switch Matrix/VNA Port Extender

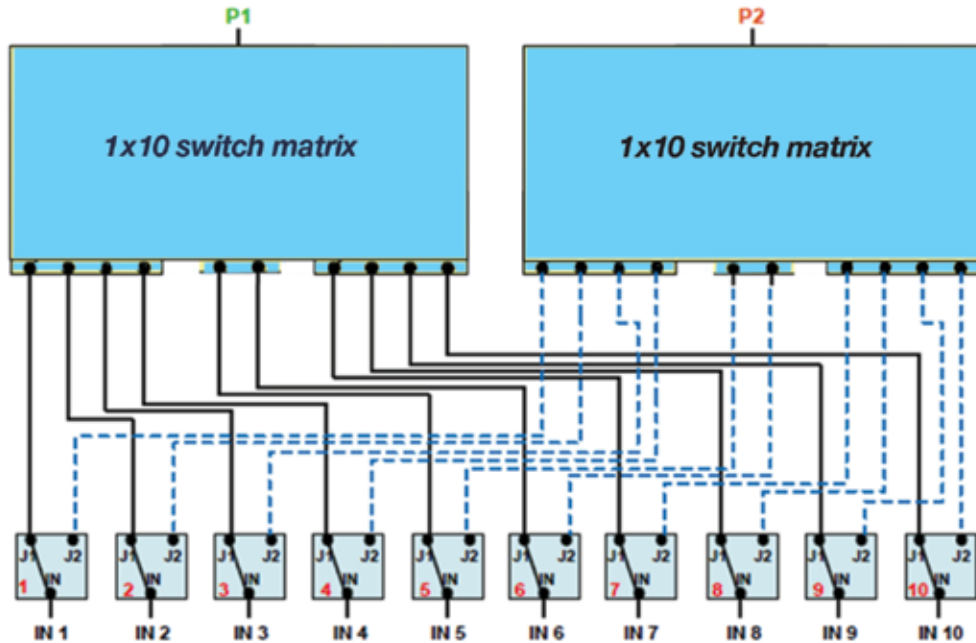
### Functional Description

With crossbar configuration, this switch matrix can connect two input ports to any two of the ten output ports with just the push of a button on our intuitive GUI screen. This unit makes it possible to test multiple devices in parallel, improving testing efficiency and throughput.

### Electrical Performance

PARAMETER	UNIT	TYPICAL PERFORMANCE
Operating Frequency	GHz	DC – 8.5
Insertion Loss	dB	7.5
Return Loss	dB	20
Isolation	dB	95
AC Supply	V	110/220
Supply Current	A	10 (max.)
Control Interface		USB Standard. Available with Ethernet-TCP/IP supporting HTTP and Telnet network protocols.

Functional Schematic



ZT-100 GUI Main Screen

