



## ZT-122 2-18 GHz

### **6 Channel RF Signal Distribution Matrix with Push-Button Control**

#### **Functional Description**

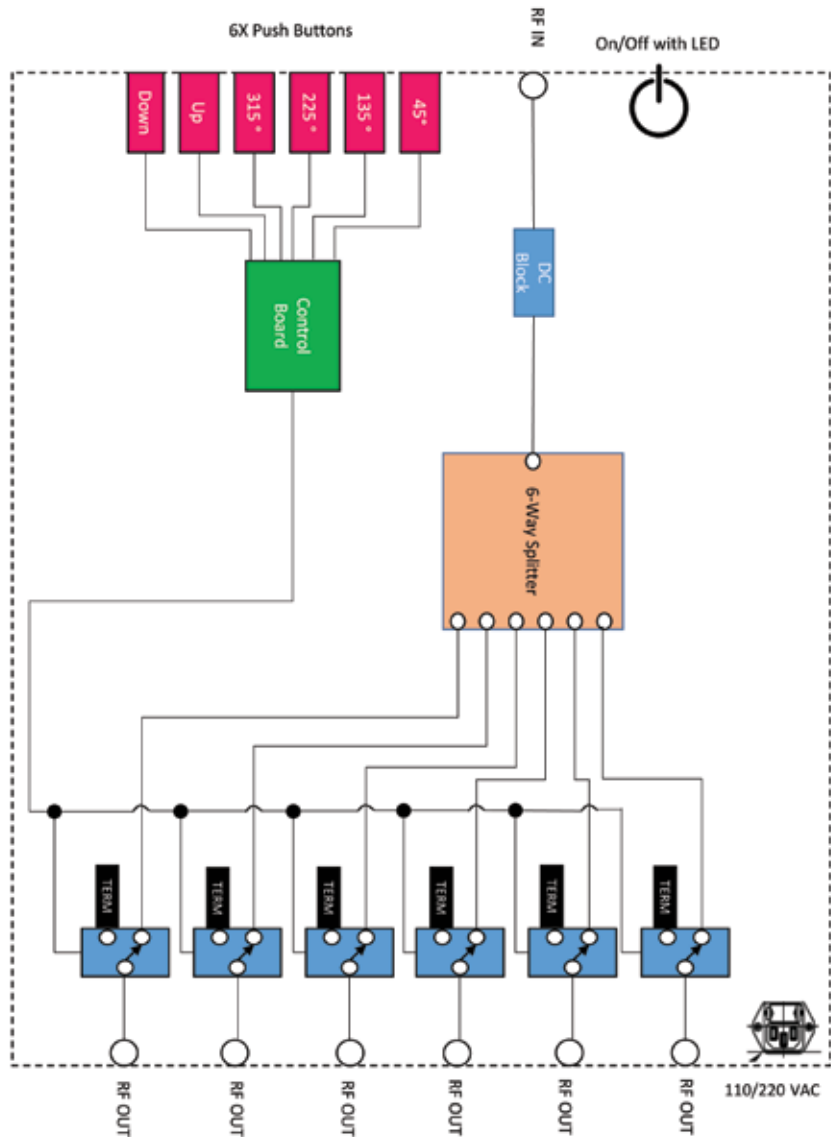
For test requirements where a test tone needs to be directed to one or more outputs simultaneously, the ZT-122 signal distribution matrix provides flexibility with six push-button switch controls on the front panel for change-on-the-fly situations. Operation over 2-18 GHz is standard. Output connector types can be chosen from TNC, SMA, and type N.

#### **Electrical Performance**

PARAMETER	SPECIFICATIONS			
	Unit	Min.	Typ.	Max.
Operating Frequency	GHz	2	-	18
Total Path Loss	dB	-	16	-
VSWR	:1	-	2.0	-
RF Input Power	dBm	-	-	+20
Supply Voltage	V	-	110/230	-

## ZT-122 Functional Schematic

### Front Panel



### Rear Panel

This design allows the user to send the test signal to up to six phased array antennas in any combination with the push of a button. Each path can be individually controlled by push buttons on the front panel. High-isolation electromechanical switches used in this design (85 dB typical) provide excellent port-to-port isolation preventing signal leakage between channels.