



ZT-155 100 MHz - 18 GHz 8 Channel Switch Matrix for Amplifier Testing

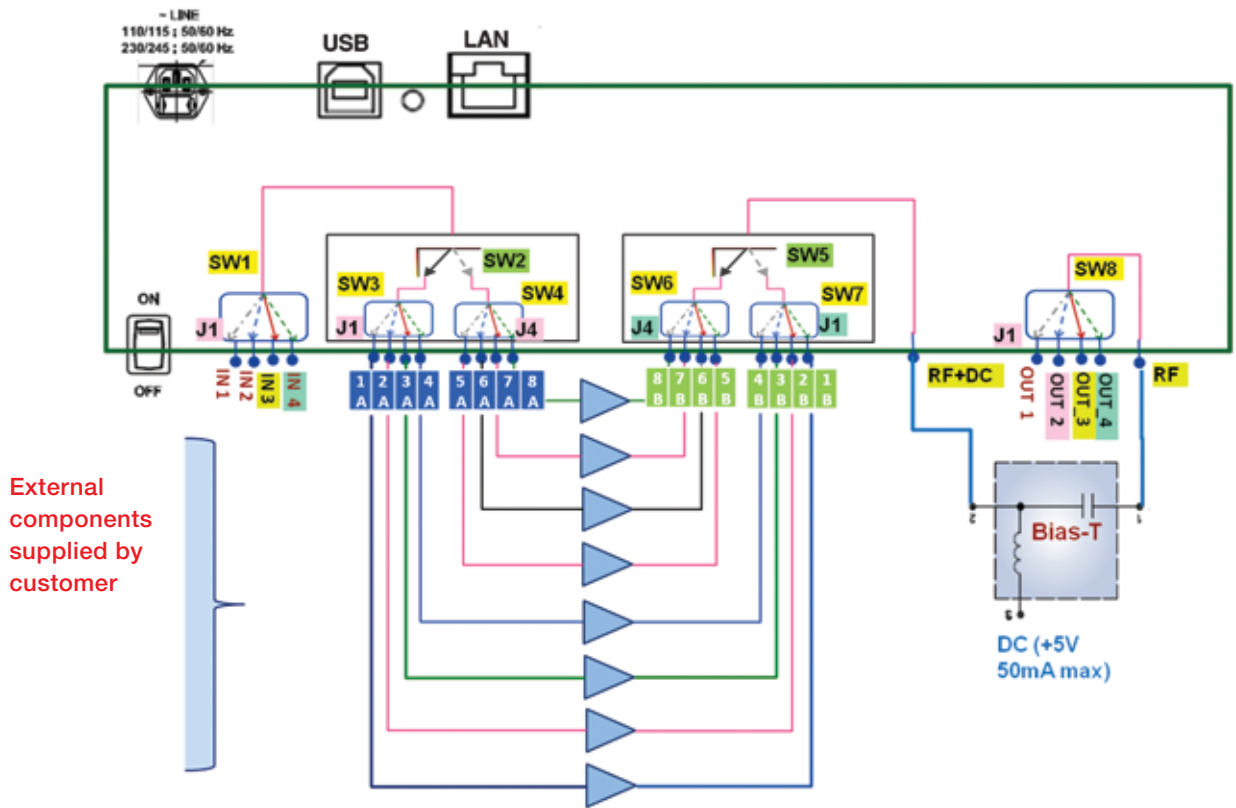
Functional Description

ZT-155 houses a pair of 4 by 8 switch matrices, arranged for the specialized requirements of amplifier production testing. The input 4 to 8 matrix allows multiple test signals to be routed through any of the 8 amplifiers under test, while the output 8 to 4 matrix allows automated switching between multiple test scenarios. Additionally, the output switch matrix includes an external “jumper” connection where a DC bias signal can be inserted through an external bias-tee.

Electrical Performance

PARAMETER	SPECIFICATIONS			
	Unit	Min.	Typ.	Max.
Operating Frequency	GHz	0.1	-	18
Insertion Loss (per 4 by 8 path)	dB	-	5	-
RF Input Power	dBm	-	-	23
Return Loss	dB	-	20	-
DC Input	-	-	-	5V, 50 mA

Functional Schematic



ZT-155 Curves

