



COAXIAL

# DC Block BNC

## BLK-222+

Mini-Circuits

50Ω 10 to 2200 MHz

### THE BIG DEAL

- Low Insertion Loss
- Rugged Unibody Construction
- Off-the-shelf availability



Generic photo used for illustration purposes only

### APPLICATIONS

- CATV
- Test and Measurement Instrumentation
- Communication Systems
- Defense Systems

<b>Model No.</b>	BLK-222+
<b>Case Style</b>	FF747
<b>Connectors</b>	BNC Female BNC Male

#### +RoHS Compliant

The +Suffix identifies RoHS Compliance. See our web site for RoHS Compliance methodologies and qualifications

### PRODUCT OVERVIEW

Mini-Circuits' BLK-222+ is a coaxial DC Block supporting a wide range of applications from 10 MHz to 2200 MHz including test and measurement. This model provides low insertion loss, excellent return loss and voltage handling upto 100V. This unit features BNC-Female connector at one end and BNC-Male at another end and comes in rugged unibody.

### KEY FEATURES

Features	Advantages
Wideband, 10 MHz to 2200 MHz	Wide frequency range up to 2200 MHz provides application flexibility and makes this model ideal for broad-band and multi-band use.
Excellent Return Loss, 33 dB typ at 1000 MHz	Provides good matching for 50Ω systems and minimizes signal reflections across wide frequency range enabling its use in test and measurement.
Low insertion loss, 0.22 dB typ at 2200 MHz	Provides excellent signal power transmission from input to output.
Very wide operating temperature range, -55 to +100°C	Withstands wide operating conditions



COAXIAL

# DC Block BNC

## BLK-222+

Mini-Circuits

### ELECTRICAL SPECIFICATIONS AT 25°C

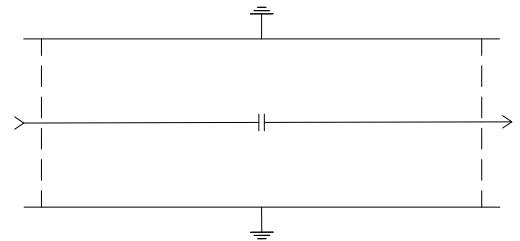
Parameter	Condition (MHz)	Min.	Typ.	Max.	Units
Frequency Range		10	—	2200	MHz
Insertion Loss	10 - 100	—	0.04	0.15	dB
	100 - 500	—	0.10	0.35	
	500 - 1000	—	0.16	0.45	
	1000 - 2200	—	0.22	0.70	
Return Loss	10 - 100	30	40	—	dB
	100 - 500	24	33	—	
	500 - 1000	22	33	—	
	1000 - 2200	14	27	—	

### MAXIMUM RATINGS

Parameter	Ratings
Operating Case Temperature	-55 °C to +100 °C
Storage Temperature	-55 °C to +100 °C
DC Input Voltage at inner/outer conductor	100V max.
RF Input Power	10W max at 25 °C

Permanent damage may occur if any of these limits are exceeded. Derate linearly to 5W at 100°C ambient.

### ELECTRICAL SCHEMATIC





COAXIAL

# DC Block BNC

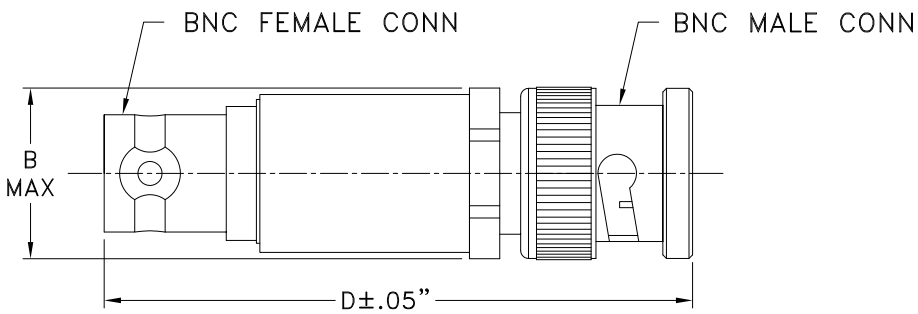
BLK-222+

Mini-Circuits

## COAXIAL CONNECTIONS

PORT 1	BNC-Female
PORT 2	BNC-Male

## OUTLINE DRAWING



## OUTLINE DIMENSIONS (Inch/mm)

	B	D	Weight Grams
inches	.62	1.94	
mm	15.75	49.28	30.0

Note. Please refer to case style drawing for details

Mini-Circuits



COAXIAL

# DC Block BNC

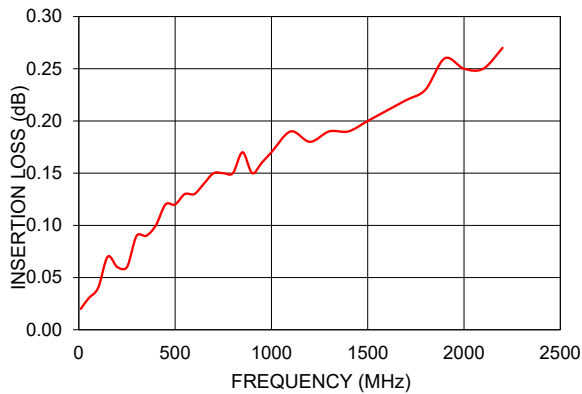
# BLK-222+

Mini-Circuits

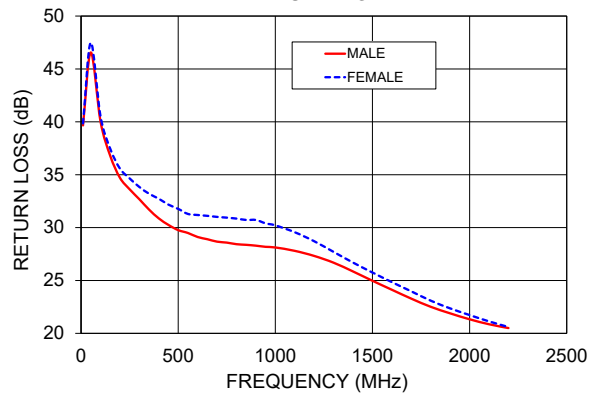
### TYPICAL PERFORMANCE DATA

Frequency (MHz)	Insertion Loss (dB)	Return Loss (dB)	
		Male	Female
10	0.02	39.66	39.85
50	0.03	46.56	47.48
100	0.04	40.04	40.53
250	0.06	33.62	34.65
400	0.10	30.87	32.73
500	0.12	29.76	31.77
600	0.13	29.11	31.19
750	0.15	28.58	30.94
900	0.15	28.29	30.72
1000	0.17	28.12	30.21
1200	0.18	27.32	28.71
1400	0.19	25.85	26.69
1500	0.20	24.97	25.75
1600	0.21	24.12	24.84
1800	0.23	22.51	23.09
1900	0.26	21.89	22.36
2200	0.27	20.50	20.60

BLK-222+  
INSERTION LOSS



BLK-222+  
RETURN LOSS



#### NOTES

- A. Performance and quality attributes and conditions not expressly stated in this specification document are intended to be excluded and do not form a part of this specification document.
- B. Electrical specifications and performance data contained in this specification document are based on Mini-Circuit's applicable established test performance criteria and measurement instructions.
- C. The parts covered by this specification document are subject to Mini-Circuits standard limited warranty and terms and conditions (collectively, "Standard Terms"); Purchasers of this part are entitled to the rights and benefits contained therein. For a full statement of the standard. Terms and the exclusive rights and remedies thereunder, please visit Mini-Circuits' website at [www.minicircuits.com/MCLStore/terms.jsp](http://www.minicircuits.com/MCLStore/terms.jsp)



## Typical Performance Data

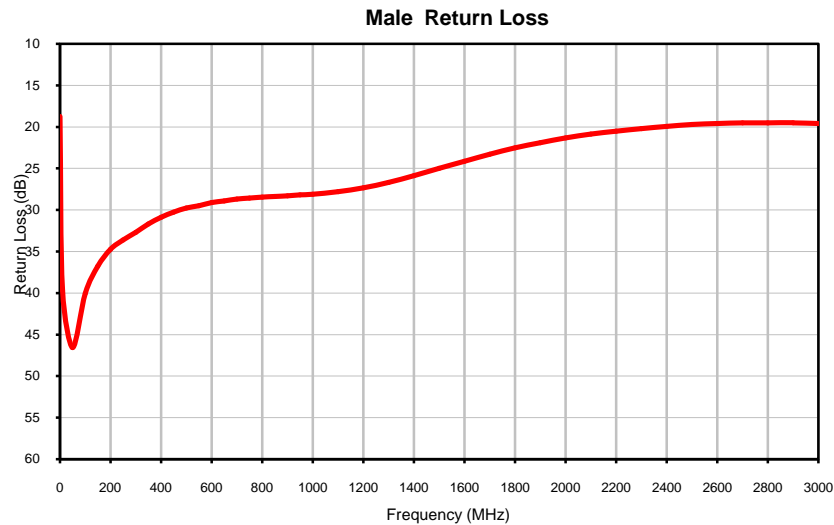
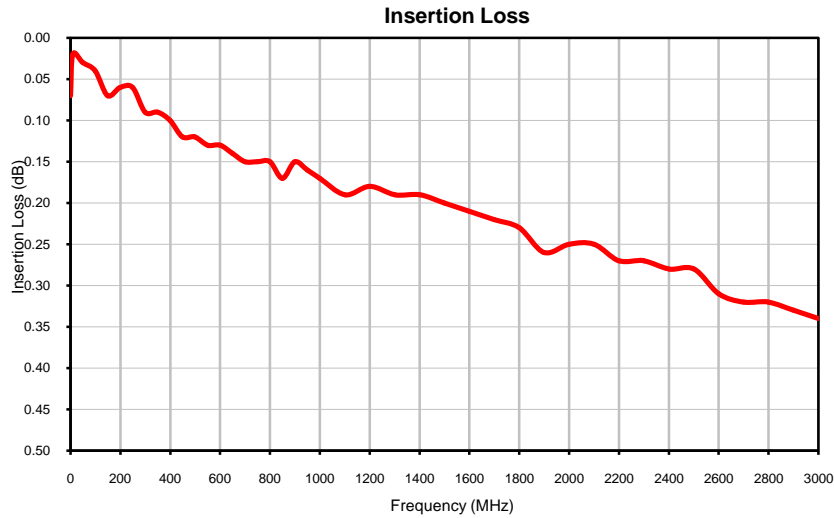
FREQUENCY (MHz)	INSERTION LOSS (dB)	MALE RETURN LOSS (dB)	FEMALE RETURN LOSS (dB)
1	0.07	18.73	18.74
10	0.02	39.66	39.85
50	0.03	46.56	47.48
100	0.04	40.04	40.53
150	0.07	36.79	37.46
200	0.06	34.71	35.58
250	0.06	33.62	34.65
300	0.09	32.68	33.84
350	0.09	31.70	33.20
400	0.10	30.87	32.73
450	0.12	30.25	32.17
500	0.12	29.76	31.77
550	0.13	29.49	31.29
600	0.13	29.11	31.19
650	0.14	28.90	31.11
700	0.15	28.67	31.01
750	0.15	28.58	30.94
800	0.15	28.43	30.85
850	0.17	28.37	30.72
900	0.15	28.29	30.72
950	0.16	28.18	30.40
1000	0.17	28.12	30.21
1100	0.19	27.80	29.56
1200	0.18	27.32	28.71
1300	0.19	26.68	27.70
1400	0.19	25.85	26.69
1500	0.20	24.97	25.75
1600	0.21	24.12	24.84
1700	0.22	23.28	23.97
1800	0.23	22.51	23.09
1900	0.26	21.89	22.36
2000	0.25	21.33	21.73
2100	0.25	20.86	21.13
2200	0.27	20.50	20.60
2300	0.27	20.19	20.15
2400	0.28	19.93	19.80
2500	0.28	19.72	19.54
2600	0.31	19.59	19.32
2700	0.32	19.53	19.20
2800	0.32	19.51	19.09
2900	0.33	19.50	19.12
3000	0.34	19.57	19.19

**Notes**

- A. Performance and quality attributes and conditions not expressly stated in this specification document are intended to be excluded and do not form a part of this specification document.
- B. Electrical specifications and performance data contained in this specification document are based on Mini-Circuit's applicable established test performance criteria and measurement instructions.
- C. The parts covered by this specification document are subject to Mini-Circuits standard limited warranty and terms and conditions (collectively, "Standard Terms"); Purchasers of this part are entitled to the rights and benefits contained therein. For a full statement of the Standard Terms and the exclusive rights and remedies thereunder, please visit Mini-Circuits' website at [www.minicircuits.com/MCLStore/terms.jsp](http://www.minicircuits.com/MCLStore/terms.jsp)



## Typical Performance Curves



#### Notes

- A. Performance and quality attributes and conditions not expressly stated in this specification document are intended to be excluded and do not form a part of this specification document.
- B. Electrical specifications and performance data contained in this specification document are based on Mini-Circuit's applicable established test performance criteria and measurement instructions.
- C. The parts covered by this specification document are subject to Mini-Circuit's standard limited warranty and terms and conditions (collectively, "Standard Terms"); Purchasers of this part are entitled to the rights and benefits contained therein. For a full statement of the Standard Terms and the exclusive rights and remedies thereunder, please visit Mini-Circuit's website at [www.minicircuits.com/MCLStore/terms.jsp](http://www.minicircuits.com/MCLStore/terms.jsp)

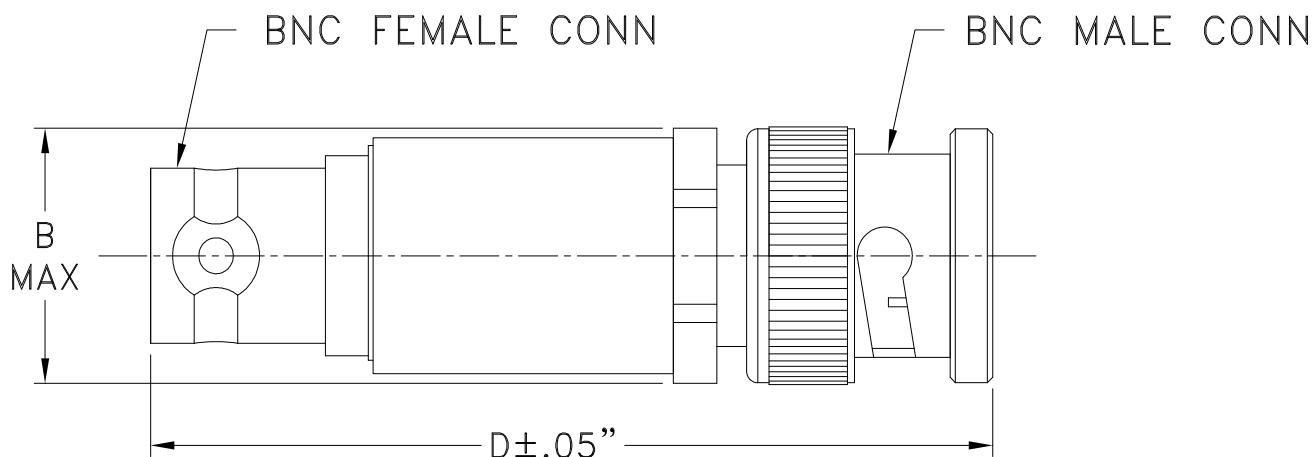


# Case Style

# FF

## Outline Dimensions

### FF747



CASE #.	A	B	C	D	E	WT GRAMS
FF747	--	.62 (15.75)	--	1.94 (49.28)	--	30.0

Dimensions are in inches (mm). Tolerances: 2Pl. ± .04; 3Pl. ± .030

### Notes:

1. Case material: Brass.
2. Case finish: Nickel plate.

**Mini-Circuits®**  
ISO 9001 ISO 14001 CERTIFIED

ALL NEW  
minicircuits.com

P.O. Box 350166, Brooklyn, New York 11235-0003 (718) 934-4500 Fax (718) 332-4661 For detailed performance specs & shopping online see Mini-Circuits web site



The Design Engineers Search Engine Provides ACTUAL Data Instantly From MINI-CIRCUITS At: [www.minicircuits.com](http://www.minicircuits.com)

RF/IF MICROWAVE COMPONENTS



All Mini-Circuits products are manufactured under exacting quality assurance and control standards, and are capable of meeting published specifications after being subjected to any or all of the following physical and environmental test.

<b>Specification</b>	<b>Test/Inspection Condition</b>	<b>Reference/Spec</b>
Operating Temperature	-55° to 100°C Ambient Environment	Individual Model Data Sheet
Storage Temperature	-55° to 100° C Ambient Environment	Individual Model Data Sheet
Barometric Pressure	100,000 Feet	MIL-STD-202, Method 105, Condition D
Humidity	90% RH, 65°C Units may require bake-out after humidity to restore full performance.	MIL-STD-202, Method 103
Thermal Shock	-65° to 125°C, 5 cycles	MIL-STD-202, Method 107, Condition B
Vibration (High Frequency)	20g peak, 10-2000 Hz, 12 times in each of three perpendicular directions (total 36)	MIL-STD-202, Method 204, Condition D
Mechanical Shock	100g, 6ms sawtooth, 3 shocks each direction 3 axes (total 18)	MIL-STD-202, Method 213, Condition I