

# Surface Mount Digital Step Attenuator

## DAT-31A+ Series

50Ω 0 to 31 dB, 1.0 dB Step DC to 4.0 GHz

### The Big Deal

- Wideband, operates up to 4 GHz
- Immune to latchup
- High IP3, 52 dBm



CASE STYLE: DG983-2

### Product Overview

The DAT-31A+ series of 50Ω digital step attenuators provides adjustable attenuation from 0 to 31 dB in 1.0 dB steps. The control is a 5-bit serial/parallel interface, and the attenuators operate with either single positive or dual (positive and negative) supply voltage. DAT-31A+ series models are produced by a unique CMOS process on silicon, offering the performance of GaAs with the advantages of conventional CMOS devices.

### Key Features

Feature	Advantages
Wideband operation, specified from DC to 4.0 GHz	Can be used in multiple applications such as communications, satellite and defense, reducing part count.
Serial or parallel interface	Models available with serial or parallel interface mode to suit customer demand.
Good VSWR, 1.2:1 typ.	Eases interfacing with adjacent components and results in low amplitude ripple.
Single positive supply models: (Model suffixes: -SP+ and -PP+) +2.3 to +3.6V+	Use of single positive supply simplifies power supply design. An internal negative voltage generator supplies the desired negative voltage. Single positive supply results in excellent spurious performance, -140 dBm typical.
Dual supply models: (Model suffixes: -SN+ and -PN+) +2.7 to +3.6V (Positive) and -3.6 to -3.2V (Negative)	Dual supply provides spurious-free operation. It also allows fast switching up to 1 MHz (vs. 25 kHz for single supply).
Useable over a wide range of supply voltages, +2.3/2.7 to 5.2V	Wide range of positive operating voltages allows the DAT-31A+ Series of models to be used in a wide range of applications. See Application Note AN-70-006 for operation above +3.6V
Footprint compatible to DAT-31-XX+ Series (XX=SN/SP/PN/PP)	Can fit into existing footprint and provide wideband performance, to 4 GHz instead of 2.4 GHz.
Safe attenuation transitions	The DAT-31A-XX+ series is designed to prevent any momentary positive 'spikes' in power during attenuation transitions



# Digital Step Attenuator

50Ω DC-4000 MHz

31 dB, 1.0 dB Step

5 Bit, Parallel Control Interface, Single Supply Voltage

## Product Features

- Immune to latch up
- Excellent accuracy, 0.1 dB Typ
- Low Insertion Loss
- High IP3, +52 dBm Typ
- Very low DC power consumption
- Excellent return loss, 20 dB Typ
- Small size 4.0 x 4.0 mm



*Generic photo used for illustration purposes only*

## DAT-31A-PP+

CASE STYLE: DG983-2

## Typical Applications

- Base Station Infrastructure
- Portable Wireless
- CATV & DBS
- MMDS & Wireless LAN
- Wireless Local Loop
- UNII & Hiper LAN
- Power amplifier distortion canceling loops

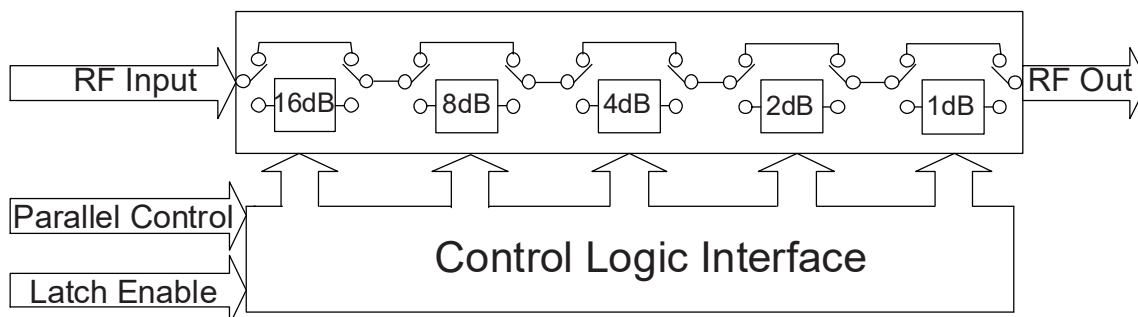
### +RoHS Compliant

*The +Suffix identifies RoHS Compliance. See our web site for RoHS Compliance methodologies and qualifications*

## General Description

The DAT-31A-PP+ is a 50Ω RF digital step attenuator that offers an attenuation range up to 31 dB in 1.0 dB steps. The control is a 5-bit parallel interface, operating on single (positive) supply voltage. The DAT-31A-PP+ is produced using a unique CMOS process on silicon, offering the performance of GaAs, with the advantages of conventional CMOS devices.

## Simplified Schematic



## RF Electrical Specifications<sup>(Note 1)</sup>, DC-4000 MHz, $T_{AMB}=25^{\circ}\text{C}$ , $V_{DD}=+3\text{V}$

Parameter	Freq. Range (GHz)	Min.	Typ.	Max.	Units
Accuracy @ 1 dB Attenuation Setting	DC-1	—	0.02	0.1	dB
	1-2.4	—	0.05	0.15	
	2.4-4	—	0.1	0.25	
Accuracy @ 2 dB Attenuation Setting	DC-1	—	0.05	0.15	dB
	1-2.4	—	0.15	0.25	
	2.4-4	—	0.15	0.35	
Accuracy @ 4 dB Attenuation Setting	DC-1	—	0.07	0.2	dB
	1-2.4	—	0.15	0.25	
	2.4-4	—	0.23	0.5	
Accuracy @ 8 dB Attenuation Setting	DC-1	—	0.03	0.2	dB
	1-2.4	—	0.15	0.5	
	2.4-4	—	0.6	0.8	
Accuracy @ 16 dB Attenuation Setting	DC-1	—	0.1	0.3	dB
	1-2.4	—	0.15	0.7	
	2.4-4	—	1.1	1.45	
Insertion Loss <sup>(note 2)</sup> @ all attenuator set to 0dB	DC-1	—	1.3	1.9	dB
	1-2.4	—	1.6	2.4	
	2.4-4	—	2.1	3.0	
Input IP3 <sup>(note 3)</sup> (at Min. and Max. Attenuation)	DC-4	—	+52	—	dBm
Input Power @ 0.2dB Compression <sup>(Note 3)</sup> (at Min. and Max. Attenuation)	DC-4	—	+24	—	dBm
Input Operating Power	10 kHz to 50 MHz	—	—	See Fig. 1	dBm
	>50 MHz	—	—	+24	
VSWR	DC-1	—	1.2	1.5	:1
	1-2.4	—	1.2	1.6	
	2.4-4	—	1.4	1.9	

Notes:

1. Tested on Evaluation Board TB-339, See Figure 3.
2. Insertion loss values are de-embedded from test board Loss (test board's Insertion Loss: 0.10dB @ 100MHz, 0.35dB @ 1000MHz, 0.60dB @ 2400MHz, 0.75dB @ 4000MHz).
3. Input IP3 and 1dB compression degrades below 1 MHz. Input power not to exceed max operating specification for continuous operation.

## DC Electrical Specifications

Parameter	Min.	Typ.	Max.	Units
$V_{DD}$ , Supply Voltage	2.3	3	3.6 <sup>(Note 4)</sup>	V
$I_{DD}$ Supply Current	—	—	200	$\mu\text{A}$
Control Input Low	-0.3	—	+0.6	V
Control Input High	1.17	—	3.6	V
Control Current	—	—	20 <sup>(Note 5)</sup>	$\mu\text{A}$

4. For operation above +3.6V, see Application Note AN-70-006
5. Except, 30 $\mu\text{A}$  typ for C16, PUP1 at +3.6V

## Absolute Maximum Ratings<sup>(Note 6,7)</sup>

Parameter	Ratings
Operating Temperature	-40°C to 105°C
Storage Temperature	-65°C to 150°C
$V_{DD}$	-0.3V Min., 5.5V Max.
Voltage on any control input	-0.3V Min., 3.6V Max.
Input Power	+30dBm
Thermal Resistance	37°C/W

6. Permanent damage may occur if any of these limits are exceeded.
7. Operation between max operating and absolute max input power will result in reduced reliability.

## Switching Specifications

Parameter	Min.	Typ.	Max.	Units
Switching Speed, 50% Control to 0.5dB of Attenuation Value	—	1.0	—	$\mu\text{Sec}$
Switching Control Frequency	—	—	25	kHz

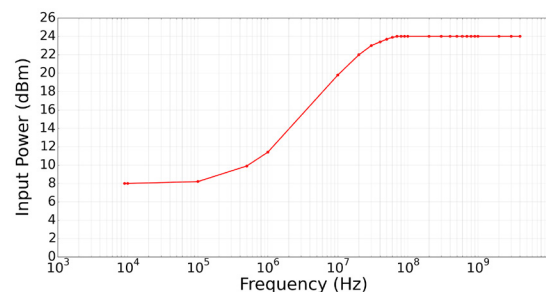


Figure 1. Max Input Operating Power vs Frequency

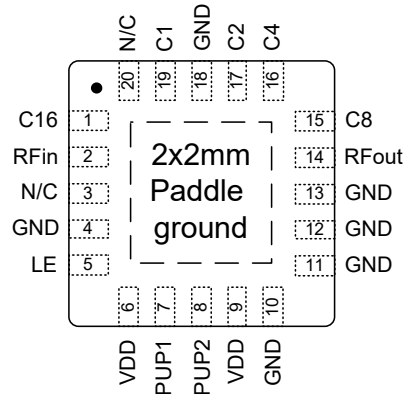
## Pin Description

Function	Pin Number	Description
C16	1	Control for Attenuation bit, 16dB (Note 3, 7)
RF in	2	RF in port (Note 1)
N/C	3	Not connected (Note 4)
GND	4	Ground connection
LE	5	Latch Enable Input (Note 2)
V <sub>DD</sub>	6	Positive Supply Voltage
PUP1	7	Power-up selection (Note 7)
PUP2	8	Power-up selection
V <sub>DD</sub>	9	Positive Supply Voltage
GND	10	Ground connection
GND	11	Ground connection
GND	12	Ground connection (Note 6)
GND	13	Ground connection
RF out	14	RF out port (Note 1)
C8	15	Control for attenuation bit, 8 dB
C4	16	Control for attenuation bit, 4 dB
C2	17	Control for attenuation bit, 2 dB
GND	18	Ground Connection
C1	19	Control for attenuation bit, 1 dB
N/C	20	Not Connected (Note 4)
GND	Paddle	Paddle ground (Note 5)

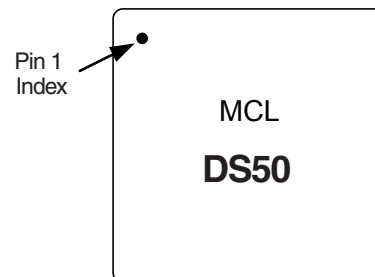
### Notes:

- Both RF ports must be held at 0VDC or DC blocked with an external series capacitor.
- Latch Enable (LE) has an internal 2M $\Omega$  to internal positive supply voltage.
- Place a 10K $\Omega$  resistor in series, as close to pin as possible to avoid freq. resonance.
- Place a shunt 10K $\Omega$  resistor to GND
- The exposed solder pad on the bottom of the package (See Pin configuration) must be grounded for proper device operation.
- Ground must be less than 80 mil (0.08") from Pin 12 for proper device operation.
- This pin has an internal 200 k $\Omega$  resistor to ground.

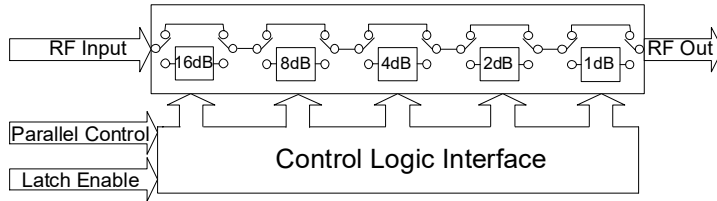
## Pin Configuration (Top View)



## Device Marking



## Simplified Schematic



The DAT-31A-PP+ parallel interface consists of 5 control bits that select the desired attenuation state, as shown in Table 1: Truth Table

Table 1. Truth Table					
Attenuation State	C16	C8	C4	C2	C1
Reference	0	0	0	0	0
1 (dB)	0	0	0	0	1
2 (dB)	0	0	0	1	0
4 (dB)	0	0	1	0	0
8 (dB)	0	1	0	0	0
16 (dB)	1	0	0	0	0
31 (dB)	1	1	1	1	1

Note: Not all 32 possible combinations of C1 - C16 are shown in table

The parallel interface timing requirements are defined by Figure 2 (Parallel Interface Timing Diagram) and Table 2 (Parallel Interface AC Characteristics), and switching speed.

For latched parallel programming the Latch Enable (LE) should be held LOW while changing attenuation state control values, then pulse LE HIGH to LOW (per Figure 1) to latch new attenuation state into device.

For direct parallel programming, the Latch Enable (LE) line should be pulled HIGH. Changing attenuation state control values will change device state to new attenuation. Direct mode is ideal for manual control of the device (using hardware, switches, or jumpers).

Figure 2: Parallel Interface Timing Diagram

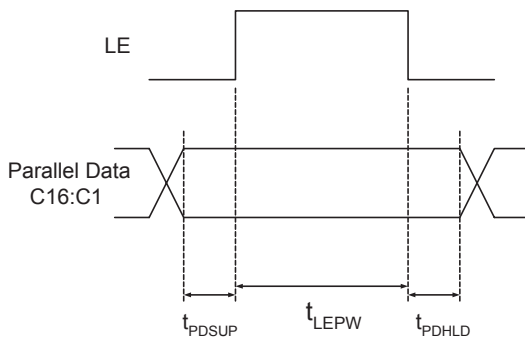


Table 2. Parallel Interface AC Characteristics				
Symbol	Parameter	Min.	Max.	Units
$t_{LEPW}$	LE minimum pulse width	10		ns
$t_{PDSUP}$	Data set-up time before clock rising edge of LE	10		ns
$t_{PDHL}$	Data hold time after clock falling edge of LE	10		ns

Pin 20 must always be low to prevent the attenuator from entering an unknown state.

## Power-up Control Settings

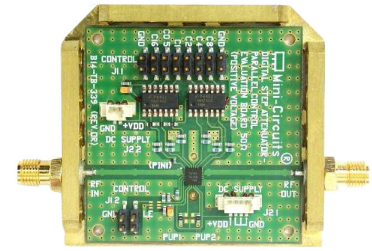
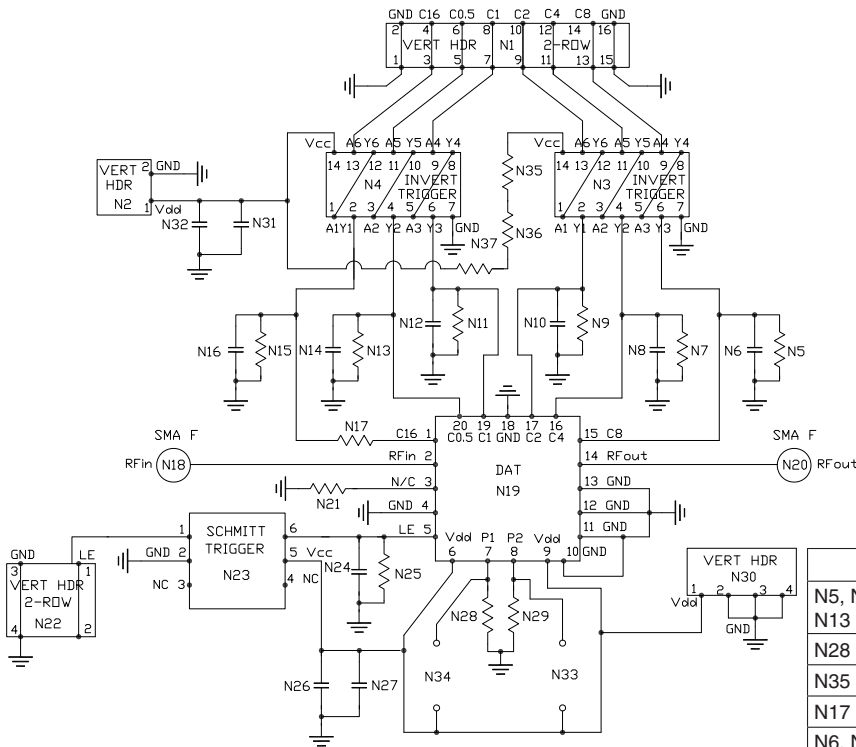
The DAT-31A-PP+ always assumes a specifiable attenuation setting on power-up, allowing a known attenuation state to be established before an initial parallel control word is provided.

When the attenuator powers up with LE=0, the control bits are automatically set to one of four possible values. These four values are selected by the two power-up control bits, PUP1 and PUP2, as shown in Table 3: (Power-Up Truth Table, Parallel Mode).

<b>Table 3. Power-Up Truth Table, Parallel Mode</b>			
<b>Attenuation State</b>	<b>PUP1</b>	<b>PUP2</b>	<b>LE</b>
Reference	0	0	0
8 (dB)	0	1	0
16 (dB)	1	0	0
31.5 (dB)	1	1	0
Defined by C1-C16 (See Table 1-Truth Table)	X (Note 1)	X (Note 1)	1

Note 1: PUP1 and PUP2 Connection may be 0, 1, GROUND, or not connect, without effect on attenuation state.

Power-Up with LE=1 provides normal parallel operation with C1-C16, and PUP1 and PUP2 are not active.



**TB-339**

Bill of Materials	
N5, N7, N9, N11, N13, N15, N21 & N25	Resistor 0603 10 KOhm ± 1%
N28 & N29	Resistor 0603 475 Ohm ± 1%
N35 - N37	Resistor 0603 0 Ohm
N17	Resistor 0402 10 KOhm ± 1%
N6, N8, N10, N12, N14, N16, N24, N26 & N32	NPO Capacitor 0603 100pF ± 5%
N27 & N31	Tantalum Capacitor 0805 100nF ± 10%
N3 & N4	Hex Invert Trigger MSL1
N23	Dual Schmitt Trigger Buffer SC-70 MSL1

**Notes**

- Both RF ports must be held at 0VDC or DC blocked with an external series capacitor.
- Test Board TB-339 is designed for operation for VDD=2.3 to 3.6V. For operation over 3.6V to 5.2V, See Application Note AN-70-006
- VDD=Vdd

**Fig 3. Evaluation Board Schematic, TB-339, used for characterization (DUT not soldered on TB-339)**

**Test Equipment**

- For Insertion Loss, Isolation and Return Loss:** Agilent's E5071C Network Analyzer & E3631A Power Supply.
- For Compression:** Agilent's N9020A Signal Analyzer, E8247C RF Generator, E3631A Power Supply & U2004A Power Sensor.
- For Input IP3:** Agilent's N9020A Signal Analyzer, N5181A Signal Generators, E3631A Power Supply, U2004A Power Sensor.
- For Spurs:** Agilent N5181A Signal Generator, E4440A Spectrum Analyzer.
- For Switching Time:** Agilent's N5181A Signal Generator, 81110A Pulse Generator, 54832B Oscilloscope, E3631A Power Supply.
- For Max Control Frequency:** Agilent's N5181A Signal Generator, N9020A Signal Analyzer, E3631A Power Supply, 81110A Pulse Generator.

**Measurement Conditions**

- For Insertion Loss, Isolation and Return Loss:** VDD=+2.3/+3/+5.5V & Pin=0dBm
- For Compression:** Pin=0/+24dBm. VDD=+3V
- For Input IP3:** Pin=+10dBm/tone. Tone spacing: 0.1 MHz to 1 MHz RF Freq and 1 MHz to 4200 MHz RF Freq, VDD=+3V
- For Spurs:** RF IN at 1000MHz and -20dBm. VDD=+3V
- For Switching Time:** RF Freq=501MHz/0dBm, Pulse for LE=1Hz/0/+3.4V, Delay=500ms, Width=500ms. VDD=+3V
- For Max Control Frequency:** RF Freq=501MHz, 0dBm. VDD=+3V

Additional Detailed Technical Information	
<i>additional information is available on our dash board. To access this information <a href="#">click here</a></i>	
<b>Performance Data</b>	Data Table
	Swept Graphs
	S-Parameter (S2P Files) Data Set (.zip file)
<b>Case Style</b>	DG983-2 <i>Plastic package, exposed paddle, lead finish: NiPdAu</i>
<b>Tape &amp; Reel</b> Standard quantities available on reel	F87 <i>7" reels with 20, 50, 100 or 200 devices</i> <i>13" reels with 3K devices</i>
<b>Suggested Layout for PCB Design</b>	PL-189
<b>Evaluation Board</b>	TB-339
<b>Environmental Ratings</b>	ENV33T1

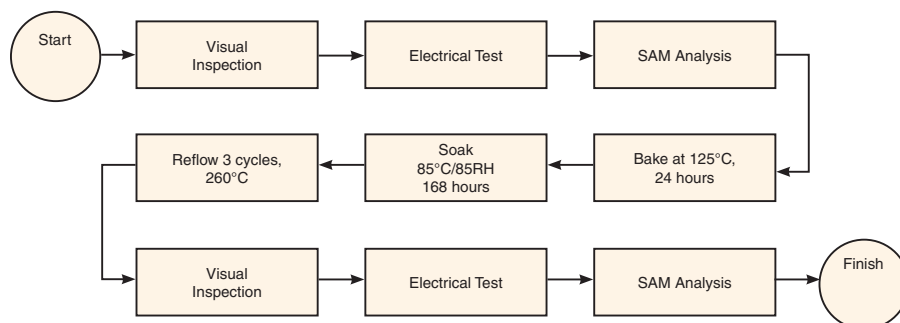
## ESD Rating

Human Body Model (HBM): Class 1C (1000 to <2000V) in accordance with MIL-STD-883 method 3015

## MSL Rating

Moisture Sensitivity: MSL1 in accordance with IPC/JEDEC J-STD-020D

## MSL Test Flow Chart



## Additional Notes

- Performance and quality attributes and conditions not expressly stated in this specification document are intended to be excluded and do not form a part of this specification document.
- Electrical specifications and performance data contained in this specification document are based on Mini-Circuit's applicable established test performance criteria and measurement instructions.
- The parts covered by this specification document are subject to Mini-Circuits standard limited warranty and terms and conditions (collectively, "Standard Terms"); Purchasers of this part are entitled to the rights and benefits contained therein. For a full statement of the Standard Terms and the exclusive rights and remedies thereunder, please visit Mini-Circuits' website at [www.minicircuits.com/MCLStore/terms.jsp](http://www.minicircuits.com/MCLStore/terms.jsp)



# Digital Step Attenuator

# DAT-31A-PP+

## Typical Performance Data

TEST CONDITIONS: INPUT POWER=0 dBm, Vdd=+3V, TEMPERATURE=-40°C

FREQUENCY (MHz)	STEP ATTENUATION* AT TTL CONTROL STATE (dB)					
	000000 THRU LOSS	000010 1.0 dB	000100 2.0 dB	001000 4.0 dB	010000 8.0 dB	100000 16 dB
0.1	1.02	1.05	2.06	4.08	8.09	16.01
0.3	1.01	1.05	2.06	4.09	8.10	16.02
0.5	1.01	1.05	2.06	4.09	8.10	16.02
1	1.01	1.05	2.06	4.09	8.09	16.01
5	1.04	1.04	2.05	4.08	8.08	16.00
10	1.04	1.04	2.05	4.08	8.08	16.00
50	1.06	1.04	2.05	4.08	8.07	16.00
100	1.06	1.04	2.05	4.07	8.07	15.99
200	1.07	1.04	2.05	4.07	8.07	15.99
300	1.07	1.04	2.05	4.08	8.08	16.01
400	1.07	1.04	2.05	4.08	8.08	16.01
500	1.08	1.04	2.05	4.08	8.09	16.02
600	1.10	1.04	2.05	4.08	8.08	16.01
700	1.12	1.04	2.05	4.07	8.08	16.00
800	1.15	1.04	2.05	4.07	8.08	15.99
900	1.18	1.04	2.05	4.07	8.08	15.99
1000	1.20	1.04	2.05	4.07	8.09	16.00
1100	1.21	1.04	2.05	4.07	8.09	16.01
1200	1.23	1.04	2.05	4.07	8.10	16.04
1300	1.25	1.04	2.05	4.07	8.11	16.04
1400	1.27	1.04	2.05	4.07	8.12	16.08
1500	1.30	1.04	2.05	4.08	8.13	16.10
1600	1.32	1.04	2.05	4.08	8.14	16.12
1700	1.35	1.05	2.06	4.09	8.16	16.15
1800	1.36	1.05	2.06	4.09	8.18	16.17
1900	1.37	1.06	2.07	4.11	8.21	16.22
2000	1.38	1.06	2.08	4.13	8.24	16.27
2100	1.40	1.07	2.09	4.15	8.29	16.34
2200	1.42	1.08	2.11	4.17	8.33	16.40
2300	1.44	1.08	2.12	4.19	8.38	16.47
2400	1.45	1.09	2.14	4.22	8.43	16.55
2500	1.46	1.10	2.15	4.24	8.49	16.63
2600	1.48	1.11	2.16	4.26	8.54	16.70
2700	1.50	1.11	2.17	4.28	8.59	16.77
2800	1.52	1.11	2.17	4.28	8.62	16.81
2900	1.53	1.11	2.17	4.28	8.64	16.87
3000	1.53	1.10	2.15	4.26	8.65	16.89
3200	1.52	1.08	2.12	4.22	8.64	16.92
3400	1.55	1.05	2.09	4.17	8.60	16.87
3600	1.62	1.04	2.06	4.13	8.58	16.86
3800	1.70	1.03	2.05	4.12	8.61	16.93
4000	1.76	1.03	2.05	4.11	8.62	16.92
4200	1.77	1.03	2.06	4.13	8.67	17.02
4400	1.84	1.04	2.08	4.16	8.78	17.28
4600	1.89	1.06	2.11	4.22	8.94	17.69
4800	1.94	1.09	2.15	4.29	9.13	18.04
5000	1.97	1.07	2.19	4.36	9.33	18.42

\* Step Attenuation above Thru Loss (TTL Logic 00000).



REV. B  
DAT-31A-PP+  
6/13/2016

P.O. Box 350166, Brooklyn, New York 11235-0003 (718) 934-4500 • Fax (718) 332-4661 For detailed performance specs & shopping online see Mini-Circuits web site  
The Design Engineers Search Engine Provides ACTUAL Data Instantly From MINI-CIRCUITS At: [www.minicircuits.com](http://www.minicircuits.com)



IF/RF MICROWAVE COMPONENTS

# Digital Step Attenuator

# DAT-31A-PP+

## Typical Performance Data

TEST CONDITIONS: INPUT POWER=0 dBm, Vdd=+3V, TEMPERATURE=-40°C

FREQUENCY (MHz)	INPUT RETURN LOSS AT TTL CONTROL STATE (dB)					
	000000 0 dB	000010 1.0 dB	000100 2.0 dB	001000 4.0 dB	010000 8.0 dB	100000 16 dB
0.1	19.00	22.53	20.82	22.40	27.13	35.92
0.3	19.19	22.75	21.04	22.65	27.42	35.75
0.5	19.22	22.80	21.06	22.69	27.58	35.46
1	19.31	22.91	21.13	22.72	27.53	35.46
5	19.24	22.83	21.06	22.63	27.38	35.60
10	19.22	22.81	21.03	22.60	27.34	35.73
50	19.09	22.55	20.79	22.26	26.68	37.87
100	19.07	22.40	20.63	21.97	26.00	41.68
200	18.92	22.19	20.53	21.90	26.00	39.47
300	19.36	22.86	21.13	22.69	27.45	35.14
400	19.54	23.21	21.40	23.04	28.12	34.37
500	18.96	22.41	20.77	22.35	27.02	36.15
600	19.07	22.42	20.71	22.16	26.54	38.52
700	19.21	22.50	20.75	22.13	26.44	39.50
800	19.11	22.24	20.52	21.81	25.90	42.91
900	18.91	21.84	20.25	21.53	25.56	47.22
1000	18.65	21.41	19.98	21.28	25.36	44.98
1100	18.40	20.99	19.69	20.98	25.05	42.45
1200	18.21	20.59	19.42	20.68	24.63	38.94
1300	17.90	20.03	19.08	20.34	24.26	34.47
1400	17.95	19.94	19.16	20.50	24.66	32.17
1500	17.71	19.54	18.94	20.35	24.63	31.04
1600	17.31	18.94	18.55	19.98	24.17	29.13
1700	16.82	18.28	18.11	19.58	23.70	27.36
1800	16.33	17.64	17.69	19.23	23.23	25.46
1900	16.08	17.31	17.55	19.18	23.10	23.76
2000	16.13	17.32	17.68	19.37	23.13	22.52
2100	16.23	17.37	17.82	19.53	22.98	21.48
2200	16.48	17.60	18.15	19.91	23.00	20.63
2300	16.84	17.99	18.60	20.40	23.00	19.88
2400	17.36	18.49	19.18	20.90	22.55	18.93
2500	18.35	19.43	20.18	21.67	21.96	17.98
2600	19.85	20.95	21.79	22.94	21.59	17.27
2700	21.99	23.32	24.28	24.74	21.28	16.73
2800	24.39	27.01	28.22	26.97	20.96	16.31
2900	26.82	33.19	35.61	28.31	20.39	15.88
3000	26.78	40.37	46.78	28.58	20.07	15.69
3200	23.02	28.51	28.46	26.57	19.72	15.61
3400	21.46	25.67	25.65	25.57	19.96	15.93
3600	22.18	26.15	26.04	26.02	20.45	16.34
3800	23.83	28.17	27.70	27.58	21.28	16.88
4000	33.02	32.64	40.99	31.83	22.03	17.21
4200	31.61	25.49	29.02	27.40	21.59	17.20
4400	22.12	19.79	21.43	21.03	18.64	15.73
4600	18.52	16.95	18.09	17.76	16.23	14.16
4800	17.44	15.76	16.69	16.15	14.54	12.79
5000	16.78	15.06	15.64	14.72	12.97	11.44



REV. B  
DAT-31A-PP+  
6/13/2016  
2 of 9

P.O. Box 350166, Brooklyn, New York 11235-0003 (718) 934-4500 • Fax (718) 332-4661 For detailed performance specs & shopping online see Mini-Circuits web site  
The Design Engineers Search Engine Provides ACTUAL Data Instantly From MINI-CIRCUITS At: www.minicircuits.com

# Digital Step Attenuator

# DAT-31A-PP+

## Typical Performance Data

TEST CONDITIONS: INPUT POWER=0 dBm, Vdd=+3V, TEMPERATURE=-40°C

FREQUENCY (MHz)	OUTPUT RETURN LOSS AT TTL CONTROL STATE (dB)					
	000000	000010	000100	001000	010000	100000
	0 dB	1.0 dB	2.0 dB	4.0 dB	8.0 dB	16 dB
0.1	18.65	19.78	25.66	31.47	44.42	37.54
0.3	18.85	20.00	25.89	31.83	45.30	38.09
0.5	18.93	20.06	26.02	32.06	47.05	38.91
1	19.02	20.14	26.15	32.22	47.07	38.70
5	19.06	20.18	26.24	32.23	46.66	38.27
10	19.06	20.17	26.20	32.18	45.98	37.99
50	18.97	20.04	25.84	31.35	41.70	36.01
100	18.83	19.83	25.33	30.17	38.05	33.72
200	18.71	19.71	25.02	29.49	36.44	33.52
300	18.56	19.64	24.97	29.67	37.49	35.16
400	18.86	19.95	25.57	30.52	38.99	36.79
500	19.36	20.44	26.44	31.84	43.40	38.35
600	19.28	20.25	25.89	30.60	39.34	34.82
700	19.10	19.97	25.18	29.05	35.52	33.07
800	19.14	19.90	24.82	28.06	33.45	31.78
900	18.95	19.63	24.11	26.77	31.38	30.86
1000	18.95	19.60	23.85	26.28	30.89	31.25
1100	18.79	19.42	23.50	25.88	30.67	31.33
1200	18.57	19.16	22.92	25.07	29.73	31.03
1300	18.25	18.87	22.32	24.40	29.15	31.36
1400	17.70	18.36	21.54	23.57	28.29	31.32
1500	17.34	18.00	20.97	22.89	27.48	31.26
1600	16.89	17.57	20.25	22.06	26.51	30.96
1700	16.39	17.09	19.49	21.17	25.35	30.24
1800	15.90	16.65	18.80	20.38	24.31	29.43
1900	15.63	16.44	18.42	19.91	23.61	28.52
2000	15.63	16.50	18.43	19.87	23.40	27.86
2100	15.62	16.55	18.48	19.85	23.15	26.86
2200	15.77	16.74	18.60	19.81	22.67	25.44
2300	16.19	17.21	18.99	19.96	22.22	23.97
2400	16.71	17.83	19.55	20.24	21.77	22.59
2500	17.42	18.70	20.52	20.85	21.53	21.50
2600	18.48	20.00	22.08	21.79	21.37	20.61
2700	19.50	21.40	24.09	22.84	21.18	19.85
2800	20.88	23.43	27.35	24.02	20.81	19.05
2900	21.49	24.81	32.93	25.45	20.64	18.49
3000	21.24	24.71	44.05	26.76	20.56	18.15
3200	19.73	22.41	30.45	27.55	20.66	17.97
3400	18.48	20.50	25.88	26.81	20.76	17.90
3600	17.95	19.61	24.95	27.75	21.84	18.58
3800	17.80	19.22	25.01	29.80	23.90	19.90
4000	18.51	19.64	26.34	32.89	29.07	22.47
4200	19.40	20.32	26.57	29.49	33.21	24.01
4400	20.61	21.28	24.98	24.75	26.48	22.38
4600	23.70	23.97	23.77	22.06	21.45	18.95
4800	27.75	26.78	21.93	19.81	18.12	16.07
5000	32.07	27.57	20.31	18.22	15.83	13.93



REV. B  
 DAT-31A-PP+  
 6/13/2016  
 3 of 9

P.O. Box 350166, Brooklyn, New York 11235-0003 (718) 934-4500 • Fax (718) 332-4661 For detailed performance specs & shopping online see Mini-Circuits web site  
 The Design Engineers Search Engine Provides ACTUAL Data Instantly From MINI-CIRCUITS At: www.minicircuits.com

# Digital Step Attenuator

# DAT-31A-PP+

## Typical Performance Data

TEST CONDITIONS: INPUT POWER=0 dBm, Vdd=+3V, TEMPERATURE=+25degC

FREQUENCY (MHz)	STEP ATTENUATION* AT TTL CONTROL STATE (dB)					
	000000 THRU LOSS	000010 1.0 dB	000100 2.0 dB	001000 4.0 dB	010000 8.0 dB	100000 16 dB
0.1	1.13	1.02	2.02	4.02	7.97	15.91
0.3	1.12	1.02	2.02	4.03	7.98	15.92
0.5	1.12	1.02	2.02	4.03	7.98	15.92
1	1.12	1.02	2.02	4.02	7.97	15.91
5	1.15	1.02	2.01	4.02	7.97	15.90
10	1.15	1.02	2.01	4.02	7.97	15.91
50	1.16	1.02	2.01	4.02	7.97	15.91
100	1.16	1.02	2.01	4.02	7.97	15.91
200	1.16	1.02	2.01	4.02	7.97	15.91
300	1.17	1.02	2.01	4.02	7.97	15.91
400	1.18	1.02	2.01	4.01	7.97	15.91
500	1.19	1.02	2.01	4.01	7.97	15.91
600	1.21	1.01	2.01	4.01	7.97	15.91
700	1.22	1.01	2.01	4.01	7.97	15.91
800	1.24	1.01	2.01	4.01	7.97	15.91
900	1.26	1.01	2.01	4.01	7.97	15.91
1000	1.29	1.01	2.00	4.01	7.97	15.91
1100	1.31	1.01	2.00	4.00	7.98	15.92
1200	1.34	1.01	2.00	4.00	7.98	15.93
1300	1.36	1.01	2.00	4.00	7.99	15.94
1400	1.38	1.01	2.00	4.00	7.99	15.96
1500	1.41	1.01	2.00	4.00	8.00	15.97
1600	1.43	1.02	2.01	4.00	8.01	15.99
1700	1.46	1.02	2.01	4.01	8.02	16.02
1800	1.48	1.02	2.02	4.01	8.04	16.05
1900	1.50	1.03	2.02	4.03	8.06	16.09
2000	1.51	1.03	2.03	4.04	8.09	16.14
2100	1.53	1.04	2.04	4.06	8.13	16.20
2200	1.55	1.05	2.06	4.08	8.18	16.27
2300	1.56	1.05	2.07	4.10	8.23	16.35
2400	1.57	1.06	2.09	4.12	8.28	16.43
2500	1.58	1.07	2.10	4.14	8.33	16.51
2600	1.60	1.07	2.11	4.16	8.38	16.58
2700	1.62	1.07	2.11	4.17	8.43	16.66
2800	1.64	1.07	2.11	4.17	8.45	16.71
2900	1.65	1.06	2.10	4.16	8.47	16.75
3000	1.66	1.06	2.09	4.15	8.49	16.79
3200	1.64	1.04	2.06	4.11	8.49	16.85
3400	1.68	1.02	2.03	4.07	8.47	16.84
3600	1.75	1.01	2.01	4.04	8.47	16.86
3800	1.83	1.00	2.01	4.04	8.49	16.89
4000	1.88	1.00	2.02	4.05	8.52	16.95
4200	1.91	1.01	2.03	4.06	8.58	17.08
4400	1.99	1.02	2.05	4.10	8.68	17.35
4600	2.03	1.04	2.09	4.15	8.83	17.71
4800	2.07	1.06	2.12	4.21	9.03	18.14
5000	2.13	1.05	2.17	4.30	9.28	18.64

\* Step Attenuation above Thru Loss (TTL Logic 00000).



REV. B  
DAT-31A-PP+  
6/13/2016  
4 of 9

P.O. Box 350166, Brooklyn, New York 11235-0003 (718) 934-4500 • Fax (718) 332-4661 For detailed performance specs & shopping online see Mini-Circuits web site  
The Design Engineers Search Engine Provides ACTUAL Data Instantly From MINI-CIRCUITS At: [www.minicircuits.com](http://www.minicircuits.com)



IF/RF MICROWAVE COMPONENTS

# Digital Step Attenuator

# DAT-31A-PP+

## Typical Performance Data

TEST CONDITIONS: INPUT POWER=0 dBm, Vdd=+3V, TEMPERATURE=+25degC

FREQUENCY (MHz)	INPUT RETURN LOSS AT TTL CONTROL STATE (dB)					
	000000	000010	000100	001000	010000	100000
	0 dB	1.0 dB	2.0 dB	4.0 dB	8.0 dB	16 dB
0.1	18.07	20.46	18.57	19.08	21.02	29.10
0.3	18.23	20.61	18.72	19.23	21.16	29.18
0.5	18.23	20.61	18.73	19.24	21.20	29.26
1	18.32	20.71	18.78	19.28	21.18	29.26
5	18.28	20.69	18.75	19.24	21.15	29.23
10	18.26	20.67	18.74	19.23	21.15	29.20
50	18.22	20.60	18.70	19.19	21.08	28.98
100	18.31	20.67	18.76	19.23	21.11	28.92
200	18.25	20.60	18.73	19.19	21.05	28.62
300	18.29	20.62	18.72	19.15	20.94	28.14
400	18.42	20.70	18.76	19.13	20.84	27.71
500	18.45	20.70	18.73	19.07	20.73	27.28
600	18.48	20.68	18.68	18.98	20.54	26.66
700	18.41	20.50	18.51	18.75	20.21	25.87
800	18.34	20.32	18.34	18.52	19.89	25.22
900	18.25	20.13	18.20	18.36	19.71	24.91
1000	18.14	19.91	18.07	18.22	19.58	24.67
1100	17.87	19.50	17.82	18.00	19.38	24.37
1200	17.61	19.07	17.59	17.79	19.21	24.11
1300	17.19	18.50	17.28	17.58	19.12	24.03
1400	16.77	17.95	17.02	17.45	19.16	24.18
1500	16.27	17.36	16.71	17.28	19.21	24.32
1600	15.79	16.80	16.42	17.15	19.31	24.50
1700	15.37	16.32	16.18	17.06	19.49	24.69
1800	15.04	15.94	16.00	17.05	19.77	24.86
1900	14.80	15.67	15.91	17.09	20.11	24.91
2000	14.69	15.53	15.91	17.23	20.52	24.72
2100	14.80	15.62	16.14	17.59	21.15	24.31
2200	15.17	15.98	16.62	18.20	22.05	23.83
2300	15.76	16.58	17.33	19.05	23.14	23.29
2400	16.50	17.33	18.17	20.02	24.15	22.52
2500	17.64	18.48	19.43	21.41	25.09	21.58
2600	19.24	20.15	21.29	23.44	25.71	20.56
2700	21.48	22.73	24.13	26.70	25.97	19.79
2800	23.77	26.25	27.83	31.67	25.71	19.28
2900	25.67	31.32	32.34	39.65	24.96	18.88
3000	26.36	43.12	35.44	37.95	23.73	18.34
3200	23.13	29.03	26.60	26.83	21.47	17.47
3400	20.97	25.12	23.27	23.91	20.87	17.58
3600	21.06	25.14	22.86	23.39	21.01	17.95
3800	23.19	28.99	24.49	25.08	22.94	19.38
4000	27.72	32.48	28.48	31.00	28.58	21.79
4200	24.50	23.22	25.48	28.42	30.76	22.55
4400	19.24	18.15	19.99	21.09	21.67	19.20
4600	16.66	15.70	17.13	17.63	17.58	16.10
4800	16.02	14.79	15.98	15.91	15.04	13.69
5000	16.03	14.57	15.41	14.84	13.46	12.12



REV. B  
 DAT-31A-PP+  
 6/13/2016  
 5 of 9

P.O. Box 350166, Brooklyn, New York 11235-0003 (718) 934-4500 • Fax (718) 332-4661 For detailed performance specs & shopping online see Mini-Circuits web site  
 The Design Engineers Search Engine Provides ACTUAL Data Instantly From MINI-CIRCUITS At: www.minicircuits.com



# Digital Step Attenuator

# DAT-31A-PP+

## Typical Performance Data

TEST CONDITIONS: INPUT POWER=0 dBm, Vdd=+3V, TEMPERATURE=+25degC

FREQUENCY (MHz)	OUTPUT RETURN LOSS AT TTL CONTROL STATE (dB)					
	000000 0 dB	000010 1.0 dB	000100 2.0 dB	001000 4.0 dB	010000 8.0 dB	100000 16 dB
0.1	17.79	18.23	22.11	24.27	25.94	23.68
0.3	17.94	18.38	22.25	24.40	26.01	23.80
0.5	18.01	18.44	22.33	24.48	26.11	23.89
1	18.10	18.51	22.41	24.53	26.11	23.83
5	18.14	18.55	22.47	24.58	26.12	23.83
10	18.15	18.56	22.47	24.56	26.09	23.80
50	18.09	18.51	22.40	24.46	26.00	23.75
100	18.04	18.45	22.27	24.29	25.79	23.61
200	18.08	18.48	22.25	24.23	25.67	23.51
300	18.17	18.54	22.29	24.19	25.53	23.37
400	18.34	18.67	22.38	24.16	25.36	23.19
500	18.36	18.65	22.30	23.95	25.05	22.91
600	18.49	18.71	22.30	23.78	24.73	22.61
700	18.62	18.75	22.24	23.52	24.31	22.25
800	18.70	18.74	22.08	23.16	23.85	21.85
900	18.51	18.51	21.64	22.59	23.27	21.44
1000	18.25	18.21	21.12	21.98	22.71	21.07
1100	17.95	17.90	20.59	21.40	22.25	20.80
1200	17.61	17.58	20.04	20.83	21.85	20.65
1300	17.12	17.15	19.39	20.23	21.50	20.62
1400	16.59	16.70	18.73	19.62	21.20	20.69
1500	16.05	16.24	18.09	19.05	20.91	20.87
1600	15.54	15.81	17.50	18.54	20.72	21.22
1700	15.09	15.45	17.02	18.12	20.61	21.71
1800	14.74	15.17	16.65	17.81	20.62	22.44
1900	14.51	15.01	16.39	17.59	20.70	23.34
2000	14.40	14.97	16.28	17.51	20.89	24.45
2100	14.44	15.07	16.34	17.59	21.21	25.78
2200	14.69	15.40	16.63	17.87	21.68	27.08
2300	15.21	15.98	17.20	18.39	22.31	28.02
2400	15.92	16.78	17.99	19.10	23.00	27.90
2500	16.87	17.84	19.12	20.12	23.78	26.82
2600	18.07	19.22	20.72	21.51	24.46	25.20
2700	19.48	20.92	23.03	23.44	25.01	23.68
2800	20.96	22.86	26.40	25.92	25.01	22.28
2900	21.77	24.08	31.40	29.02	24.68	21.17
3000	21.56	23.88	40.19	33.02	24.12	20.25
3200	19.37	20.97	28.86	32.60	23.13	19.20
3400	17.69	18.82	24.08	27.23	22.34	18.73
3600	17.02	17.87	22.48	25.20	22.60	19.19
3800	17.45	18.00	22.53	24.69	24.14	20.72
4000	18.23	18.47	22.43	23.78	27.27	24.11
4200	18.75	18.82	21.39	22.10	30.47	31.70
4400	19.35	19.40	20.34	20.63	27.36	29.27
4600	20.65	20.76	19.74	19.57	22.63	21.44
4800	23.29	23.15	19.79	19.03	19.38	17.40
5000	28.07	26.00	19.76	18.44	16.85	14.70



REV. B  
DAT-31A-PP+  
6/13/2016  
6 of 9

P.O. Box 350166, Brooklyn, New York 11235-0003 (718) 934-4500 • Fax (718) 332-4661 For detailed performance specs & shopping online see Mini-Circuits web site  
The Design Engineers Search Engine Provides ACTUAL Data Instantly From MINI-CIRCUITS At: [www.minicircuits.com](http://www.minicircuits.com)



IF/RF MICROWAVE COMPONENTS

# Digital Step Attenuator

# DAT-31A-PP+

## Typical Performance Data

TEST CONDITIONS: INPUT POWER=0 dBm, Vdd=+3V, TEMPERATURE=+105°C

FREQUENCY (MHz)	STEP ATTENUATION* AT TTL CONTROL STATE (dB)					
	000000	000010	000100	001000	010000	100000
	THRU LOSS	1.0 dB	2.0 dB	4.0 dB	8.0 dB	16 dB
0.1	1.30	1.00	1.98	3.97	7.87	15.81
0.3	1.28	1.00	1.98	3.97	7.88	15.82
0.5	1.28	1.00	1.98	3.97	7.88	15.82
1	1.29	1.00	1.98	3.97	7.87	15.81
5	1.31	0.99	1.98	3.96	7.87	15.81
10	1.31	1.00	1.98	3.97	7.87	15.81
50	1.32	1.00	1.98	3.97	7.87	15.81
100	1.30	1.00	1.98	3.97	7.87	15.81
200	1.31	1.00	1.98	3.96	7.87	15.81
300	1.33	0.99	1.98	3.96	7.87	15.81
400	1.35	0.99	1.98	3.96	7.87	15.81
500	1.37	0.99	1.98	3.96	7.88	15.82
600	1.39	0.99	1.98	3.96	7.88	15.83
700	1.41	0.99	1.98	3.97	7.89	15.83
800	1.44	0.99	1.98	3.97	7.89	15.83
900	1.46	0.99	1.98	3.97	7.90	15.84
1000	1.49	0.99	1.98	3.97	7.90	15.84
1100	1.51	0.99	1.98	3.97	7.90	15.84
1200	1.54	0.99	1.98	3.96	7.90	15.85
1300	1.57	0.99	1.98	3.96	7.89	15.84
1400	1.59	0.99	1.97	3.95	7.89	15.86
1500	1.62	0.99	1.97	3.95	7.89	15.86
1600	1.65	0.99	1.97	3.95	7.89	15.88
1700	1.67	0.99	1.98	3.94	7.90	15.90
1800	1.70	0.99	1.98	3.95	7.91	15.92
1900	1.72	1.00	1.98	3.95	7.93	15.96
2000	1.73	1.00	1.99	3.96	7.94	15.99
2100	1.75	1.01	2.00	3.97	7.97	16.04
2200	1.77	1.01	2.01	3.98	8.01	16.10
2300	1.78	1.02	2.02	4.00	8.05	16.17
2400	1.79	1.02	2.03	4.02	8.10	16.26
2500	1.80	1.03	2.04	4.03	8.15	16.34
2600	1.82	1.03	2.04	4.05	8.20	16.42
2700	1.84	1.03	2.05	4.06	8.25	16.53
2800	1.86	1.03	2.05	4.06	8.28	16.58
2900	1.87	1.03	2.04	4.06	8.31	16.64
3000	1.87	1.02	2.04	4.05	8.33	16.70
3200	1.85	1.00	2.01	4.02	8.34	16.75
3400	1.90	0.99	1.99	3.99	8.34	16.76
3600	1.96	0.98	1.98	3.98	8.37	16.84
3800	2.04	0.97	1.98	3.98	8.38	16.85
4000	2.12	0.98	2.00	3.99	8.41	16.92
4200	2.18	0.98	2.01	3.99	8.45	17.03
4400	2.24	0.97	2.01	4.00	8.52	17.27
4600	2.28	0.99	2.04	4.04	8.66	17.67
4800	2.31	1.03	2.11	4.14	8.90	18.17
5000	2.39	1.03	2.16	4.22	9.17	18.72

\* Step Attenuation above Thru Loss (TTL Logic 00000).



REV. B  
DAT-31A-PP+  
6/13/2016  
7 of 9

P.O. Box 350166, Brooklyn, New York 11235-0003 (718) 934-4500 • Fax (718) 332-4661 For detailed performance specs & shopping online see Mini-Circuits web site  
The Design Engineers Search Engine Provides ACTUAL Data Instantly From MINI-CIRCUITS At: www.minicircuits.com



IF/RF MICROWAVE COMPONENTS



# Digital Step Attenuator

# DAT-31A-PP+

## Typical Performance Data

TEST CONDITIONS: INPUT POWER=0 dBm, Vdd=+3V, TEMPERATURE=+105°C

FREQUENCY (MHz)	INPUT RETURN LOSS AT TTL CONTROL STATE (dB)					
	000000 0 dB	000010 1.0 dB	000100 2.0 dB	001000 4.0 dB	010000 8.0 dB	100000 16 dB
0.1	16.83	18.25	16.27	16.05	16.66	20.02
0.3	16.97	18.36	16.37	16.14	16.73	20.04
0.5	16.97	18.36	16.37	16.14	16.73	20.04
1	17.03	18.43	16.41	16.17	16.74	20.05
5	17.02	18.42	16.41	16.17	16.75	20.07
10	17.03	18.43	16.42	16.17	16.75	20.06
50	17.11	18.53	16.52	16.28	16.88	20.23
100	17.40	18.90	16.84	16.62	17.27	20.80
200	17.20	18.69	16.72	16.54	17.20	20.62
300	16.82	18.15	16.27	16.01	16.53	19.48
400	16.95	18.17	16.21	15.84	16.21	18.91
500	17.10	18.25	16.21	15.77	16.05	18.59
600	17.10	18.18	16.11	15.62	15.84	18.22
700	17.05	18.05	15.97	15.43	15.59	17.84
800	17.09	17.98	15.88	15.29	15.39	17.52
900	16.95	17.75	15.72	15.12	15.21	17.26
1000	16.74	17.46	15.56	14.99	15.09	17.10
1100	16.51	17.18	15.47	14.95	15.12	17.14
1200	16.19	16.79	15.32	14.89	15.14	17.21
1300	15.61	16.18	15.00	14.72	15.10	17.22
1400	15.12	15.69	14.77	14.63	15.16	17.36
1500	14.73	15.30	14.63	14.64	15.36	17.71
1600	14.40	14.98	14.52	14.70	15.62	18.13
1700	14.09	14.67	14.42	14.76	15.91	18.62
1800	13.86	14.44	14.38	14.87	16.27	19.20
1900	13.73	14.31	14.41	15.05	16.73	19.93
2000	13.76	14.33	14.59	15.38	17.38	20.90
2100	13.82	14.39	14.79	15.73	18.07	21.90
2200	14.14	14.69	15.23	16.30	19.03	23.18
2300	14.69	15.23	15.88	17.10	20.31	24.82
2400	15.42	15.94	16.72	18.11	21.93	26.51
2500	16.39	16.87	17.80	19.35	23.94	27.50
2600	17.78	18.27	19.35	21.18	27.17	27.81
2700	19.81	20.33	21.61	23.92	32.80	26.68
2800	22.35	23.23	24.66	27.99	39.80	24.70
2900	25.24	27.31	28.43	33.88	31.99	22.86
3000	26.61	33.52	30.08	33.76	27.40	21.54
3200	23.25	29.72	24.60	24.86	22.25	19.39
3400	20.56	24.55	21.26	21.36	20.12	18.48
3600	19.74	23.08	19.88	19.82	19.23	18.28
3800	20.93	24.01	20.38	20.17	20.06	19.47
4000	22.66	23.75	21.91	22.08	23.60	23.49
4200	20.37	19.75	21.04	22.50	29.28	36.09
4400	16.70	16.10	17.92	19.41	23.30	24.85
4600	14.82	14.30	15.98	16.99	18.50	18.31
4800	14.46	13.59	15.05	15.49	15.61	14.85
5000	14.98	13.75	14.88	14.73	13.90	12.82



REV. B  
DAT-31A-PP+  
6/13/2016  
8 of 9

P.O. Box 350166, Brooklyn, New York 11235-0003 (718) 934-4500 • Fax (718) 332-4661 For detailed performance specs & shopping online see Mini-Circuits web site  
The Design Engineers Search Engine Provides ACTUAL Data Instantly From MINI-CIRCUITS At: [www.minicircuits.com](http://www.minicircuits.com)



IF/RF MICROWAVE COMPONENTS



# Digital Step Attenuator

# DAT-31A-PP+

## Typical Performance Data

TEST CONDITIONS: INPUT POWER=0 dBm, Vdd=+3V, TEMPERATURE=+105°C

FREQUENCY (MHz)	OUTPUT RETURN LOSS AT TTL CONTROL STATE (dB)					
	000000	000010	000100	001000	010000	100000
	0 dB	1.0 dB	2.0 dB	4.0 dB	8.0 dB	16 dB
0.1	16.62	16.46	18.93	19.46	19.36	17.65
0.3	16.74	16.57	19.02	19.52	19.40	17.70
0.5	16.78	16.61	19.06	19.55	19.41	17.70
1	16.84	16.64	19.10	19.57	19.42	17.70
5	16.92	16.72	19.19	19.62	19.45	17.72
10	16.93	16.73	19.20	19.63	19.46	17.72
50	16.95	16.78	19.25	19.72	19.58	17.85
100	16.98	16.85	19.39	19.93	19.88	18.13
200	17.15	17.03	19.59	20.13	20.05	18.26
300	17.10	16.90	19.27	19.63	19.35	17.63
400	17.00	16.70	18.89	19.08	18.64	16.97
500	16.91	16.55	18.64	18.71	18.20	16.58
600	17.13	16.67	18.70	18.64	18.04	16.41
700	17.20	16.66	18.59	18.41	17.72	16.11
800	17.11	16.48	18.26	17.98	17.28	15.74
900	16.93	16.27	17.92	17.60	16.94	15.48
1000	16.66	16.02	17.54	17.23	16.68	15.32
1100	16.26	15.69	17.10	16.87	16.48	15.25
1200	15.77	15.31	16.61	16.51	16.33	15.26
1300	15.33	14.99	16.19	16.21	16.26	15.35
1400	14.89	14.68	15.79	15.94	16.24	15.54
1500	14.46	14.36	15.41	15.69	16.27	15.82
1600	14.12	14.14	15.13	15.54	16.42	16.23
1700	13.83	13.94	14.89	15.42	16.60	16.73
1800	13.64	13.84	14.74	15.38	16.89	17.38
1900	13.57	13.85	14.70	15.42	17.27	18.19
2000	13.55	13.90	14.71	15.51	17.73	19.18
2100	13.69	14.10	14.88	15.76	18.38	20.50
2200	13.99	14.46	15.20	16.12	19.19	22.18
2300	14.53	15.05	15.76	16.74	20.34	24.58
2400	15.26	15.84	16.54	17.55	21.83	28.10
2500	16.20	16.84	17.60	18.68	23.89	34.49
2600	17.42	18.13	19.02	20.16	26.75	53.77
2700	18.66	19.46	20.67	21.88	30.67	33.50
2800	19.91	20.82	22.98	24.41	38.46	27.93
2900	20.48	21.50	25.37	27.46	39.86	24.79
3000	20.51	21.53	27.62	31.29	31.67	22.61
3200	18.97	19.74	25.99	29.27	25.16	20.03
3400	17.22	17.76	22.31	23.94	21.89	18.51
3600	16.74	17.00	20.75	21.58	20.67	18.21
3800	17.09	17.06	20.14	20.37	20.60	19.01
4000	17.56	17.28	19.31	19.28	21.16	21.03
4200	17.54	17.29	18.19	18.27	22.07	25.37
4400	17.57	17.46	17.33	17.57	22.89	37.52
4600	18.16	18.30	17.08	17.34	22.60	26.44
4800	20.02	20.37	17.69	17.75	21.05	19.92
5000	24.06	23.95	18.74	18.36	18.67	16.18



P.O. Box 350166, Brooklyn, New York 11235-0003 (718) 934-4500 • Fax (718) 332-4661 For detailed performance specs & shopping online see Mini-Circuits web site  
 The Design Engineers Search Engine Provides ACTUAL Data Instantly From MINI-CIRCUITS At: [www.minicircuits.com](http://www.minicircuits.com)



IF/RF MICROWAVE COMPONENTS

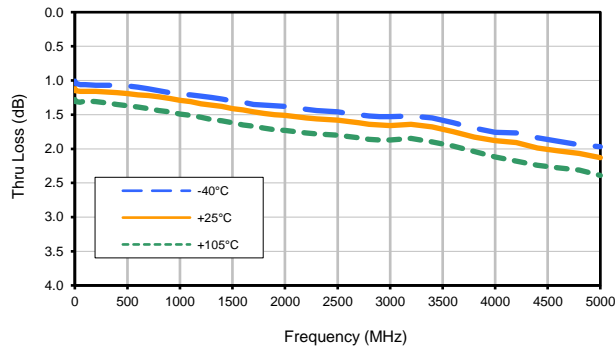
REV. B  
 DAT-31A-PP+  
 6/13/2016  
 9 of 9

# Digital Step Attenuator

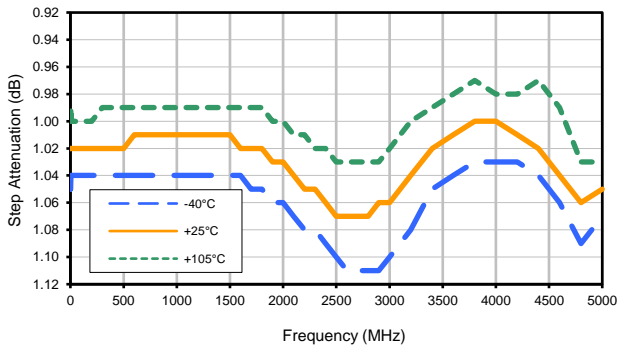
## Typical Performance Curves

DAT-31A-PP+

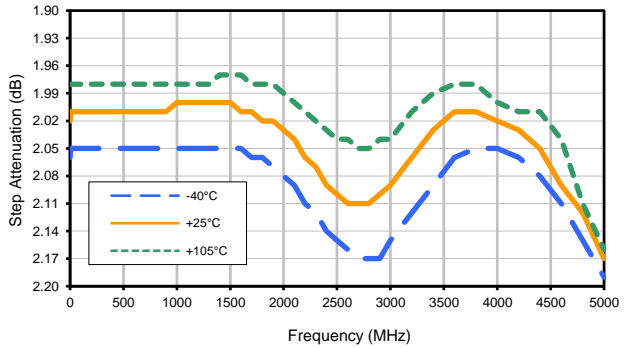
Thru Loss



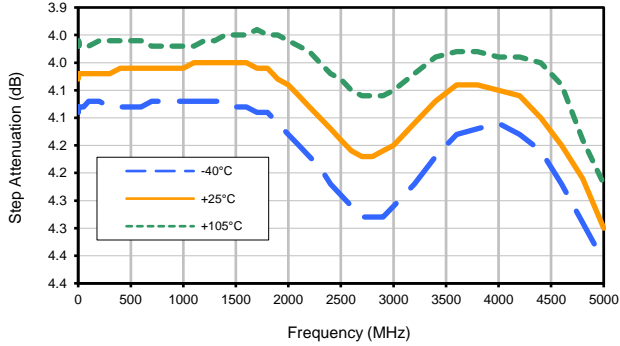
Step Attenuation (1dB)



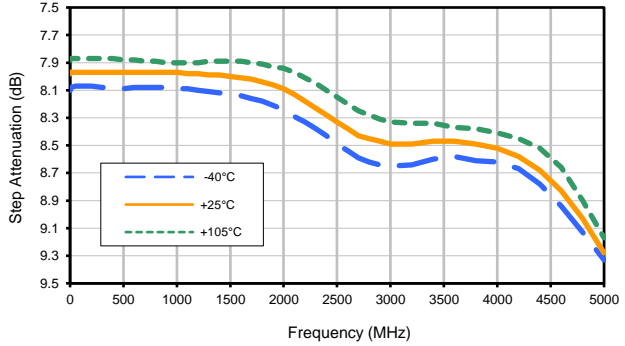
Step Attenuation (2dB)



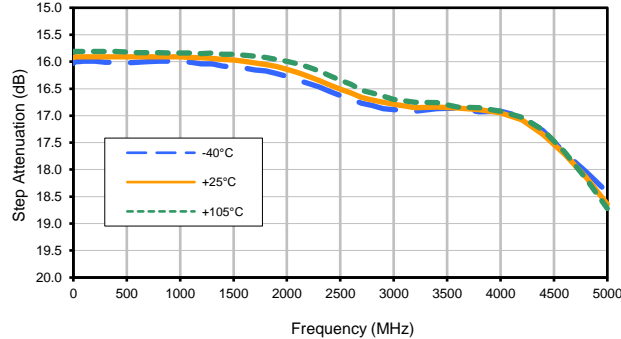
Step Attenuation (4dB)



Step Attenuation (8dB)



Step Attenuation (16dB)

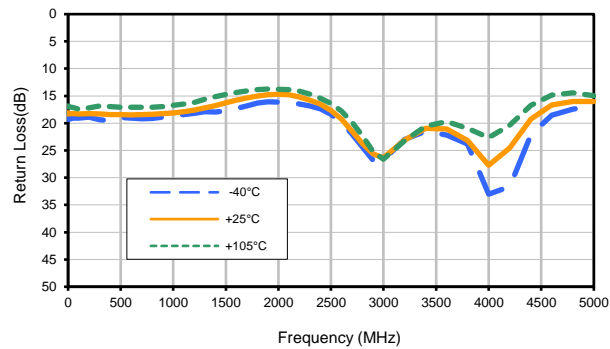


# Digital Step Attenuator

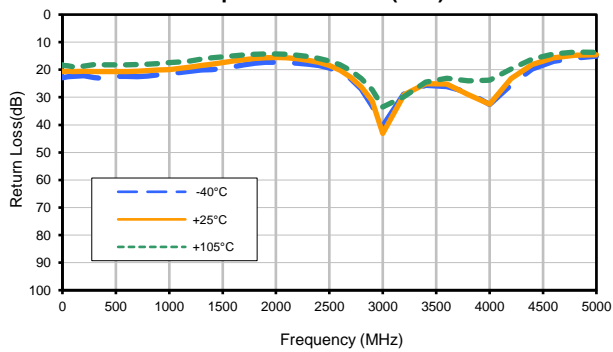
## Typical Performance Curves

# DAT-31A-PP+

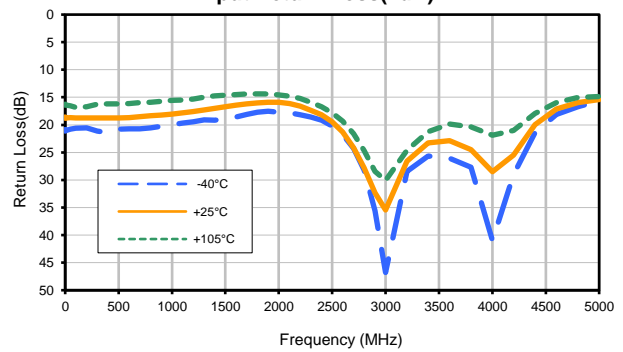
Input Return Loss (0dB)



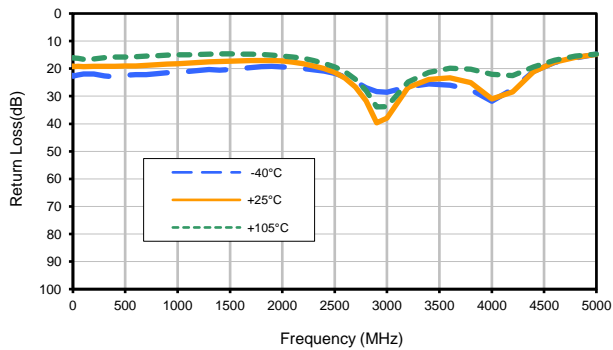
Input Return Loss (1dB)



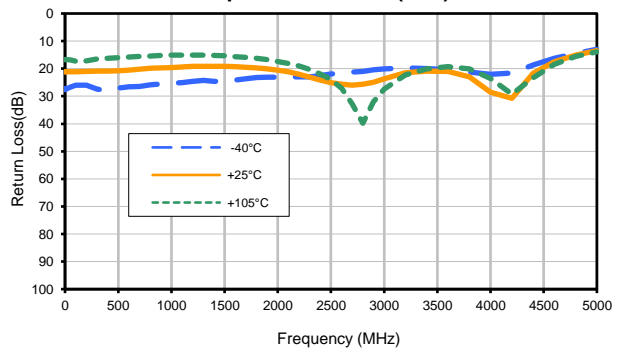
Input Return Loss(2dB)



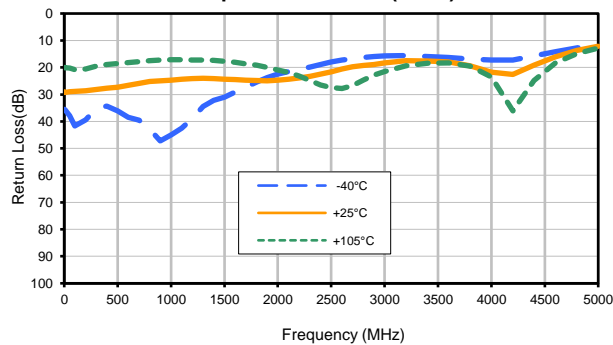
Input Return Loss (4dB)



Input Return Loss (8dB)

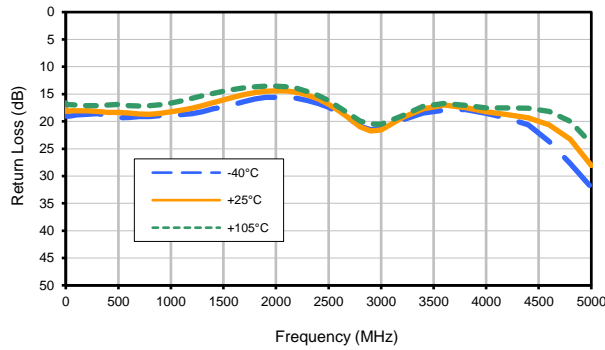


Input Return Loss (16dB)

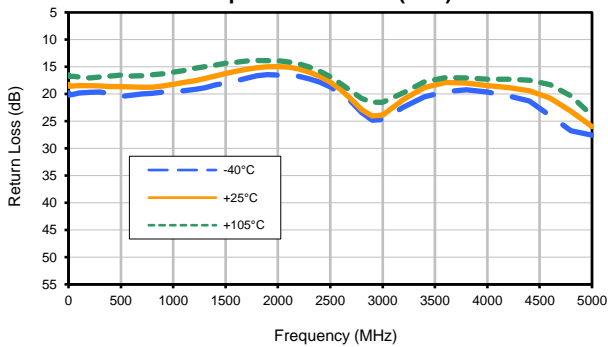


## Typical Performance Curves

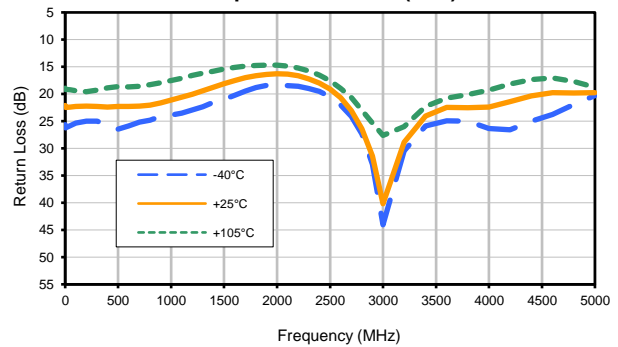
### Output Return Loss (0dB)



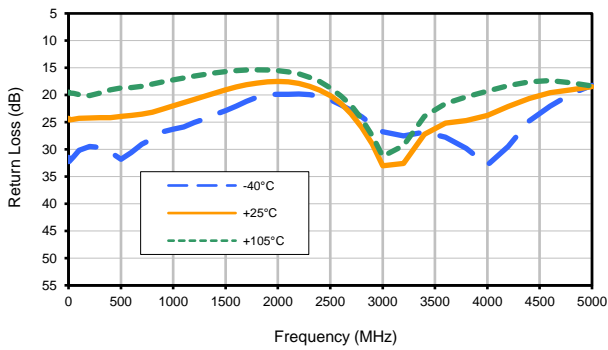
### Output Return Loss (1dB)



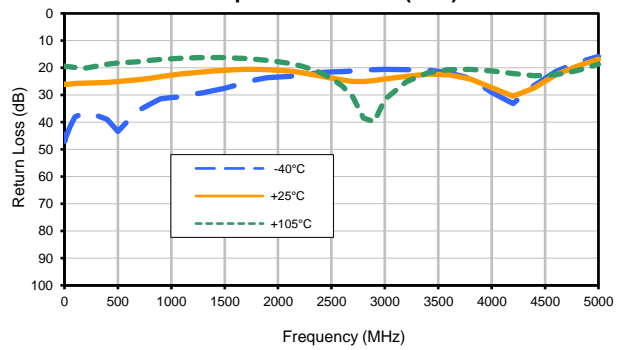
### Output Return Loss (2dB)



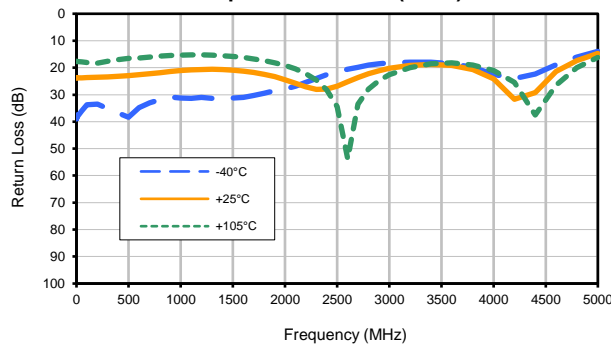
### Output Return Loss (4dB)



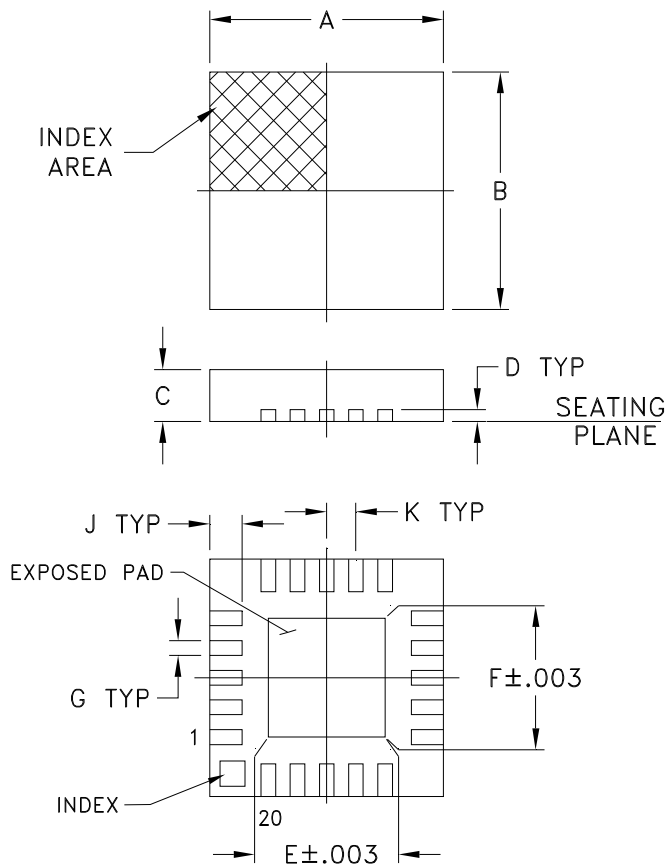
### Output Return Loss (8dB)



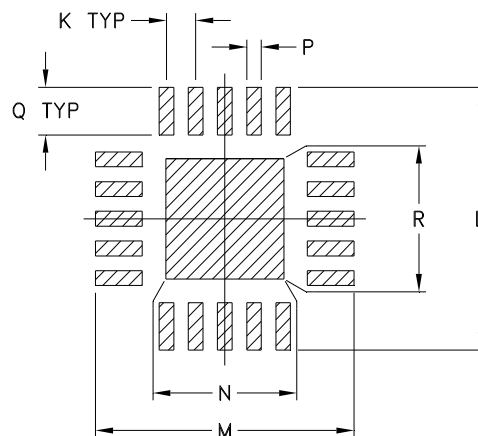
### Output Return Loss (16dB)



### Outline Dimensions



### PCB Land Pattern



Suggested Layout,  
Tolerance to be within  $\pm .002$

CASE #	A	B	C	D	E	F	G	H	J	K
DG983-2	.157 (4.00)	.157 (4.00)	.033 (0.85)	.008 (0.20)	.085 (2.15)	.085 (2.15)	.009 (0.23)	-- --	.022 (0.55)	.020 (0.50)

CASE #	L	M	N	P	Q	R	WT. GRAM
DG983-2	.177 (4.50)	.177 (4.50)	.081 (2.06)	.010 (0.25)	.032 (0.81)	.081 (2.06)	.04

Dimensions are in inches (mm). Tolerances: 2 Pl.  $\pm .01$ ; 3 Pl.  $\pm .005$

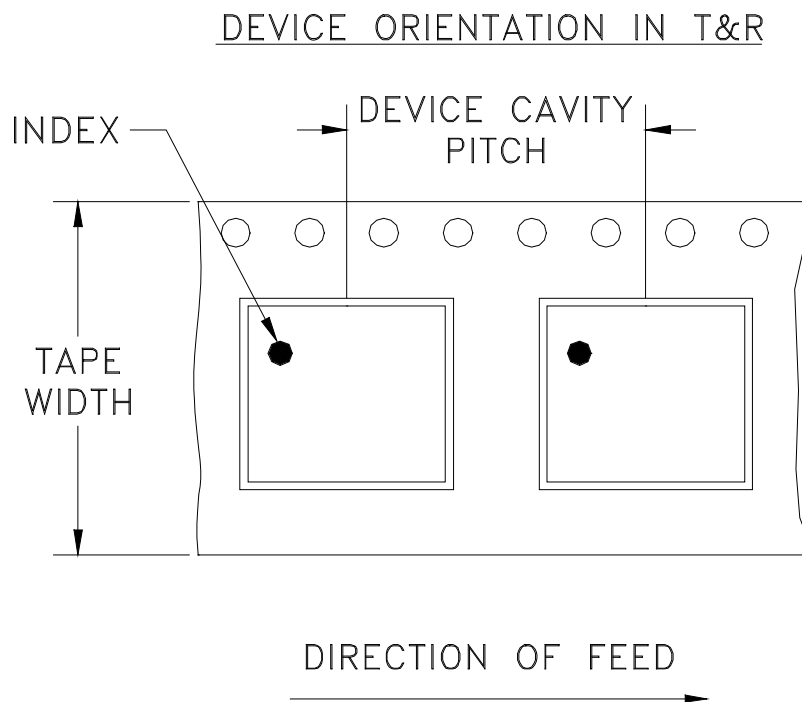
#### Notes:

1. Case material: Plastic.
2. Termination finish:

For RoHS Case Styles: 0.2  $\mu$ inches of Gold (Au) over 0.1  $\mu$ inches of Palladium (Pd) over 10  $\mu$ inches of Nickel (Ni). All models, (+) suffix.

For RoHS-5 Case Styles: Tin-Lead plate. All models, no (+) suffix.

# Tape & Reel Packaging TR-F87



Tape Width, mm	Device Cavity Pitch, mm	Reel Size, inches	Devices per Reel	
12	8	7	Small quantity standards (see note)	20
				50
				100
				200
				500
		1000		
		13	Standard	3000

**Note : Please Consult individual model data sheet to determine device per reel availability**

Mini-Circuits carrier tape materials provide protection from ESD (Electro-Static Discharge) during handling and transportation. Tapes are static dissipative and comply with industry standards EIA-481/EIA-541.

Go to: [www.minicircuits.com/pages/pdfs/tape.pdf](http://www.minicircuits.com/pages/pdfs/tape.pdf)



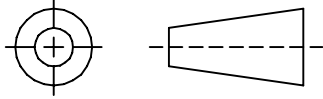
**Distribution Centers NORTH AMERICA** 800-654-7949 • 417-335-5935 • Fax 417-335-5945 • **EUROPE** 44-1252-832600 • Fax 44-1252-837010

Mini-Circuits ISO 9001 & ISO 14001 Certified

INTERNET <http://www.minicircuits.com>

P.O. Box 350166, Brooklyn, New York 11235-0003 (718) 934-4500 Fax (718) 332-4661

THIRD ANGLE PROJECTION



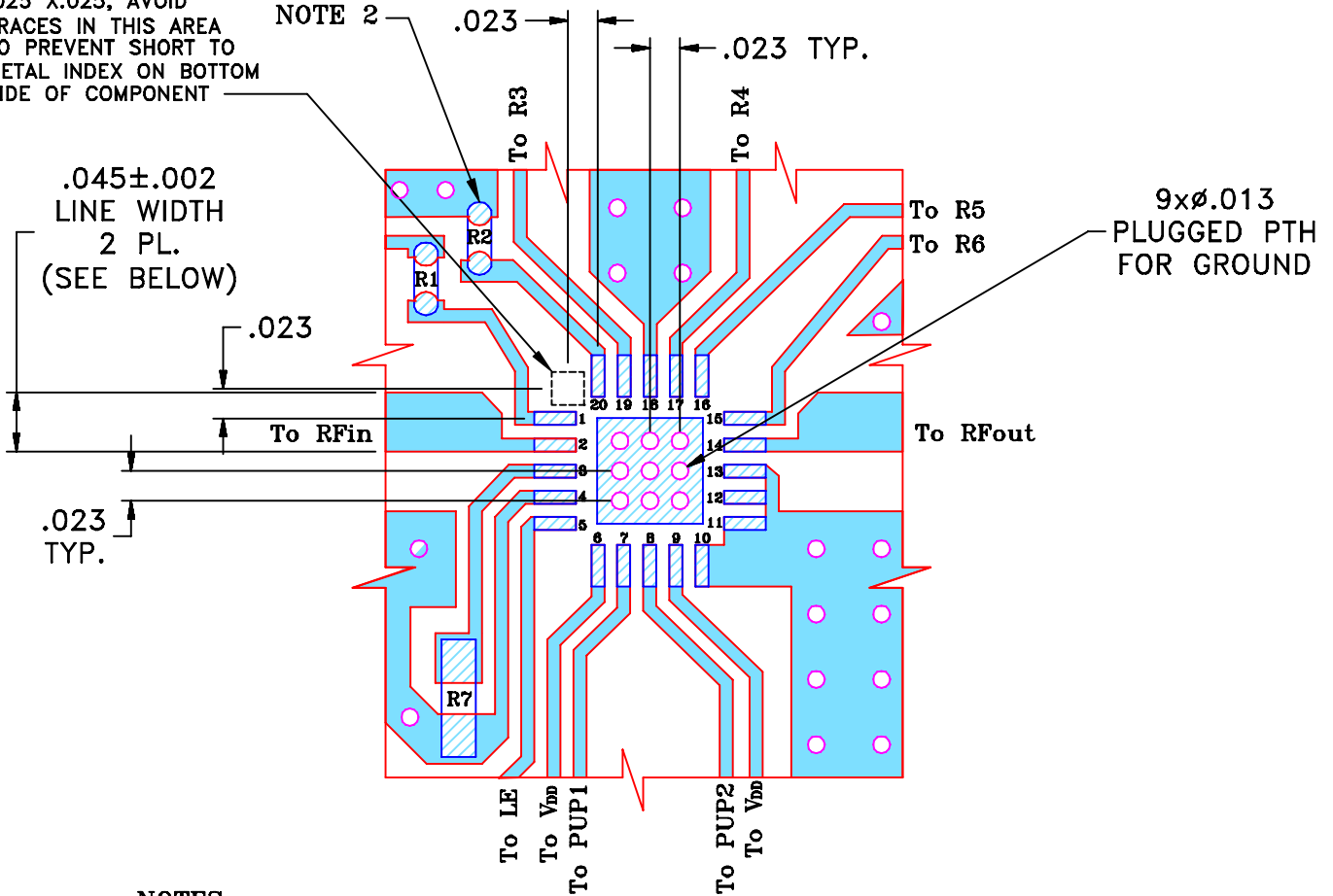
REVISIONS

REV	ECN No.	DESCRIPTION	DATE	DR	AUTH
OR	M97254	NEW RELEASE (FROM RAVON)	03/05	DK	HH
A	M102713	MODIFIED HATCH, NOTES & ADDED "...WITH SMOBC"	01/08	GT	IL
B	M103510	ADD R7 & CHANGE LOCATION DESIGNATORS	07/09	EM	KN
B	R63339	ADD R7 & CHANGE LOCATION DESIGNATORS	07/09	EM	KN

SUGGESTED MOUNTING CONFIGURATION

FOR DG983-1 CASE STYLE, qs PIN CONNECTIONS, 50 Ω.

KEEP-OUT ZONE,  
.025 X.025, AVOID  
TRACES IN THIS AREA  
TO PREVENT SHORT TO  
METAL INDEX ON BOTTOM  
SIDE OF COMPONENT



NOTES:

- TRACE WIDTH IS SHOWN FOR FR4 WITH DIELECTRIC THICKNESS. .025"±.002". COPPER: 1/2 OZ. EACH SIDE. FOR OTHER MATERIALS TRACE WIDTH MAY NEED TO BE MODIFIED.
- 0603, 0402 SIZES CHIP FOOT PRINTS SHOWN FOR REFERENCE, VALUES OF RESISTORS WILL VARY BASED ON APPLICATION.
- BOTTOM SIDE OF THE PCB IS CONTINUOUS GROUND PLANE.



DENOTES PCB COPPER LAYOUT WITH SMOBC (SOLDER MASK OVER BARE COPPER)  
DENOTES COPPER LAND PATTERN FREE OF SOLDER MASK

UNLESS OTHERWISE SPECIFIED	INITIALS		DATE
DIMENSIONS ARE IN INCHES TOLERANCES ON: 2 PL DECIMALS ± 3 PL DECIMALS ± .005 ANGLES ± FRACTIONS ±	DRAWN	DK (RAVON)	08 MAR 05
	CHECKED	RZ (RAVON)	08 MAR 05
	APPROVED	HH (RAVON)	08 MAR 05



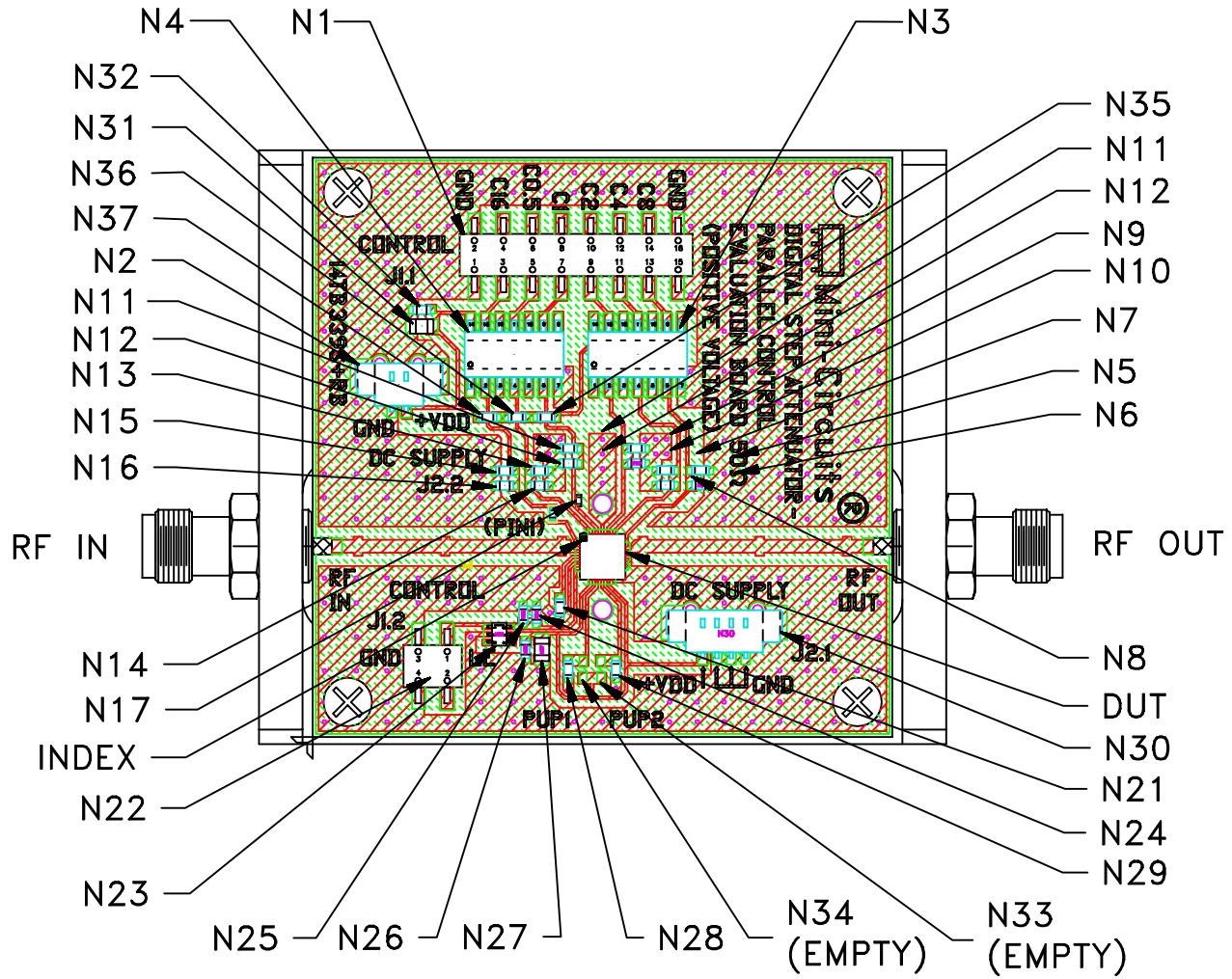
Mini-Circuits® 13 Neptune Avenue  
Brooklyn NY 11235

PL, qs, DG983-1  
TB-339 (50 Ω)

SIZE	CODE IDENT	DRAWING NO:	REV:
A	15542	98-PL-189	B
FILE:	98PL189	SCALE:	7:1
		SHEET:	1 OF 1

Mini-Circuits®  
THIS DOCUMENT AND ITS CONTENTS ARE THE PROPERTY OF MINI-CIRCUITS. EXCEPT FOR USE EXPRESSLY GRANTED, IN WRITING, TO ITS VENDORS, VENDEE AND THE UNITED STATES GOVERNMENT, MINI-CIRCUITS RESERVES ALL PROPRIETARY DESIGN, USE, MANUFACTURING AND REPRODUCTION RIGHTS THERETO. THESE CONTENTS SHALL NOT BE USED, DUPLICATED OR DISCLOSED TO ANY OUTSIDE PARTY, IN WHOLE OR IN PART, WITHOUT WRITTEN PERMISSION OF MINI-CIRCUITS.

# Evaluation Board and Circuit



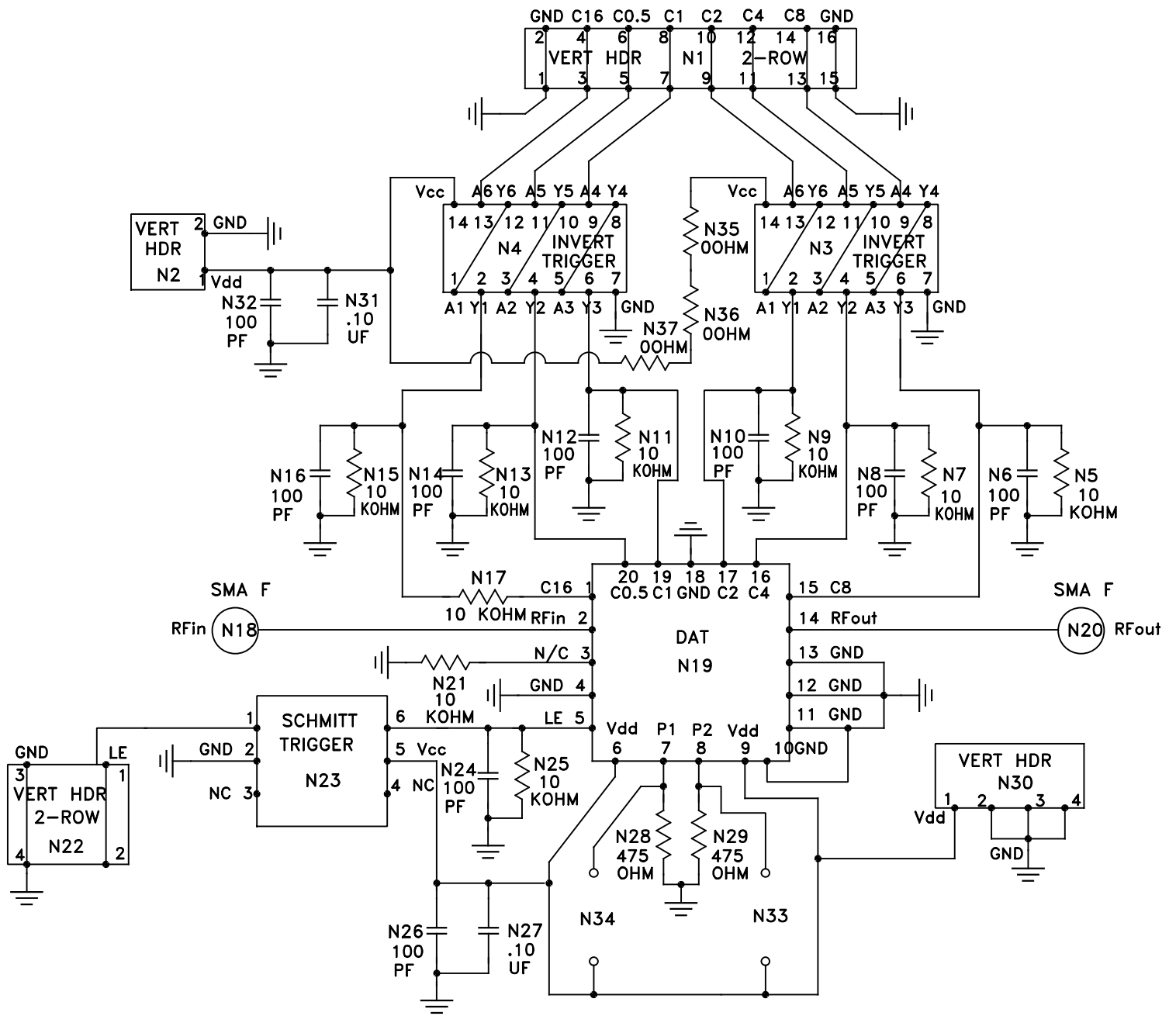
TB-339

**Notes:**

1. N-Type Female connectors.
2. PCB Material: FR4 Grade IT 180TC (ITEQ Corporation) or equivalent, Dielectric Constant=4.7, Thickness=.025 inch.







Schematic Diagram

All Mini-Circuits products are manufactured under exacting quality assurance and control standards, and are capable of meeting published specifications after being subjected to any or all of the following physical and environmental test.

<b>Specification</b>	<b>Test/Inspection Condition</b>	<b>Reference/Spec</b>
Operating Temperature	-40° to 85° C or -40° to 105° C Ambient Environment	Refer to Individual Model Data Sheet
Storage Temperature	-55° to 100° C or -65° to 150° C Ambient Environment	Refer to Individual Model Data Sheet
Temperature Humidity Bias	85°C, 85% RH, 96 hours	JESD22-A101B
Thermal Shock	-55° to 100°C, 100 cycles	MIL-STD-202, Method 107, Condition A-3, except +100°C
Solder Reflow Heat	Pb-Free Process: 260°C peak	J-STD-020, Table 4-1, 4-2 and 5-2; Figure 5-1
Solderability	10X magnification, 95% coverage	JESD22-B102, Method 1: Dip and Look Test
Marking Resistance to Solvents	Laser marked, visual observation	Mini-Circuits D4-Q4T0-04