



SURFACE MOUNT

Directional Coupler

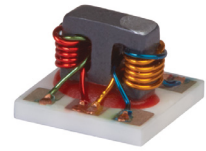
DBTC-17-5+

Mini-Circuits

50Ω 17 dB 50 to 2000 MHz

FEATURES

- Very Flat Coupling
- Very Broadband, Multi Octave
- Temperature Stable, LTCC Base
- All Welded Construction
- Leads Attached for Better Solderability
- Micro Miniature Coupler
- Aqueous Washable
- Protected by US Patents 6,140,887 & 6,784,521



Generic photo used for illustration purposes only

CASE STYLE: AT790-1

+RoHS Compliant

The +Suffix identifies RoHS Compliance. See our website for methodologies and qualifications

APPLICATIONS

- Cellular
- PCS
- DECT/PHS
- GSM

ELECTRICAL SPECIFICATIONS AT +25°C

Parameter	Condition (MHz)	Min.	Typ.	Max.	Unit
Frequency Range		50		2000	MHz
Mainline Loss ¹	50-1000		0.9	1.4	dB
	1000-1500		1.0	1.5	
	1500-2000		1.1	1.6	
Nominal Coupling	50-1000		17.0±0.7		dB
	1000-1500		17.2±0.9		
	1500-2000		17.5±1.0		
Coupling Flatness	50-1000			±0.9	dB
	1000-1500			±1.0	
	1500-2000			±0.8	
Directivity	50-1000	13	20		dB
	1000-1500	10	20		
	1500-2000		14		
VSWR ²	50-1000		1.2		:1
	1000-1500		1.2		
	1500-2000		1.2		
Input Power	50-1000			2.0	W
	1000-1500			2.0	
	1500-2000			2.0	

1. Includes theoretical coupled power loss of 0.07 dB at 17 dB coupling.

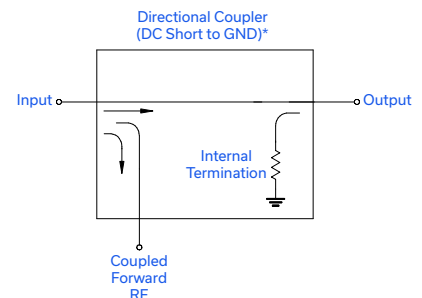
2. For coupled port VSWR above 500 MHz, 1.6:1 typ.

ABSOLUTE MAXIMUM RATINGS

Parameter	Ratings
Operating Temperature	-40°C to +85°C
Storage Temperature	-55°C to +100°C

Permanent damage may occur if any of these limits are exceeded.

ELECTRICAL SCHEMATIC



* Electrical schematic is for directional coupler with internal transformer(s) that routes DC from RF ports to ground.





SURFACE MOUNT

Directional Coupler

DBTC-17-5+

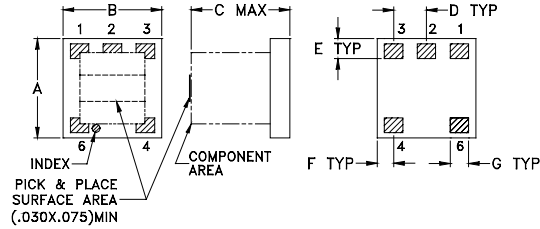
Mini-Circuits

50Ω 17 dB 50 to 2000 MHz

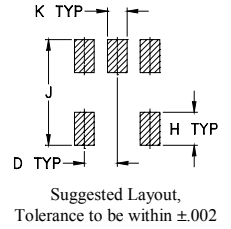
PIN CONNECTIONS

INPUT	3
OUTPUT	4
COUPLED	1
GROUND	2
ISOLATE (DO NOT USE)	6

OUTLINE DRAWING

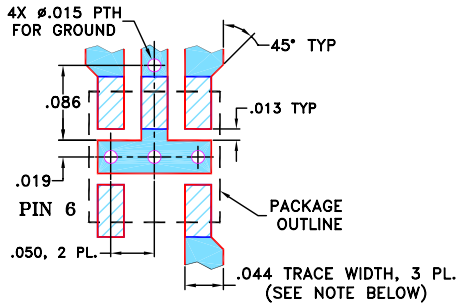


PCB Land Pattern



PRODUCT MARKING: N/A

DEMO BOARD MCL P/N: TB-DBTC-17-5+ SUGGESTED PCB LAYOUT (PL-150)



- NOTES: 1. TRACE WIDTH IS SHOWN FOR ROGERS RO4350B WITH DIELECTRIC THICKNESS 0.020" ± 0.0015"; COPPER: 1/2 OZ. EACH SIDE. FOR OTHER MATERIALS TRACE WIDTH MAY NEED TO BE MODIFIED.
 2. BOTTOM SIDE OF THE PCB IS CONTINUOUS GROUND PLANE.

- DENOTES PCB COPPER LAYOUT WITH SMOBC (SOLDER MASK OVER BARE COPPER)
- DENOTES COPPER LAND PATTERN FREE OF SOLDER MASK

OUTLINE DIMENSIONS (Inches/mm)

A	B	C	D	E	F	G	H	J	K	wt
.150	.150	.150	.050	.030	.025	.028	.050	.160	.030	grams
3.81	3.81	3.81	1.27	0.76	0.64	0.71	1.27	4.06	0.76	0.10

TAPE & REEL INFORMATION: F17



SURFACE MOUNT

Directional Coupler

DBTC-17-5+

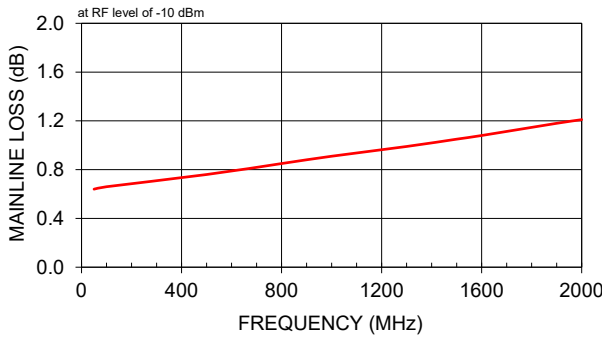
Mini-Circuits

50Ω 17 dB 50 to 2000 MHz

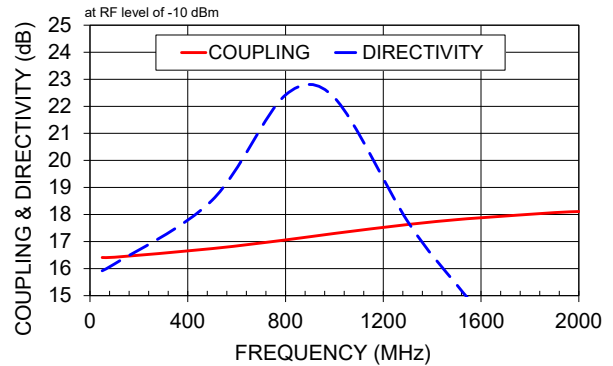
TYPICAL PERFORMANCE DATA

Frequency (MHz)	Mainline Loss (dB)		Coupling (dB)	Directivity (dB)	Return Loss (dB)		
	In-Out	In-Cpl			In	Out	Cpl
50	0.64	16.41	15.92	23.43	27.62	18.46	
100	0.66	16.42	16.17	23.56	27.75	18.62	
500	0.76	16.74	18.53	22.36	23.13	18.78	
800	0.85	17.06	22.42	21.45	21.80	18.22	
1000	0.91	17.30	22.32	21.67	21.94	17.08	
1300	0.99	17.63	17.74	22.81	22.71	14.85	
1500	1.05	17.81	15.41	24.84	24.12	13.40	
1600	1.08	17.88	14.43	25.91	24.48	12.71	
1900	1.18	18.07	12.20	28.04	25.71	10.95	
2000	1.21	18.11	11.55	28.07	25.90	10.50	

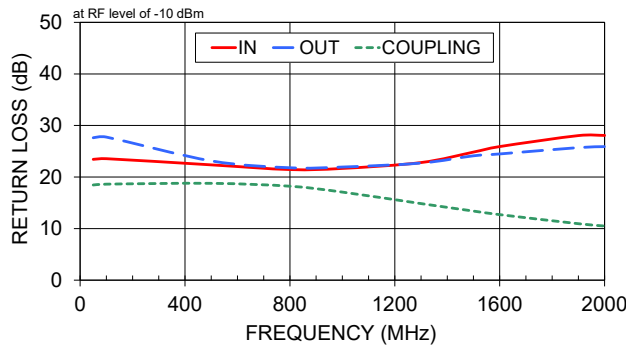
MAINLINE LOSS



COUPLING & DIRECTIVITY



RETURN LOSS



- NOTES**
- A. Performance and quality attributes and conditions not expressly stated in this specification document are intended to be excluded and do not form a part of this specification document.
 - B. Electrical specifications and performance data contained in this specification document are based on Mini-Circuit's applicable established test performance criteria and measurement instructions.
 - C. The parts covered by this specification document are subject to Mini-Circuits standard limited warranty and terms and conditions (collectively, "Standard Terms"); Purchasers of this part are entitled to the rights and benefits contained therein. For a full statement of the standard. Terms and the exclusive rights and remedies thereunder, please visit Mini-Circuits' website at www.minicircuits.com/terms/viewterm.html



Directional Coupler

DBTC-17-5+

Typical Performance Data

FREQUENCY (MHz)	INSERTION LOSS (dB)	COUPLING (dB)	DIRECTIVITY (dB)	RETURN LOSS		
				IN	(dB) OUT	CPL
50.0	0.64	16.41	15.92	23.43	27.62	18.46
55.0	0.64	16.41	15.94	23.49	27.68	18.49
60.0	0.64	16.41	15.96	23.56	27.71	18.52
65.0	0.65	16.41	15.99	23.61	27.75	18.54
70.0	0.65	16.41	16.02	23.61	27.77	18.56
80.0	0.65	16.41	16.07	23.62	27.82	18.59
90.0	0.65	16.42	16.13	23.58	27.81	18.61
100.0	0.66	16.42	16.17	23.56	27.75	18.62
200.0	0.69	16.49	16.50	23.18	26.76	18.66
300.0	0.72	16.57	17.00	22.83	25.30	18.64
400.0	0.74	16.66	17.60	22.50	23.97	18.77
450.0	0.75	16.70	18.10	22.33	23.56	18.78
500.0	0.76	16.74	18.53	22.36	23.13	18.78
550.0	0.78	16.78	19.08	22.05	22.64	18.81
600.0	0.79	16.83	19.78	21.96	22.46	18.73
700.0	0.82	16.94	20.99	21.60	22.01	18.51
800.0	0.85	17.06	22.42	21.45	21.80	18.22
900.0	0.88	17.18	23.75	21.40	21.65	17.76
950.0	0.89	17.24	22.98	21.43	21.72	17.44
1000.0	0.91	17.30	22.32	21.67	21.94	17.08
1050.0	0.92	17.36	21.47	21.51	21.73	16.77
1100.0	0.94	17.41	20.58	21.65	21.85	16.42
1200.0	0.96	17.53	19.09	22.21	22.34	15.63
1300.0	0.99	17.63	17.74	22.81	22.71	14.85
1400.0	1.02	17.72	16.46	23.59	23.24	14.13
1425.0	1.03	17.74	16.17	23.83	23.33	13.93
1450.0	1.03	17.76	15.90	24.14	23.55	13.74
1475.0	1.04	17.78	15.64	24.55	23.87	13.56
1500.0	1.05	17.81	15.41	24.84	24.12	13.40
1525.0	1.06	17.83	15.16	25.00	24.17	13.24
1550.0	1.06	17.84	14.88	25.16	24.14	13.07
1575.0	1.07	17.86	14.64	25.46	24.25	12.89
1600.0	1.08	17.88	14.43	25.91	24.48	12.71
1700.0	1.11	17.95	13.55	27.15	25.32	12.12
1800.0	1.14	18.01	12.88	27.83	25.45	11.48
1900.0	1.18	18.07	12.20	28.04	25.71	10.95
1925.0	1.18	18.07	12.03	27.83	25.47	10.83
1950.0	1.19	18.08	11.84	27.98	25.52	10.71
1975.0	1.20	18.09	11.68	28.14	25.76	10.60
2000.0	1.21	18.11	11.55	28.07	25.97	10.50

REV. X1
DBTC-17-5+
110824
Page 1 of 1



IF/RF MICROWAVE COMPONENTS • ISO 9001 ISO 14001 AS 9100 CERTIFIED RoHS compliant

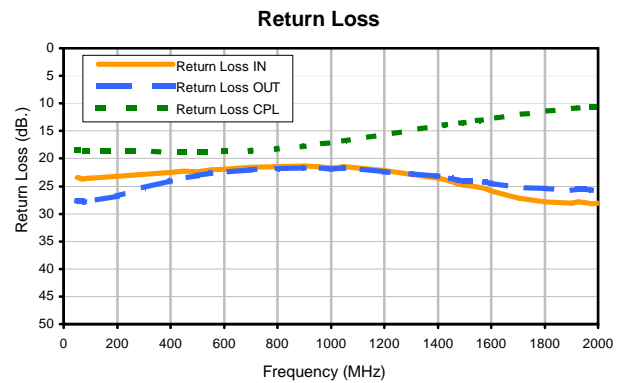
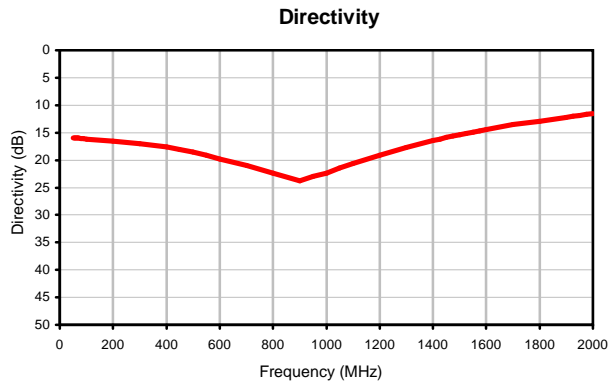
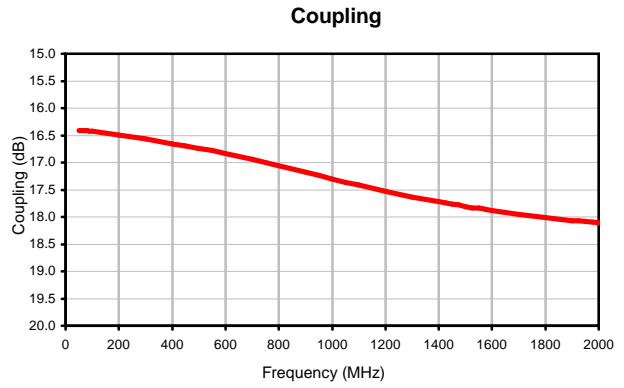
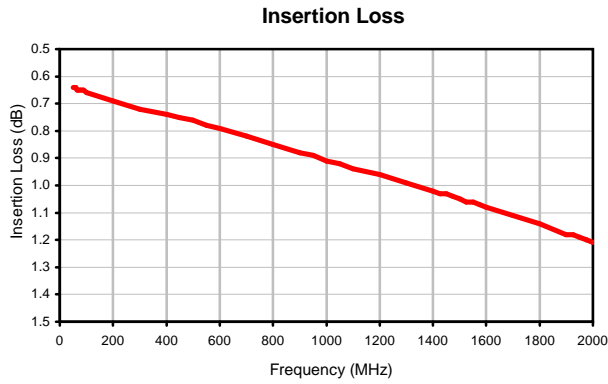
P.O. Box 350166, Brooklyn, New York 11235-0003 (718) 934-4500 Fax (718) 332-4661



The Design Engineers Search Engine finds the model you need, Instantly • For detailed performance specs & shopping online see

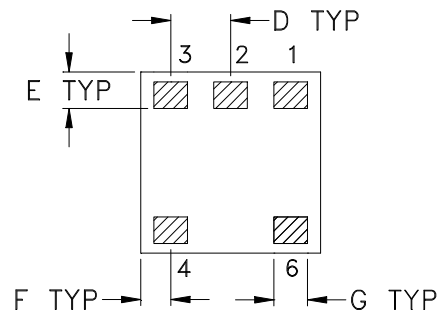
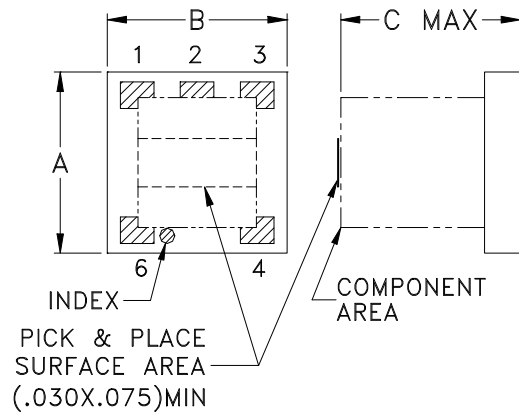


Typical Performance Curves

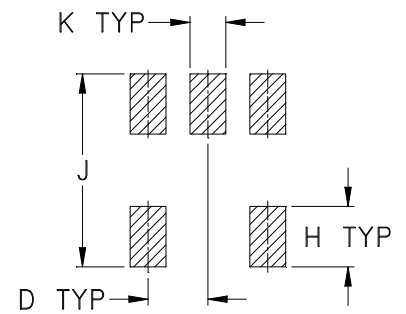


Outline Dimensions

AT790-1



PCB Land Pattern



Suggested Layout,
Tolerance to be within $\pm .002$

CASE #	A	B	C	D	E	F	G	H	J	K	L	WT. GRAMS
AT790-1	.150 (3.81)	.150 (3.81)	.150 (3.81)	.050 (1.27)	.030 (0.76)	.025 (0.64)	.028 (0.71)	.050 (1.27)	.160 (4.06)	.030 (0.76)	-- --	.10

Dimensions are in inches (mm). Tolerances: 2 Pl. $\pm .01$; 3 Pl. $\pm .005$

Notes:

1. Open style, Ceramic base.
2. Termination finish: Silver palladium or gold over nickel based on stock availability



P.O. Box 350166, Brooklyn, New York 11235-0003 (718) 934-4500 Fax (718) 332-4661 For detailed performance specs & shopping online see Mini-Circuits web site

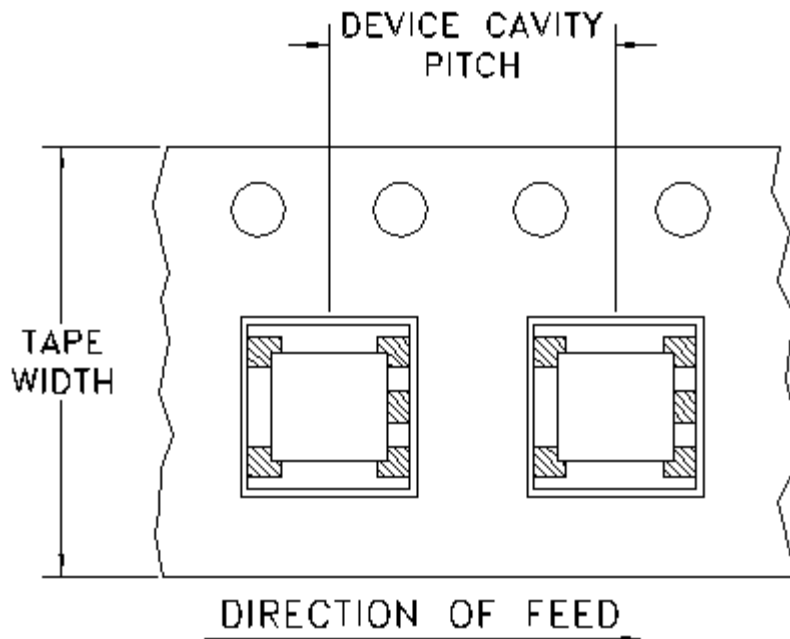


The Design Engineers Search Engine Provides ACTUAL Data Instantly From MINI-CIRCUITS At: www.minicircuits.com

RF/IF MICROWAVE COMPONENTS

Tape & Reel Packaging TR-F17

DEVICE ORIENTATION IN T&R



Tape Width, mm	Device Cavity Pitch, mm	Reel Size, inches	Devices per Reel	
12	8	7	Small quantity standards (see note)	20
				50
				100
				200
				500
		13	Standard	1000
			2000	

Note: Please Consult individual model data sheet to determine device per reel availability.

Mini-Circuits carrier tape materials provide protection from ESD (Electro-Static Discharge) during handling and transportation. Tapes are static dissipative and comply with industry standards EIA-481/EIA-541.

Go to: www.minicircuits.com/pages/pdfs/tape.pdf



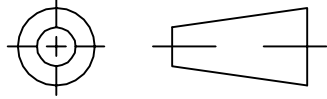
P.O. Box 350166, Brooklyn, New York 11235-0003 (718) 934-4500 Fax (718) 332-4661 For detailed performance specs & shopping online see Mini-Circuits web site



The Design Engineers Search Engine Provides ACTUAL Data Instantly From MINI-CIRCUITS At: www.minicircuits.com

RF/IF MICROWAVE COMPONENTS

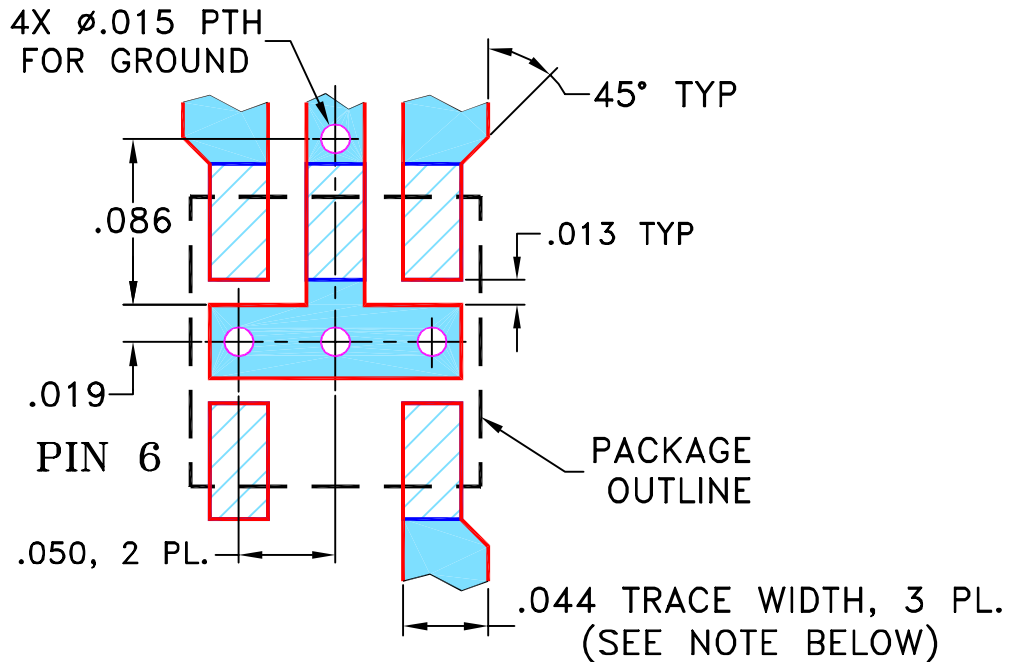
THIRD ANGLE PROJECTION



REVISIONS

REV	ECN No.	DESCRIPTION	DATE	DR	AUTH
OR	M90454	NEW RELEASE	01/16/04	AV	WP
A	M93049	AT1030 WAS AT1029	07/02/04	MMG	WP
B	M102713	ADDED "...WITH SMOBC"	01/17/06	MMG	IL

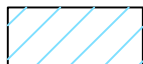
SUGGESTED MOUNTING CONFIGURATION FOR AT1030 CASE STYLE, "na" PIN CONNECTION



- NOTES: 1. TRACE WIDTH IS SHOWN FOR ROGERS RO4350B WITH DIELECTRIC THICKNESS 0.020" ± 0.0015"; COPPER: 1/2 OZ. EACH SIDE. FOR OTHER MATERIALS TRACE WIDTH MAY NEED TO BE MODIFIED.
 2. BOTTOM SIDE OF THE PCB IS CONTINUOUS GROUND PLANE.



DENOTES PCB COPPER LAYOUT WITH SMOBC (SOLDER MASK OVER BARE COPPER)



DENOTES COPPER LAND PATTERN FREE OF SOLDER MASK

UNLESS OTHERWISE SPECIFIED	INITIALS	DATE
DIMENSIONS ARE IN INCHES	DRAWN AV	01/08/04
TOLERANCES ON:	CHECKED IL	01/16/04
2 PL DECIMALS ±	APPROVED WP	01/16/04
3 PL DECIMALS ± .005		
ANGLES ±		
FRACTIONS ±		



Mini-Circuits®

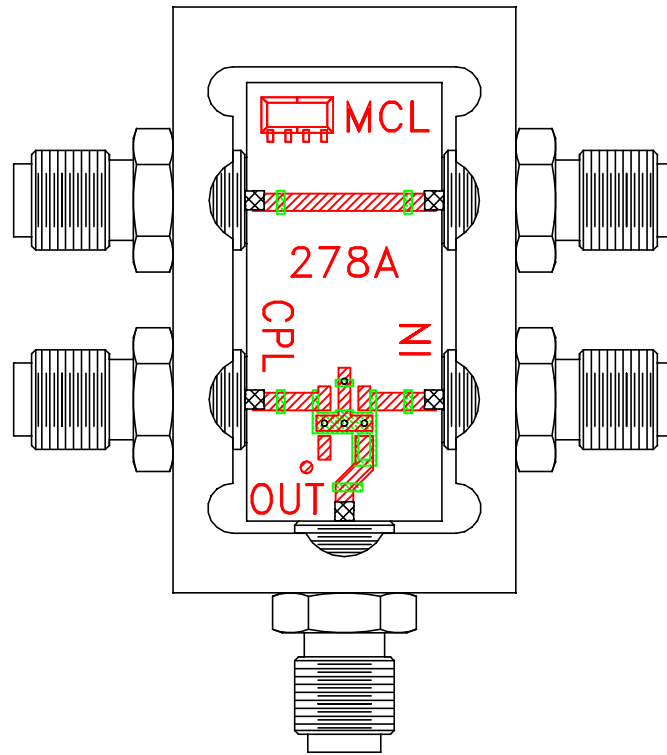
13 Neptune Avenue
Brooklyn NY 11235

PL, na, AT1030, DBTC, TB-278

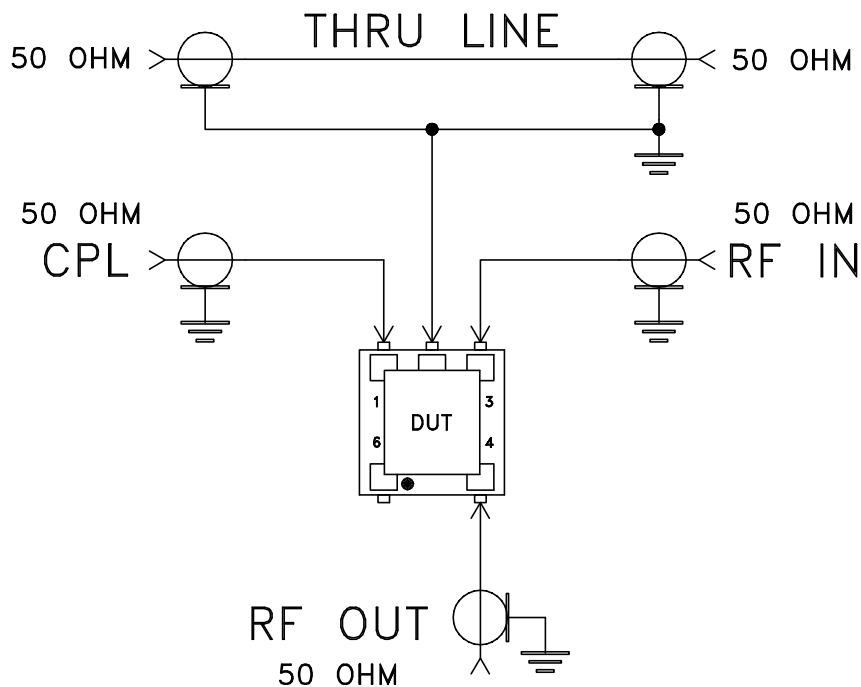
SIZE	CODE IDENT	DRAWING NO:	REV:
A	15542	98-PL-150	B
FILE:	98PL150	SCALE:	SHEET:
		10:1	1 OF 1

Mini-Circuits®
 THIS DOCUMENT AND ITS CONTENTS ARE THE PROPERTY OF MINI-CIRCUITS. EXCEPT FOR USE EXPRESSLY GRANTED, IN WRITING, TO ITS VENDORS, VENDEE AND THE UNITED STATES GOVERNMENT, MINI-CIRCUITS RESERVES ALL PROPRIETARY DESIGN, USE, MANUFACTURING AND REPRODUCTION RIGHTS THERETO. THESE CONTENTS SHALL NOT BE USED, DUPLICATED OR DISCLOSED TO ANY OUTSIDE PARTY, IN WHOLE OR IN PART, WITHOUT WRITTEN PERMISSION OF MINI-CIRCUITS.

Evaluation Board and Circuit




TB-278



Schematic Diagram

Notes:

1. 50 Ohm SMA Female connectors.
2. PCB Material: Rogers R04350B or its equivalent, Dielectric Constant=3.5, Thickness=.020"

 **Mini-Circuits®**



All Mini-Circuits products are manufactured under exacting quality assurance and control standards, and are capable of meeting published specifications after being subjected to any or all of the following physical and environmental test.

Specification	Test/Inspection Condition	Reference/Spec
Operating Temperature	-40° to 85°C Ambient Environment	Individual Model Data Sheet
Storage Temperature	-55° to 100° C Ambient Environment	Individual Model Data Sheet
Humidity	90 to 95% RH, 240 hours, 50°C	MIL-STD-202, Method 103, Condition A, Except 50°C and end-point electrical test done within 12 hours
Thermal Shock	-55° to 100°C, 100 cycles	MIL-STD-202, Method 107, Condition A-3, except +100°C
Solder Reflow Heat	Sn-Pb Eutetic Process: 225°C peak Pb-Free Process 245° - 250°C peak	J-STD-020, Table 4-1, 4-2 and 5-2, Figure 5-1
Solderability	10X Magnification	J-STD-002, 95% Coverage
Vibration (High Frequency)	20g peak, 10-2000 Hz, 12 times in each of three perpendicular directions (total 36)	MIL-STD-202, Method 204, Condition D
Mechanical Shock	50g, 11 ms, 1/2-sine, 18 shocks: 3 each direction, each of 3 axes	MIL-STD-202, Method 213, Condition A
Marking Resistance to Solvents	Isopropyl alcohol + mineral spirits at 25°C; terpene defluxer at 25°C; distilled water + proylene glycol monomethyl ether + monoethanolamine at 63°C to 70°C	MIL-STD-202, Method 215